

**FOSTEX**

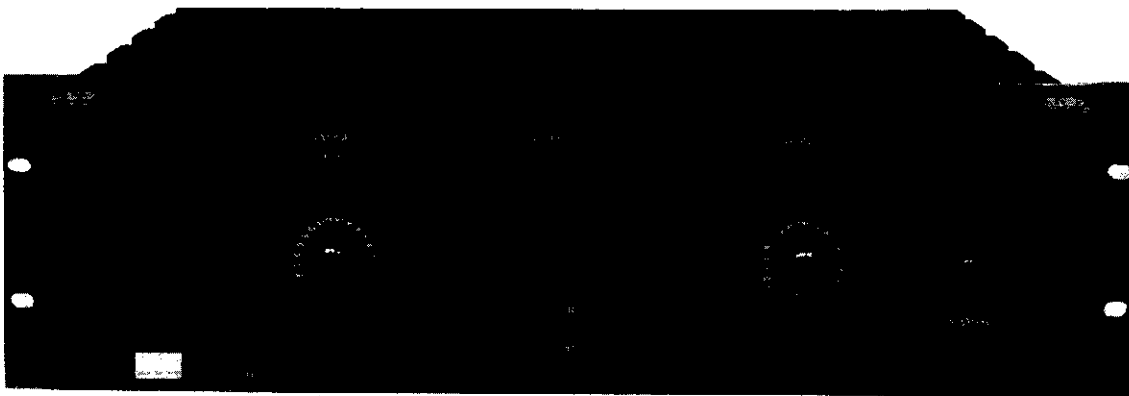
**MODEL 600/300**

*Professional 2-Channel Power Amplifier*

**Instruction &  
Service Manual**



**MODEL 300**



**MODEL 600**

## CONTENTS

	Page
1. DESCRIPTION.....	3, 4
2. SPECIFICATIONS.....	5-7
3. INPUT CONNECTIONS.....	8, 9
4. OUTPUT CONNECTIONS.....	10
5. AC POWER VOLTAGE CONVERSION.....	11
6. OPERATION.....	12, 13
7. ALIGNMENT PROCEDURES.....	14
8. SEMICONDUCTOR LEAD IDENTIFICATION.....	15
9. P.C. BOARD PARTS LAYOUT.....	15, 16
10. PARTS LIST.....	17-26
11. SCHEMATIC DIAGRAM.....	27

## DESCRIPTION

A truly integrated power amplifier the FOSTEX Models 600/300 incorporate 3-step Darlington circuitry that is push-pull in all stages, designed with minimal surfaces it obsoletes every other power amplifier available. And, beneath its smart case there's a big damping factor, expansive power bandwidth, and some of the most fascinating technology yet developed.

This highly sophisticated, full capacity power amplifier made to the most exacting standards employs a massive toroidal mains power source transformer—Model 600/1.3KVA, Model 300/700VA. Musicians and sound engineers are assured top performance of continuous high power output by an enormous heatsink output transistor—Model 600/6100cm<sup>2</sup>, Model 300/3700cm<sup>2</sup>.

Superior reproduction is brought about through level adjustment of both channels by use of detent volume calibrated in decibel increments.

And, to acknowledge receptivity, an LED level indicator blinks indicating peak levels. Featuring peak hold log amp IC indications are made in 10dB steps in the 0dB to 40dB range.

Two red L.E.D. overload indicators on the front panel of the Model 600/300 utilize an exclusive FOSTEX circuit. Whenever either channel of the 600/300 is driven into overload, a corresponding indicator lights and remains lit for 0.25 seconds. These indicators, which actually indicate loss of feedback, tell the operator that the amplifier is being overdriven, and can be invaluable to the engineer or audiophile who must be sure that every component in his system is producing a clean, distortion-free signal. An inadvertent short-circuited output (with signal) will cause the L.E.D. to remain on until the short is removed.

The output stages of your amplifier use the most durable type of transistors available. These large geometry, complementary power devices have large safe operating area and extended power bandwidth. Electrostatic and other highly reactive speaker systems present no difficulties for the Models 600/300.

All of the semiconductors in the output stage are in intimate contact with the heatsink. The bias circuit is also mounted on this isotherm to provide rock steady bias stability with temperature.

The especially elaborated circuit design of models 600/300 makes for an extremely low Total Harmonic Distortion up to high frequencies, a large damping factor, and a greatly broad power band width.

## PROTECTION CIRCUITS

Models 600/300 have two built-in overload thermal protection for abnormal operation. One is installed with heatsink (operating temp. 90°C) and the other is installed in the power transformer (operating tem. 135°C.) These protectors are auto reset type. If either or both protectors go off, check ventilation and speaker connections.

The current limiter circuit of output transistors is especially designed for models 600/300. If any load will be connected to the output, the current limiter circuit controls the current of which do not exceed the SAFETY OPERATION AREA of output transistors in proportion to the load. This circuit activates below 2.7Ω load.

Let the latest space-age computer technology of FOSTEX protect your sound system and offer you the superb sonic qualities needed to command any recording/monitoring situation in the studio.

## **SPECIFICATIONS: FOSTEX MODELS 600/300**

### **OUTPUT POWER**

200/100 watts minimum sine wave continuous average power output per channel with both channels driving 8-ohm loads over a power band from 20Hz to 20kHz. The maximum Total Harmonic Distortion at any power level from 150/150 milliwatts to 200/100 watts shall be no more than 0.02/0.02%.

1kHz Power: 240/120 watts into 8-ohm per channel, both channels driven,  
0.005/0.005% Total Harmonic Distortion

300/150 watts minimum sine wave continuous average power output per channel with both channels driving 4-ohm loads over a power band from 20Hz to 20kHz. The maximum Total Harmonic Distortion at any power level from 150/150 milliwatts to 300/150 watts shall be no more than 0.05/0.05%.

1kHz Power: 360/180 watts into 4-ohm per channel, both channels driven,  
0.05/0.05% Total Harmonic Distortion

600/300 watts minimum sine wave continuous average power output monaural driving an 8-ohm load over a power band from 20Hz to 20kHz. The maximum Total Harmonic Distortion at any power level from 250/250 milliwatts to 600/300 watts shall be no more than 0.05/0.05%.

1kHz Power: 720/360 watts into 8-ohm, 0.05/0.05% Total Harmonic Distortion

All specifications and features are subject to change without notice.

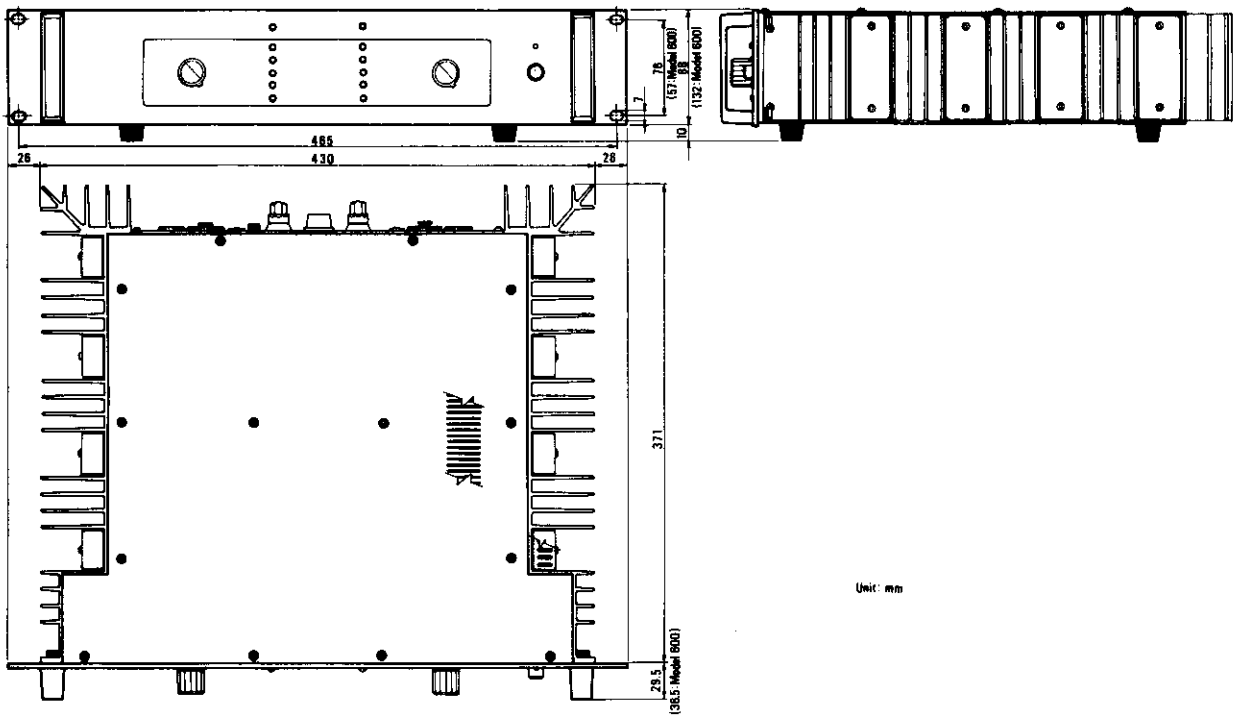
## SPECIFICATIONS

### MODELS: 600/300

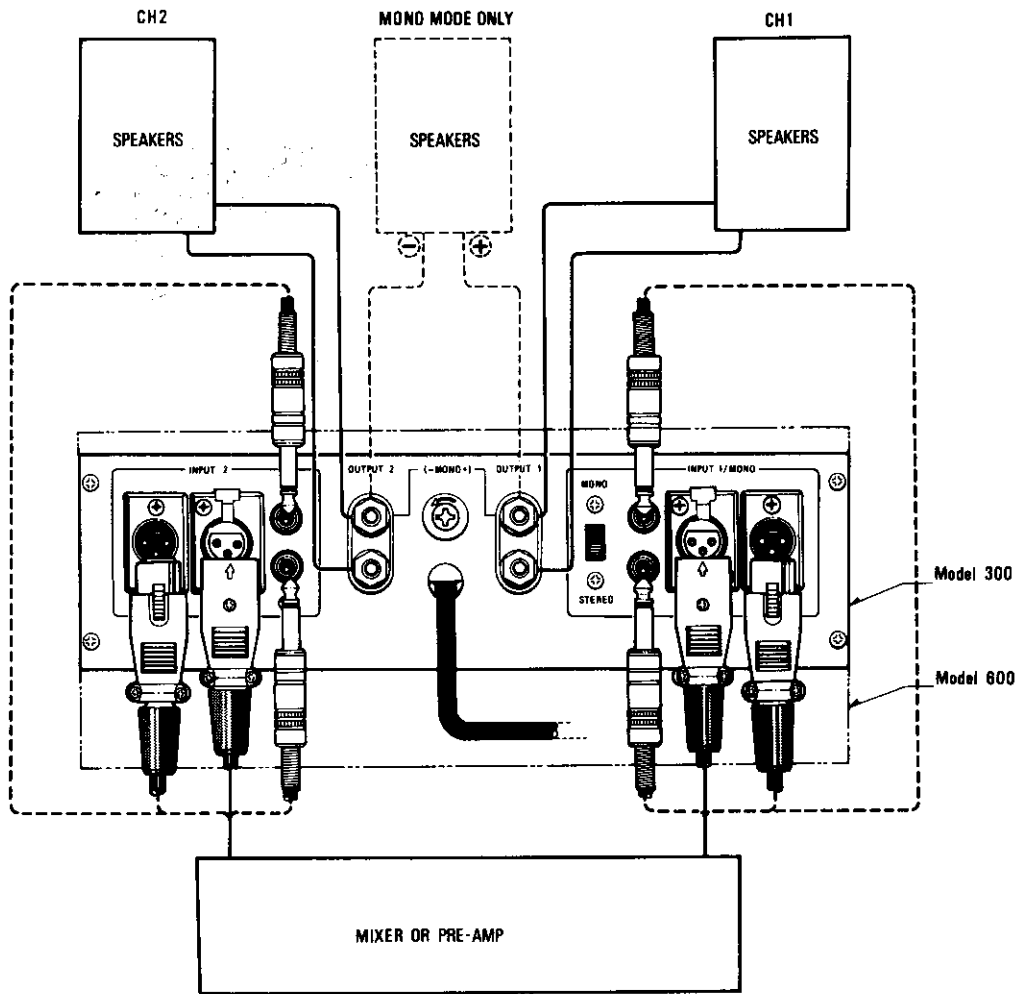
IM Distortion .....	0.05% from 250 mW to rated power at 8Ω with any 2 mixed frequencies between 10 Hz and 30 kHz at 4/1 voltage ratio
Frequency Response at rated power .....	10 Hz to 70 kHz (+0 dB, -0.5 dB)
Hum and Noise (Equivalent Input Noise) .....	93 dB (Unweighted) 103 dB (IHF-A weighted)
Power Bandwidth (IHF THD 0.1%) .....	5 Hz-50 kHz
Transient Response of any Square Wave ....	1.5 μ seconds rise and fall time
Stability .....	unconditionally stable with any type of load or no load including fullrange electrostatic loudspeakers
Damping Factor .....	150 min. (8Ω 20 Hz to 20 kHz) 75 min. (4Ω 20 Hz to 20 kHz)
Input Sensitivity .....	0.8 volts for rated output at 8Ω
Input Impedance .....	10 KΩ
Semiconductor Complement .....	75 Tr. 60 D. 1 IC (for model 600) 67 Tr. 60 D. 1 IC (for model 300)
Overload Protections .....	1. Low impedance electronic-sensing circuit limits with output current below 2Ω without limiting with 4Ω or higher (or reactive loads) 2. Thermal sensing of inadequate ventilation
Loudspeaker protections .....	Relay circuit protects loudspeakers from low frequency oscillations and plus or minus DC output. Five seconds turn on delay eliminates transient disturbances.

Shipping Weight..... 18 Kg (for model 600)  
 13 Kg (for model 300)  
 Dimensions..... 48.2(W) x 13.2(H) x 37.6(D) cm (for model 600)  
 48.2(W) x 8.8(H) x 37.6(D) cm (for model 300)  
 excluding controls, handles and connections

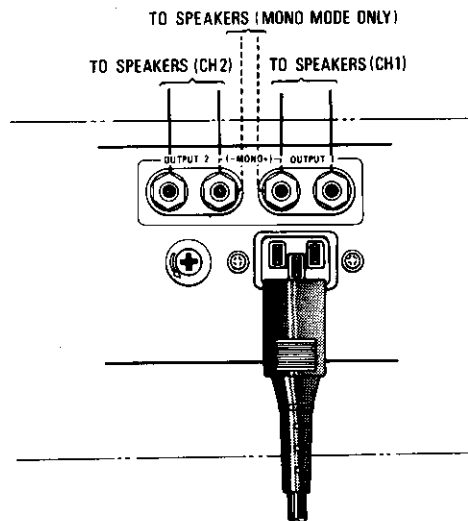
### Dimensions of Models 600/300



# CABLE CONNECTIONS



ALTERNATE SPEAKER TERMINAL, POWER LINE CONNECTOR AND FUSEHOLDER FOR EUROPEAN VERSION (SERIAL NUMBER: 9070156 & UP).

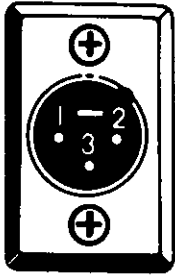




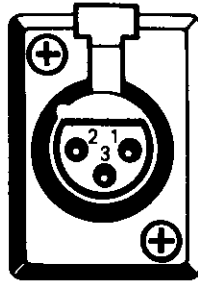
## INPUT CONNECTIONS

There are two XLR type (unbalanced) input connectors on the rear of the unit. One is "male" and the other is "female" plus two parallel phone jacks.

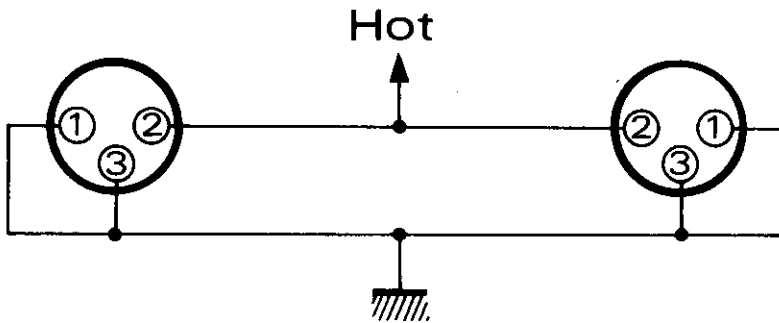
The internal wiring of XLR type connectors are follows.



male



female



### BRIDGE MODE (MONO)

Follow the same procedure as outlined for 2-Channel (STEREO) mode, but use only one shielded cable plugged into the CHANNEL-1 input. Do not connect anything to the CHANNEL-2 input.

#### Note:

If you want to operate the bridge mode with making connections both CHANNEL-1 and -2 inputs, leave the Level Control of CHANNEL-2 in the fully counterclockwise ( $-\infty$ dB) position during the MONO operation.

## **OUTPUT CONNECTIONS — 2-CHANNEL MODE (STEREO)**

Connect the left speaker to the binding posts marked OUTPUT 1 and the right speakers to the binding posts marked OUTPUT 2.

Observe the phasing of the speakers. Most connectors on speaker cabinets are either color coded or marked +, -.

Connect the black or minus (-) terminal on the speaker cabinet to the black binding post on the amplifier. Connect the other speaker terminal to the fuseholder, if required, and the fuseholder to the red binding post. Check to see that the MONO-STEREO switch on the rear of the amplifier is in the STEREO position.

Ideally, the output leads should be connected to the amplifier with standard banana plugs; however, the five way action of the binding posts permit the use of tinned wires or spade lugs. Remember, of course, to put a fuse in series with the load.

### **CAUTION — HAZARDOUS ENERGY**

Any high power amplifier is capable of destroying almost any loudspeaker, so that using these amplifiers, do not exceed the speaker's capability or suitable fusing must be required.

## **OUTPUT CONNECTIONS — BRIDGE MODE (MONO)**

Follow the same procedure as outlined for 2-channel mode, but connect the single output across the two red binding posts of the OUTPUT 1 and OUTPUT 2. Do not connect anything to the OUTPUT 1 or OUTPUT 2 ground binding posts.

Designate the OUTPUT 1 red binding post plus (+) and the OUTPUT 2 red binding post minus (-). A fuse is required in only one load.

Check to see that the MONO-STEREO switch on the rear of the amplifier is in the MONO position.

## AC POWER VOLTAGE CONVERSION

NOTICE: VOLTAGE CONVERSION SHOULD BE DONE BY A FOSTEX AUTHORIZED DISTRIBUTOR AND THEIR FRANCHISE DEALERS.

AC power voltage is able to convert either 110-120 volts or 220-240 volts. If you want to convert the AC power voltage, please consult with your dealer.

To convert the AC power voltage, some exclusive parts are required.

### POWER MAINS FUSE:

110—120V: 15A (6A)

220—240V: 6.3A (3.15A)

(        ) : for Model 300 only

## OPERATION

After all connections have been made to the power amplifier, turn the level controls fully counter-clockwise ( $-\infty$ dB).

Turn on the preamplifier, then turn on the power amplifier.

The red POWER L.E.D. indicator light on the front panel should light. If it does not, check to see that the amplifier is plugged in to a live power outlet.

With preamplifier level controls fully off, advance the CHANNEL 1 and CHANNEL 2 power amplifier level controls about half way clockwise (slot in knob facing upwards). There should be no audible hum; if hum is heard, check the connections between the power amplifier and preamplifier. Now advance the preamplifier level controls until the desired maximum volume is achieved. Should the preamplifier level control be in excess of the 3/4 setting, decrease it to half volume and increase the level control of the power amplifier to the desired level.

The front panel L.E.D. level indicators are calibrated when the level indicator shows 0dB, at that time, the peak output voltage should be at  $40\sqrt{2}$  volts (in case of model 600) or 40 volts (in case of model 300).

If full power output is unobtainable, check to see that the preamplifier is capable of producing the required driving voltage as stated in the Specifications Section.

The amplifier incorporates a time delay network and a relay which connects the speakers only after the amplifier has stabilized thus eliminating transients.

Often, turn-on transients originate in the pre-amp or tuner.

This is especially true of tube-type units. If this situation arises, turn the amplifier on after the other units have had adequate time to stabilize.

The models 600/300 have log-linear input attenuators to complement its peak-reading meters. The input attenuators are marked in 22 dB steps, stepped for very accuracy, 1dB steps from 0dB to -20dB for convenience reference. DB calibrated input attenuators have numerous advantages. In multi-channel systems (using of two or more seperate amplifier which have different gain), they allow easy, accurate input sensitivity adjustments and let operators simultaneously adjust the level of two channels (or two programs on separate amplifiers) with precise tracking.

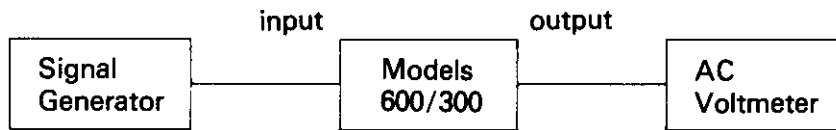
## ALIGNMENT PROCEDURES

### BIAS ADJUSTMENT

Note: Both CHANNEL 1 and CHANNEL 2 level controls should be in fully counterclockwise position ( $-\infty$  db).

Indicator	Adjustment	Remarks
DC Voltmeter	VR601a (CHANNEL 1) VR601b (CHANNEL 2)	Adjust for 5-10 mV reading on DC Voltmeter across R634a (CHANNEL 1) or R634b (CHANNEL 2) with no load.

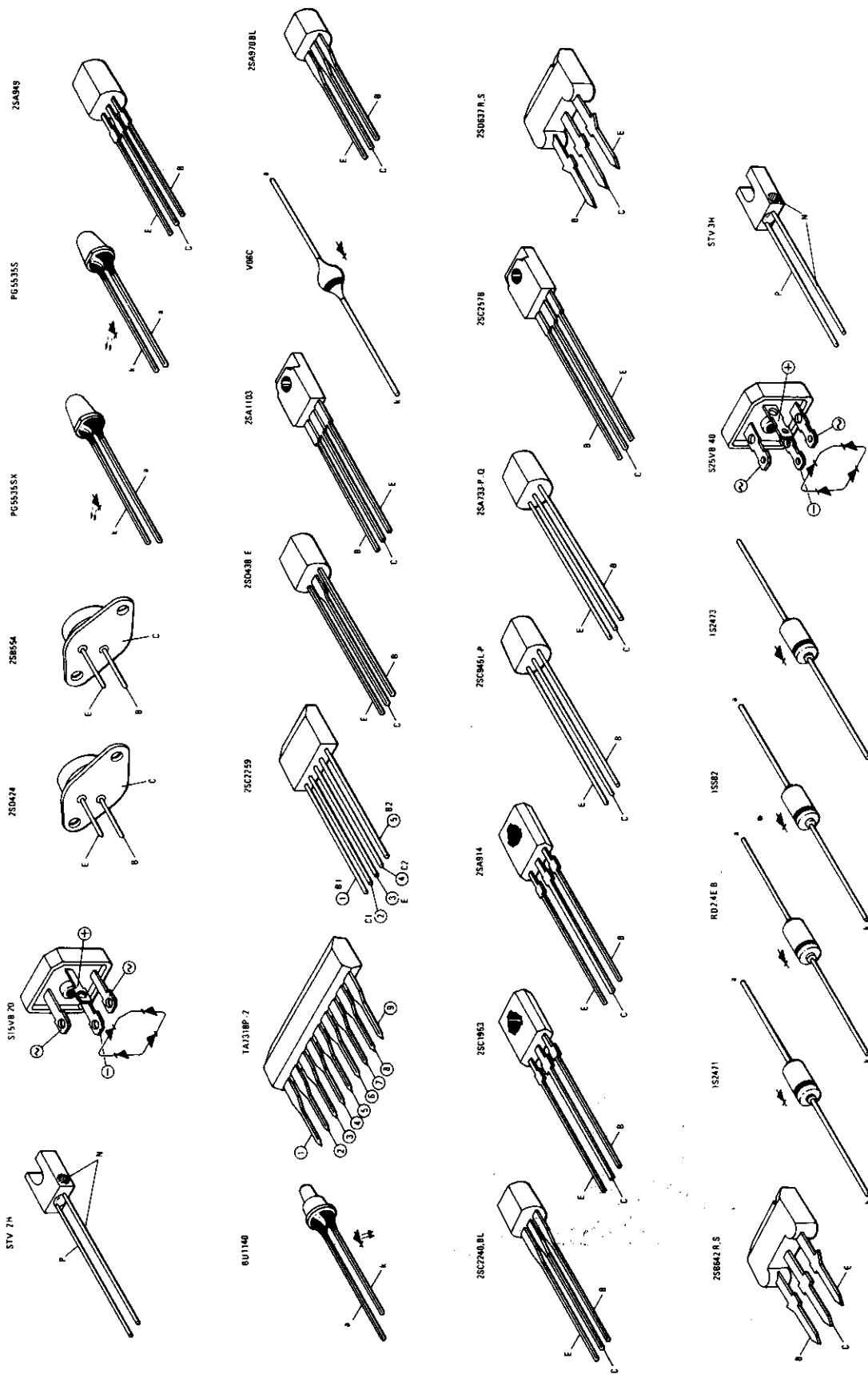
### CALIBRATION OF L.E.D. LEVEL INDICATORS



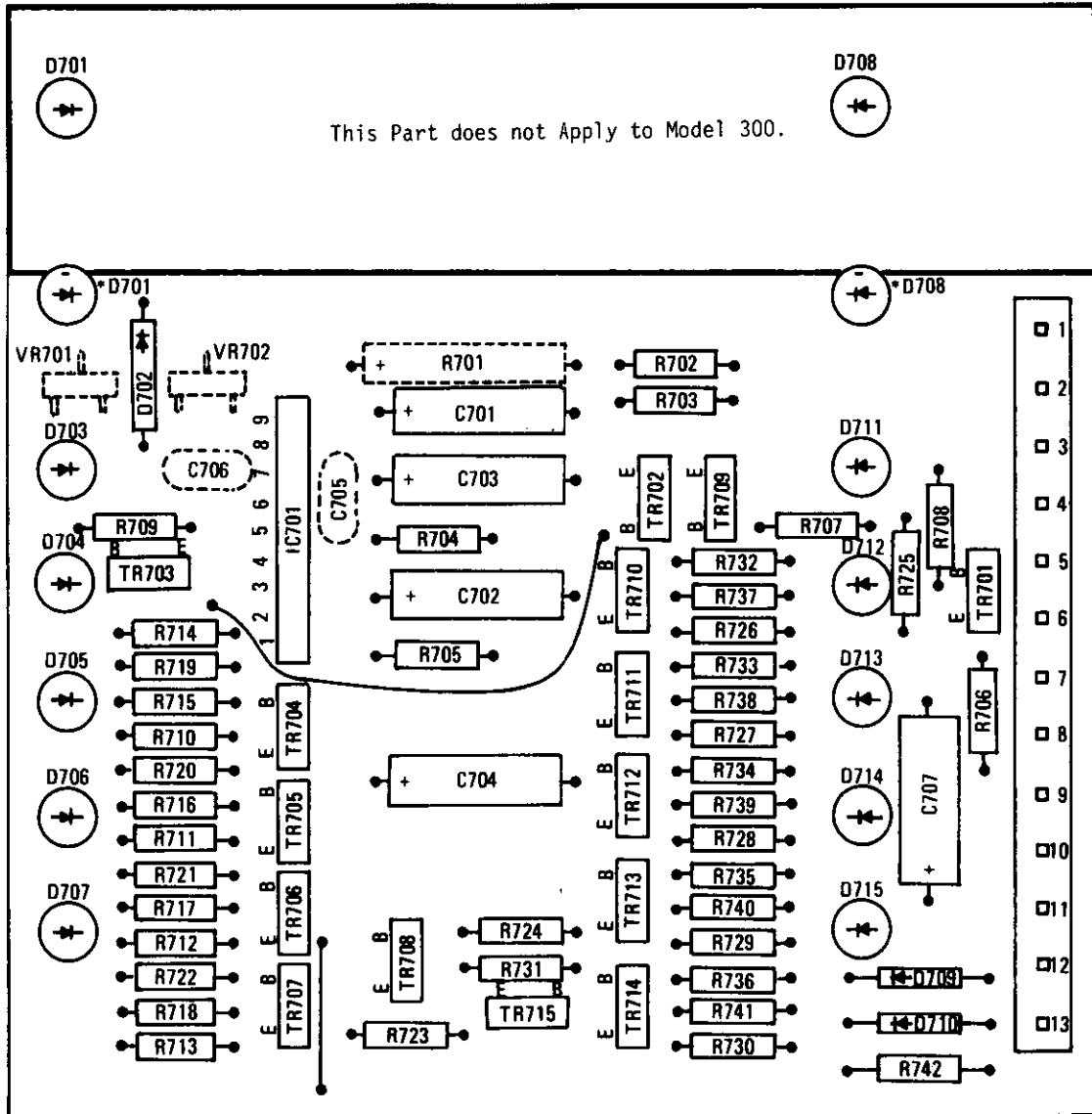
Alignment connections

STEP	Signal Generator Frequency set to	Output Indicator	Adjustment	Adjust for
1	1 kHz (Sine Wave)	AC Voltmeter connected to CHANNEL 1 or 2	Signal Generator output	Adjust for 40 VRMS (Model 600), 28.3V RMS (Model 300) on AC Voltmeter with no load.
2	Same as STEP 1	Same as STEP 1	Same as STEP 1	Adjust for 28.3V RMS (Model 600), 20V RMS (Model 300). This means $-3$ dB output level compared with STEP 1.
3	Same as STEP 1	LED level Ind. CHANNEL 1 or 2	VR701 or VR702	Adjust for very weak brightness on 0 dB Indicator LED with output signal level of above STEP 2.
4	Same as STEP 1	Same as STEP 3		Check up the 0 dB indicator LED brightness is the same as other LED's with output level of above STEP 1.

# SEMICONDUCTOR LEAD IDENTIFICATION



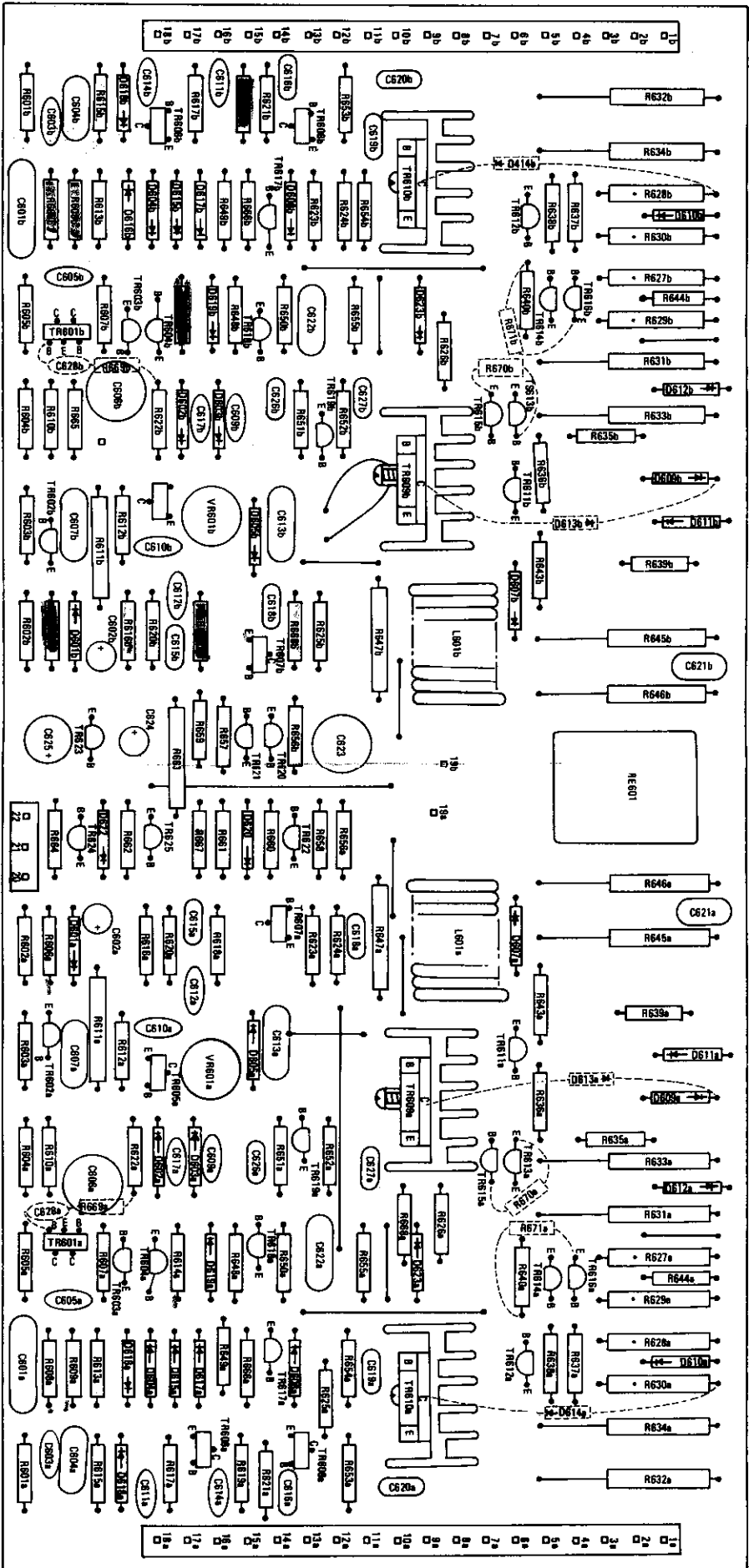
# LED LEVEL INDICATOR BOARD (# 7205)



Note. \*D701, D702 Model 300 Only



# MAIN AMP BOARD (# 6076)



Note: \*R627a,b-R630a,b Not Used in Model 300

## ELECTRICAL PARTS LIST

## CAPACITORS

Ref. No.	Value (F)	Voltage (V)	Tolerance (%)	Material
C601a,b	1 $\mu$	100	$\pm 10$	Polyester
C602a,b	"	50	+75,-10	Electrolytic
C603a,b	180p	500	$\pm 10$	Ceramic
C604a,b	0.1 $\mu$	50	"	Polyester
C605a,b	82p	500	"	Ceramic
C606a,b	100 $\mu$	16	$\pm 20$	Electrolytic
C607a,b	0.1 $\mu$	50	$\pm 10$	Polyester
C609a,b	10p	500	$\pm 10$	Ceramic
C610a,b	180p	"	"	"
C611a,b	"	"	"	"
C612a,b	"	"	"	"
C613a,b	0.1 $\mu$	50	"	Polyester
C614a,b	180p	500	"	Ceramic
C615a,b	1000p	50	"	Polyester
C616a,b	"	"	"	"
C617a,b	Not Used			
C618a,b	1000p	50	$\pm 10$	Polyester
C619a,b	"	"	"	"
C620a,b	0.047 $\mu$	"	"	"
C621a,b	"	"	"	"
C622a,b	0.1 $\mu$	"	"	"
C623	100 $\mu$	16	$\pm 20$	Electrolytic
C624	2.2 $\mu$	50	+75,-10	"
C625	22 $\mu$	35	+50,-10	"
C626a,b	2200p	50	$\pm 10$	Polyester
C627a,b	"	"	"	"
C628a,b	300p	"	"	Ceramic
C701	100 $\mu$	25	+50,-10	Electrolytic
C702	0.47 $\mu$	50	+75,-10	"
C703	"	"	"	"
C704	1 $\mu$	"	"	"

CAPACITORS				
Ref. No.	Value (F)	Voltage (V)	Tolerance (%)	Material
C705	1800p	50	±10	Polyester
C706	"	"	"	"
C707	22μ	25	+50,-10	Electrolytic
C851	18000μ	100(71)	+50,-10	Electrolytic
C852	"	" ( " )	"	"

COILS & TRANSFORMERS		
Ref. No.	Description	Mfr's Part No.
L601a,b	Choke Coil 1μH Power Transformer	35199006 35900332

DIODES			
Ref. No.	Type No.	Manufacturer	Mfr's Part No.
D601a,b	RD24E-B	NEC	30600781
D602a,b	1S2473	Toyo Electronics Corp.	30601781
D603a,b	1SS82	Hitachi Ltd.	30601201
D604a,b	"	"	"
D605a,b	1S2473	Toyo Electronics Corp.	30601781
D606a,b	STV-2H	Sanken	30601611
D607a,b	1S2473	Toyo Electronics Corp.	30601781
D608a,b	"	"	"
D609a,b	"	"	"
D610a,b	"	"	"
D611a,b	1S2471	"	30601771
D612a,b	"	"	"
D613a,b	V06C	Hitachi Ltd.	30600030
D614a,b	"	"	"
D615a,b	1S2473	Toyo Electronics Corp.	30601781
D616a,b	"	"	"
D617a,b	"	"	"
D618a,b	"	"	"
D619a,b	"	"	"

( ): For model 300 only

DIODES			
Ref. No.	Type No.	Manufacturer	Mfr's Part No.
D620	1S2473	Toyo Electronics Corp.	30601781
D622	1S2471	Toyo Electronics Corp.	30601771
D623a,b	1S2473	"	30601781
D651a,b	STV-3H	Sanken	30600881
D701	LED PR5535S	Stanley	30601631
D702	1S2473	Toyo Electronics Corp.	30601781
D703	LED PG5535SX	Stanley	30601621
D704	"	"	"
D705	"	"	"
D706	"	"	"
D707	"	"	"
D708	LED PR5535S	"	30601631
D709	V06C	Hitachi Ltd.	30600030
D710	"	"	"
D711	LED PG5535SX	Stanley	30601621
D712	"	"	"
D713	"	"	"
D714	"	"	"
D715	"	"	"
D751	LED BU1140	Stanley	30601641
D851	S25VB40(S15VB20)	Shindengen	30601101(30601601)

IC			
Ref. No.	Type No.	Manufacturer	Mfr's Part No.
IC701	TA7318P-2	Toshiba	30900650

RELAY		
Ref. No.	Description	Mfr's Part No.
RE601	MY4-02US-SN2DC48V	82000220

( ): For model 300 only

RESISTORS				
Ref. No.	Value (ohm)	Wattage (W)	Tolerance (%)	Material
R601a,b	3.3k	1/4	±5	Carbon
R602a,b	13K	1/2	"	"
R603a,b	30k	"	"	"
R604a,b	220(330)	"	"	"
R605a,b	22k	"	"	"
R606a,b	3.3k	"	"	"
R607a,b	470	"	"	"
R608a,b	2.2k	"	"	"
R609a,b	"	"	"	"
R610a,b	220(330)	"	"	"
R611a,b	6.2k(3.9K)	2	"	Metal
R612a,b	1.8k	1/2	"	Carbon
R613a,b	"	"	"	"
R614a,b	"	"	"	"
R615a,b	"	"	"	"
R616a,b	100	"	"	"
R617a,b	"	"	"	"
R618a,b	1k	"	"	"
R619a,b	"	"	"	"
R620a,b	10	"	"	"
R621a,b	"	"	"	"
R622a,b	22k	"	"	"
R623a,b	220	"	"	"
R624a,b	33	"	"	"
R625a,b	"	"	"	"
R626a,b	"	"	"	"
R627a,b	0.47	2 (3)	"	Metal
R628a,b	"	" (")	"	"
R629a,b	"	" (")	"	"
R630a,b	"	" (")	"	"
R631a,b	0.47(Not Used)	"	"	"
R632a,b	" ( " )	"	"	"
R633a,b	" ( " )	"	"	"
R634a,b	" ( " )	"	"	"

( ): For model 300 only

RESISTORS				
Ref. No.	Value (ohm)	Wattage (W)	Tolerance (%)	Material
R635a,b	1k	1/2	±5	Carbon
R636a,b	"	"	"	"
R637a,b	"	"	"	"
R638a,b	"	"	"	"
R639a,b	4.7k(6.2k)	"	"	"
R640a,b	" ( " )	"	"	"
R643a,b	330(220)	"	"	"
R644a,b	" ( " )	"	"	"
R645a,b	20	3	"	Metal
R646a,b	"	"	"	"
R647a,b	10	2	"	"
R648a,b	10k	1/2	"	Carbon
R649a,b	30k	"	"	"
R650a,b	"	"	"	"
R651a,b	68k	"	"	"
R652a,b	10k	"	"	"
R653a,b	2.2k(1.6k)	"	"	"
R654a,b	" ( " )	"	"	"
R655a,b	" ( " )	"	"	"
R656a,b	47k	"	"	"
R657	68k	"	"	"
R658	"	"	"	"
R659	10k	"	"	"
R660	"	"	"	"
R661	330k	"	"	"
R662	"	"	"	"
R663	1.6k(820)	2	"	Metal
R664	51k(68k)	1/2	"	Carbon
R665	22k	"	"	"
R666a,b	1.5k	"	"	"
R667	100	"	"	"
R668a,b	220	"	"	"
R669a,b	1k	1/4, 1/2	"	"
R670a,b	1.5k	"	"	"
R671a,b	"	"	"	"

( ): For model 300 only

## RESISTORS

Ref. No.	Value (ohm)	Wattage (W)	Tolerance (%)	Material
R701	3.3k(2.2k)	2	±5	Metal
R702	10k	1/4	"	Carbon
R703	"	"	"	"
R704	39k(30k)	"	"	"
R705	" ( " )	"	"	"
R706	12k	"	"	"
R707	4.7k	"	"	"
R708	3.3k	"	"	"
R709	1k	"	"	"
R710	"	"	"	"
R711	"	"	"	"
R712	"	"	"	"
R713	"	"	"	"
R714	4.7k	"	"	"
R715	6.8k	"	"	"
R716	10k	"	"	"
R717	"	"	"	"
R718	"	"	"	"
R719	390	"	"	"
R720	510	"	"	"
R721	"	"	"	"
R722	560	"	"	"
R723	100	"	"	"
R724	10k	"	"	"
R725	3.3k	"	"	"
R726	390	"	"	"
R727	510	"	"	"
R728	"	"	"	"
R729	560	"	"	"
R730	100	"	"	"
R731	10k	"	"	"
R732	4.7k	"	"	"
R733	6.8k	"	"	"

( ): For model 300 only

RESISTORS				
Ref. No.	Value (ohm)	Wattage (W)	Tolerance (%)	Material
R734	10k	1/4	±5	Carbon
R735	"	"	"	"
R736	"	"	"	"
R737	1k	"	"	"
R738	"	"	"	"
R739	"	"	"	"
R740	"	"	"	"
R741	"	"	"	"
R742	"	1/2	"	"

SWITCHES		
Ref. No.	Description	Mfr's Part No.
SW-1	Power Push ESB-9929S	27200128
SW-2	Thermal UK-3 90°C	30700210
SW-3	"	"
SW-4	Mono Slide	27300008

TRANSISTORS					
Ref. No.	Type No.	Manufacturer	Mfr's Part No.	Substitute	
				Type No.	Manufacturer
TR601a,b	2SC2259	Mitsubishi	30201521		
TR602a,b	2SC945	NEC	30201031	2SC1815	Toshiba
TR603a,b	2SA949	Toshiba	30000691	2SA912	Matsushita
TR604a,b	"	"	"	"	"
TR605a,b	2SC1953	Matsushita	30201221	2SD758	Hitachi
TR606a,b	2SA914	"	30000493	2SB718	"
TR607a,b	"	"	"	"	"
TR608a,b	2SC1953	"	30201221	2SD758	"
TR609a,b	2SA1103S	Sanken	30000721		
TR610a,b	2SC2578S	"	30201531		
TR611a,b	2SC945	NEC	30201031	2SC1815	Toshiba
TR612a,b	2SA733	"	30000425	2SA1015	"



TRANSISTORS					
Ref. No.	Type No.	Manufacturer	Mfr's Part No.	Substitute	
				Type No.	Manufacturer
TR613a,b	2SA733	NEC	30000425	2SA1015	Toshiba
TR614a,b	2SC945	"	30201031	2SC1815	"
TR615a,b	2SA733	"	30000425	2SA1015	"
TR616a,b	2SC945	"	30201031	2SC1815	"
TR617a,b	2SA970	Toshiba	30000673	2SA872	Hitachi
TR618a,b	2SC2240	"	30201483	2SC1775	"
TR619a,b	2SA970	"	30000673	2SA872	"
TR620	2SC2240	"	30201483	2SC1775	"
TR621	"	"	"	"	"
TR622	2SA970	"	30000673	2SA872	"
TR623	2SD438	Sanyo	30300251	2SC1509	Matsushita
TR624	2SC2240	Toshiba	30201483	2SC1775	Hitachi
TR625	2SD438	Sanyo	30300251	2SC1509	Matsushita
TR651a,b	2SB554	Toshiba	30100173	2SB600	NEC
TR652a,b	2SD424	"	30300423	2SD555	"
TR653a,b	2SB554	"	30100173	2SB600	"
TR654a,b	2SD424	"	30300423	2SD555	"
TR655a,b	2SB554 (Not Used)	"	30100173	2SB600	"
TR656a,b	2SD424 (Not Used)	"	30300423	2SD555	"
TR657a,b	2SB554 (Not Used)	"	30100173	2SB600	"
TR658a,b	2SD424 (Not Used)	"	30300423	2SD555	"
TR701	2SB642	Matsushita	30100131		
TR702	2SD637	"	30300401		
TR703	"	"	"		
TR704	"	"	"		
TR705	"	"	"		
TR706	"	"	"		
TR707	"	"	"		
TR708	"	"	"		

( ): For model 300 only

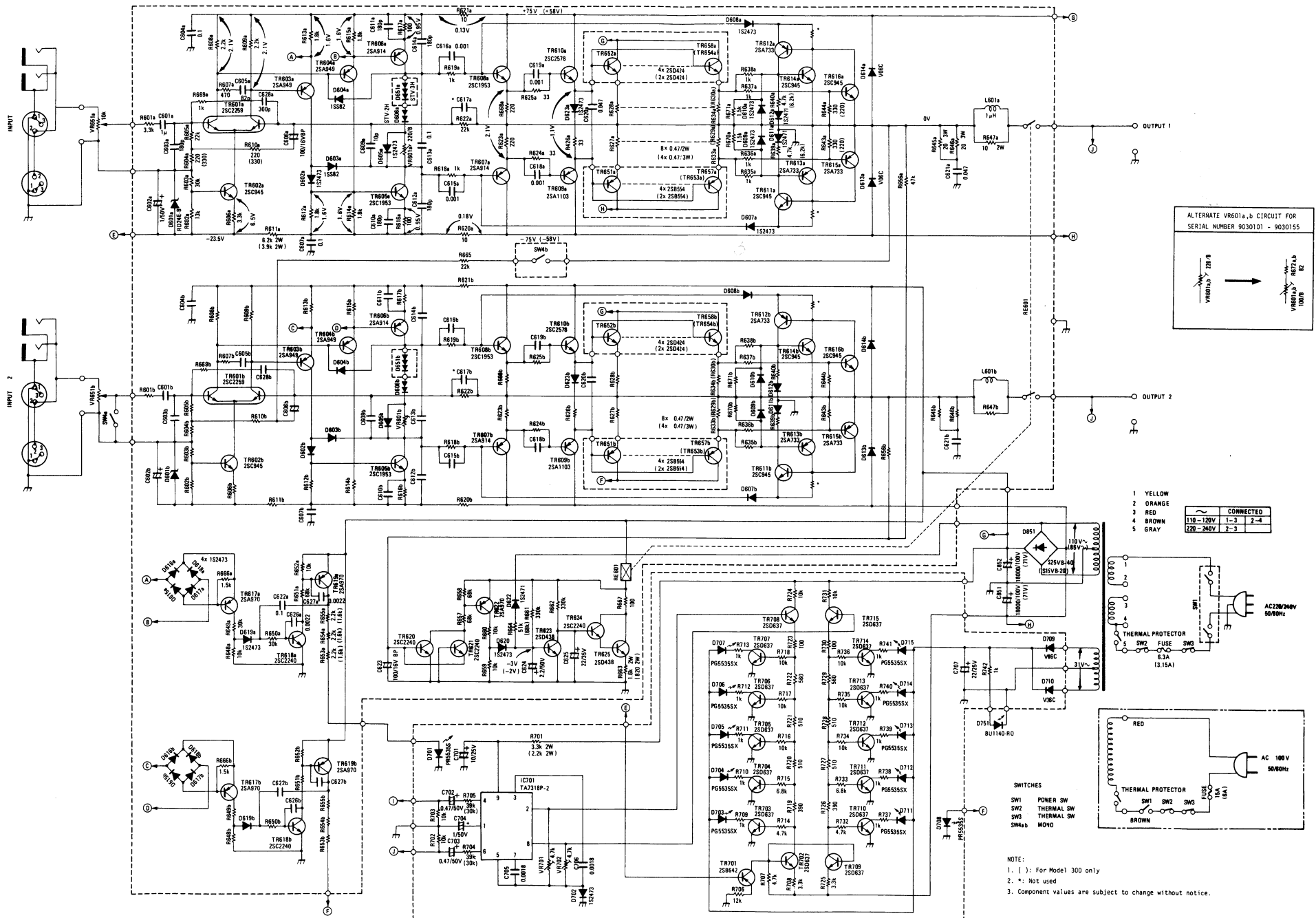
TRANSISTORS					
Ref. No.	Type No.	Manufacturer	Mfr's Part No.	Substitute	
				Type No.	Manufacturer
TR709	2SD637	Matsushita	30300401		
TR710	"	"	"		
TR711	"	"	"		
TR712	"	"	"		
TR713	"	"	"		
TR714	"	"	"		
TR715	"	"	"		

VARIABLE RESISTORS			
Ref. No.	Description		Mfr's Part No.
VR601a,b	Power TR Idling Current Adjust	220 $\Omega$	28107221
VR651a,b	Input Level Control	10k	28000178
VR701	CH 1 LED Indicator Cal.	4.7k	28108472
VR702	CH 2 LED Indicator Cal.	4.7k	"

MISCELLANEOUS PARTS LIST		
Description	Model 600 Mfr's Part No.	Model 300 Mfr's Part No.
Heat Sink No.39	15101001	Same as Model 600
Heat Sink IC-2435-ST	15122001	"
Connector Plug 18Pin	87218026	"
Connector Plug 3Pin	87203026	"
Connector WBP-1020013L	87213020	"
Rear Panel	11312C01	11311C01
Cord Stopper SR-5L-1	74129001	Same as Model 600
XLR Type Connector HA16PR-3S	33032100	"
XLR Type Connector HA16R-3S	33032200	"
5 Way Terminal	53022710	"
Dual Phone Jack	33031400	"
Fuse Holder FH033	34065001	"
AC Cord	62010012	"
PCB Fit Metal	63441001	"

Description	Model 600 Mfr's Part No.	Model 300 Mfr's Part No.
Cushion Sponge	74186001	Same as Model 600
Terminal 3P	53032610	"
Resin Foot	74038001	"
Wire Connector 3.5-R4	19111001	"
Lug M3	51036001	"
Handle	19103001	19102001
Top Plate	70036001	Same as Model 600
Bottom Plate	05061001	"
Push Knob	29370001	"
VR Knob	29366001	"
TR Socket M1609	34059001	"
Side Angle L A	63444001	"
Side Angle L B	63445001	"
Side Angle R A	63442001	"
Side Angle R B	63443001	"
Fuse 250V 6.3A	38444263	Not Used
Fuse 250V 3.15A	Not Used	38440231
Main Chassis	01109001	01108001
Heat Sink C	15121001	Not Used
Front Panel	10312C01	10311C01
Heat Sink A L	15116001	15118001
Heat Sink B L	15115001	15120001
Heat Sink A R	15113001	15117001
Heat Sink B R	15114001	15119001
TR Cover	70035001	70034001
AC Connector Socket 3P	34091001	Same as Model 600
AC Cord with Connector Plug	62010015	"

# SCHEMATIC DIAGRAM



**FOSTEX CORPORATION** TOKYO, JAPAN  
Authorized Distributor