

41

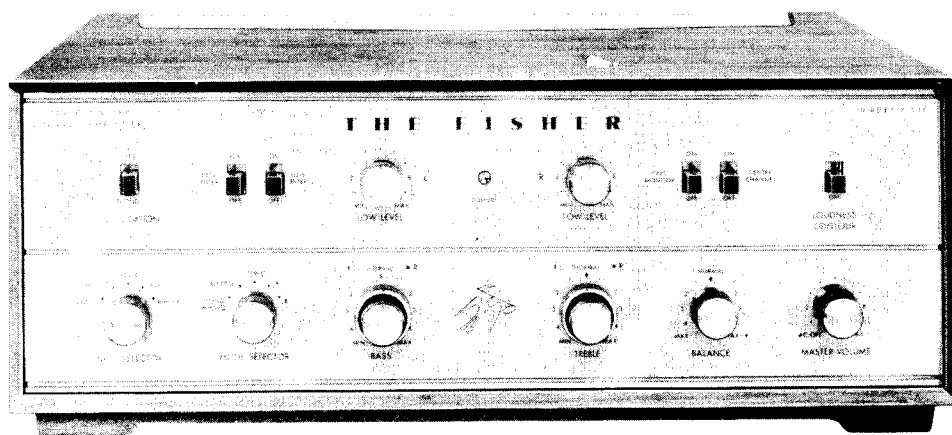


Stereophonic

THE FISHER X-100

SERVICE

MANUAL



MODEL X-100

CHASSIS SERIAL NUMBERS
FROM 30001 TO 39999 INCLUSIVE

PRICE: \$1.00

41

FISHER RADIO CORPORATION · NEW YORK

CHASSIS SERIAL NUMBERS
FROM 30001 TO 39999 INCLUSIVE

THE FISHER X-100



PARTS DESCRIPTION LIST

CAPACITORS

10 % tolerance for all fixed capacitors, unless otherwise noted or marked GMV (guaranteed minimum value.)

| Symbol | Description | Part No. |
|--------------------|---|-----------|
| C1, 2 | Ceramic, 330uf, 1000V | C50072-1 |
| C3, 4 | Ceramic, .02uf, 20%, 500V | C50089-5 |
| C5, 6 | Ceramic, .01uf, 20%, 500V | C50089-3 |
| C7 | Ceramic, 24uf, 5%, N150, 1000V | C50070-8 |
| C8 | Ceramic, 18uf, N470, 1000V | C50070-13 |
| C9, 10 | Ceramic, .001uf, 1000V | C50072-3 |
| C11, 12 | Mylar, .039uf, 250V | C50197-61 |
| C13, 14 | Ceramic, .0015uf, 1000V | C50072-10 |
| C15 | Electrolytic, 3 section: A: 100uf, 150V B: 40 uf, 450V C: 40uf, 450V | C50180-14 |
| C16 | Electrolytic, 20uf, 350V | C692-131 |
| C17, 18 | Mylar, .047uf, 250V | C50197-52 |
| C19, 20 | Mylar, .033uf, 250V | C50197-51 |
| C21, 22 | Mylar, .022uf, 250V | C50197-49 |
| C23 | Ceramic, 33uf, N750, 1000V | C50070-15 |
| C24 | Ceramic, 560uf, 1000V | C50072-14 |
| C25 | Ceramic, 33uf, N750, 1000V | C50070-15 |
| C26 | Ceramic, 560uf, 1000V | C50072-14 |
| C27 | Electrolytic, 2 section: A: 40uf, 500V B: 60uf, 450V | C50180-34 |
| C30, 31 | Ceramic, 7uf, 1000V | C50070-20 |
| C32, 33 | Electrolytic, 25uf, 6V | C639-114 |
| C34, 35 | Ceramic, 560uf, 1000V | C50072-14 |
| C36, 37, 38, 39 | Mylar, .047uf, 400V | C50197-30 |
| C40, 41 | Ceramic, 33uf, N750, 1000V | C50070-15 |
| C42, 43 | Ceramic, 330uf, 1000V | C50072-1 |

RESISTORS AND POTENTIOMETERS

In Ohms, 10 % tolerance, 1/2 Watt, unless otherwise noted. K=KILOHM, M=MEGOHM.

| Symbol | Description | Part No. |
|---------|------------------------------------|------------|
| R1, 2 | Composition, 120K | RC20BF124K |
| R3, 4 | Composition, 270K | RC20BF274K |
| R5, 6 | Dep. Carbon, 100K, 5%, 1/3 W | R33DC104J |
| R7 | Dep. Carbon, 10K, 5%, 1/3 W | R33DC103J |
| R8 | Dep. Carbon, 100K, 5%, 1/3 W | R33DC104J |
| R9 | Dep. Carbon, 10K, 5%, 1/3 W | R33DC103J |
| R10 | Dep. Carbon, 100K, 5%, 1/3 W | R33DC104J |
| R11 | Glass, 2.7K, 5%, 1/2 W | R20G272J |
| R12 | Composition, 15 | RC20BF150K |
| R13 | Glass, 2.7K, 5%, 1/2 W | R20G272J |
| R14 | Composition, 15 | RC20BF150K |
| R15, 16 | Dep. Carbon, 100K, 5%, 1/3 W | R33DC104J |
| R17, 18 | Potentiometer, 250K, preamp. level | R50160-98 |
| R19, 20 | Glass, 330K, 5%, 1W | R30G334J |
| R21, 22 | Dep. Carbon, 220K, 5%, 1/3 W | R33DC224J |
| R23, 24 | Composition, 2.2M | RC20BF225K |
| R25, 26 | Composition, 560K | RC20BF564K |
| R27, 28 | Composition, 10M | RC20BF106K |
| R29, 30 | Composition, 2.2M | RC20BF225K |
| R31, 32 | Composition, 470 | RC20BF471K |
| R33, 34 | Dep. Carbon, 100K, 5%, 1/3 W | R33DC104J |
| R35, 36 | Composition, 220K, 1W | RC30BF224K |
| R37 | Composition, 1.8K | RC20BF182K |

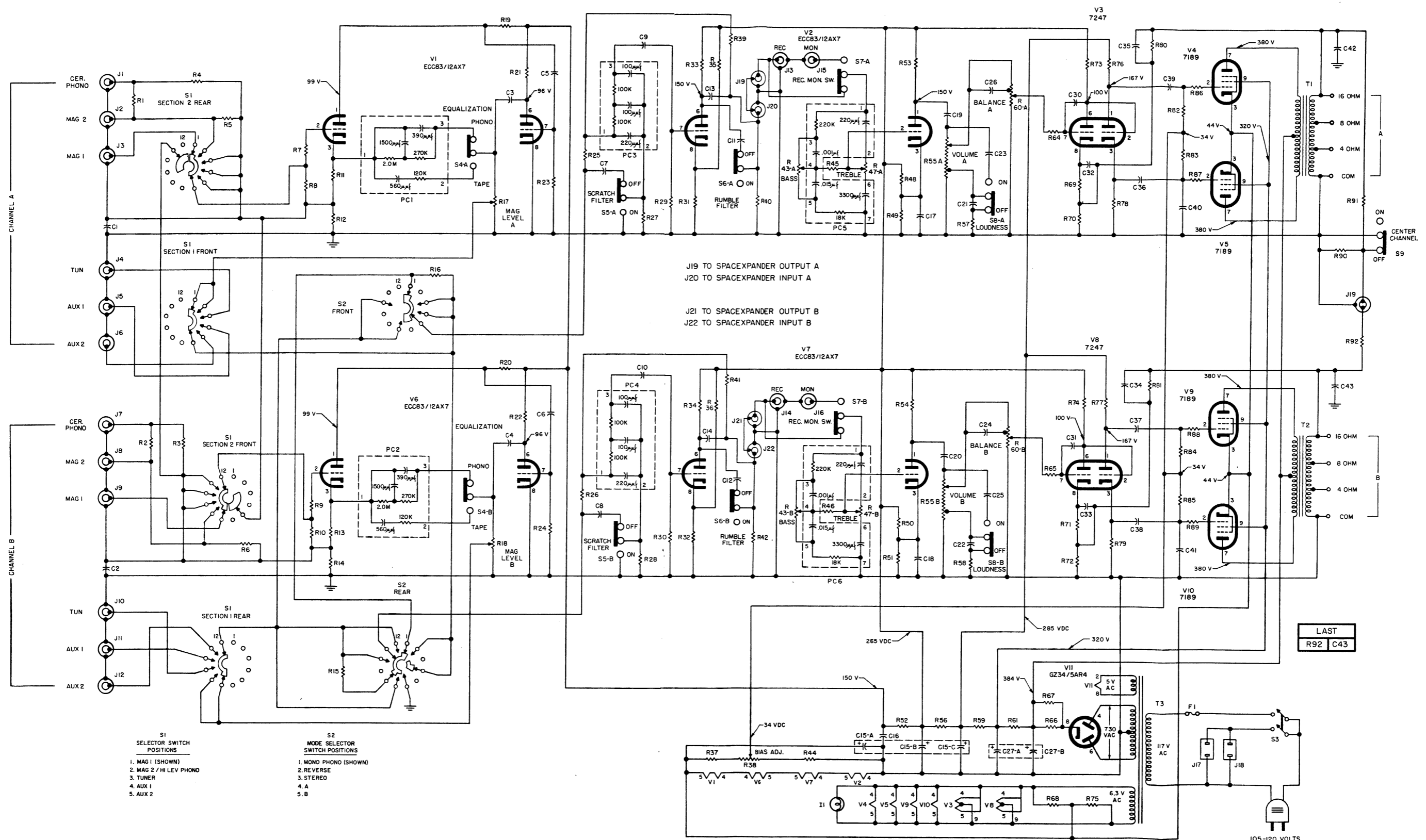
| | |
|--------------------|------------------------------|
| R38 | Potentiometer, 5K, bias adj. |
| R39 | Composition, 2.2M |
| R40 | Composition, 330K |
| R41 | Composition, 2.2M |
| R42 | Composition, 330K |
| R43 | Potentiometer, 1M, bass |
| R44 | Composition, 10K |
| R45, 46 | Composition, 39K |
| R47 | Potentiometer, 1M, treble |
| R48 | Composition, 100K, 5%, 1W |
| R49 | Composition, 270 |
| R50 | Composition, 100K, 5%, 1W |
| R51 | Composition, 270 |
| R52 | Composition, 100K |
| R53, 54 | Dep. Carbon, 100K, 5%, 1/3 W |
| R55 | Potentiometer, 500K, vol. |
| R56 | Composition, 2.7K |
| R57, 58 | Dep. Carbon, 22K, 5%, 1/3 W |
| R59 | Composition, 3.3K, 1W |
| R60 | Potentiometer, 500K, bal. |
| R61 | Glass, 2.2K, 3W |
| R64, 65 | Composition, 47K |
| R66, 67 | Glass, 125, 7W |
| R68 | Composition, 220 |
| R69 | Composition, 3.9K |
| R70 | Composition, 220 |
| R71 | Composition, 3.9K |
| R72 | Composition, 220 |
| R73, 74 | Composition, 560K |
| R75 | Composition, 220 |
| R76, 77, 78, 79 | Composition, 47K, 5%, 1W |
| R80, 81 | Dep. Carbon, 1.8K, 5% |
| R82, 83, 84, 85 | Dep. Carbon, 330K, 5%, 1/3 W |
| R86, 87, 88, 89 | Dep. Carbon, 2.7K, 5%, 1/3 W |
| R90 | Composition, 1K |
| R91, 92 | Composition, 4.7K |

| |
|------------|
| R50103-4 |
| RC20BF225K |
| RC20BF334K |
| RC20BF225K |
| RC20BF334K |
| R50160-93 |
| RC20BF103K |
| RC20BF393K |
| R50160-93 |
| RC30BF104J |
| RC20BF271K |
| RC20BF271K |
| RC20BF271K |
| RC20BF104K |
| R33DC104J |
| R50160-113 |
| RC20BF272K |
| R33DC223J |
| RC30BF332K |
| R50160-114 |
| RPG3W222K |
| RC20BF473K |
| RPG7W125K |
| RC20BF221K |
| RC20BF392K |
| RC20BF221K |
| RC20BF392K |
| RC20BF221K |
| RC20BF564K |
| RC20BF221K |
| RC30BF473J |
| RC20BF182J |
| R33DC334J |
| R33DC272J |
| RC20BF102K |
| RC20BF472K |

MISCELLANEOUS

| Symbol | Description | Part No. |
|-------------------|-----------------------------------|-------------|
| F1 | Fuse, 3.2 amp., slo-blo | F3319 |
| I1 | Lamp, #47 | I50009-1 |
| J17, 18 | AC receptacle | J546-129 |
| PC1, 2 | Printed circuit equalization | PC50187-3 |
| PC3, 4 | Printed circuit high freq. filter | PC50187-2 |
| PC5, 6 | Printed circuit tone control | PC50187-4 |
| S1 | Switch, selector | S781-129CX |
| S2 | Switch, mode selector | S781-130CX |
| S3 | Switch, power | Part of R55 |
| S4, 5, 6, 7, 8 | Switch, slide | S50200-5 |
| T1 | Transformer, output | T781-116-1 |
| T2 | Transformer, output | T781-116-2 |
| T3 | Transformer, power | T781-115 |
| — | Dress panel | A5781-123 |
| — | Tube shield | E3286 |
| — | Knob, dual, rear | E50221 |
| — | Knob, dual, front | E50323 |
| — | Knob | E50325-1 |
| — | Jewel, green | 150162-4 |
| — | Fuse holder | X1036 |

SCHEMATIC DIAGRAM



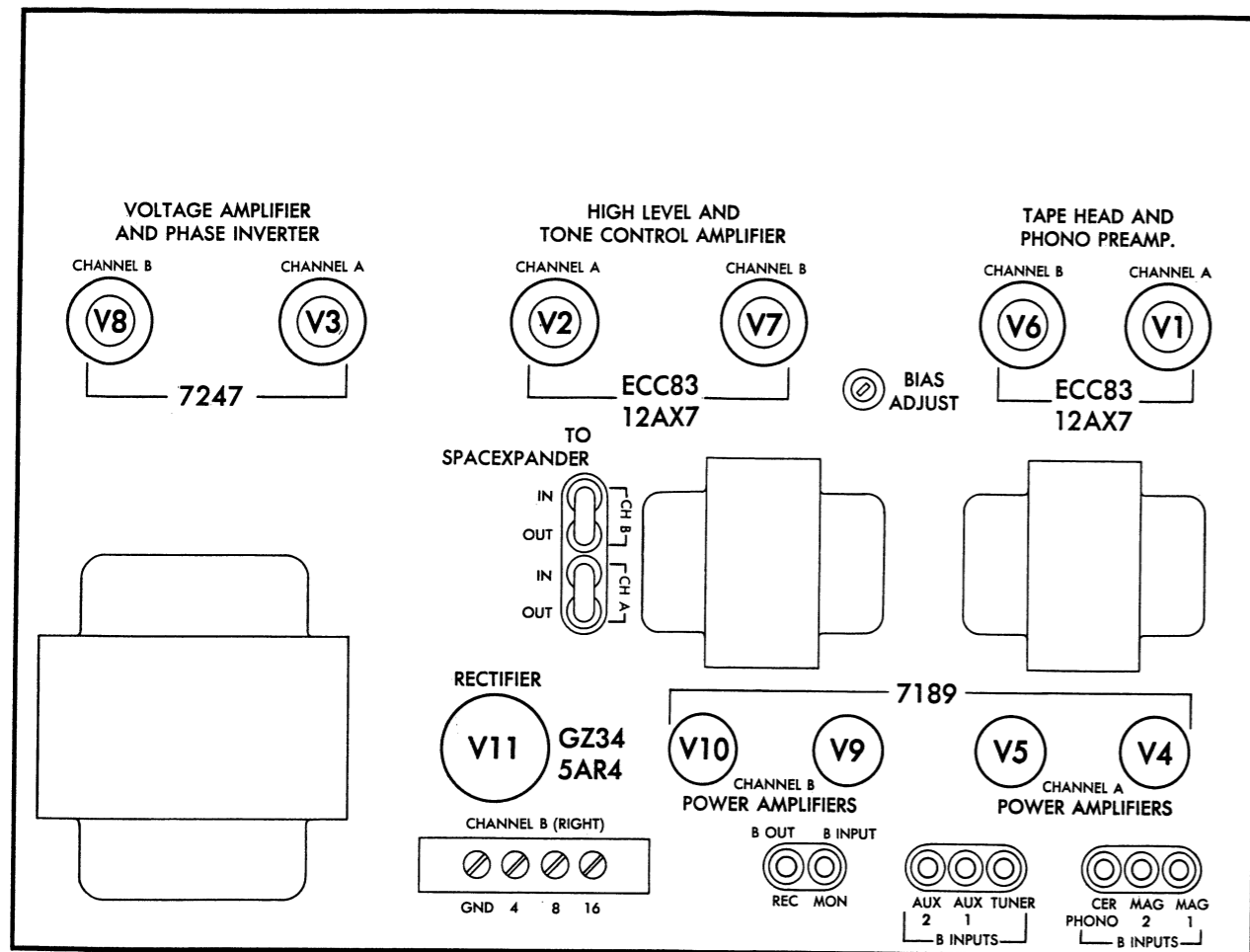
- S1 SELECTOR SWITCH POSITIONS**
1. MAG 1 (SHOWN)
 2. MAG 2 / HI LEV PHONO
 3. TUNER
 4. AUX 1
 5. AUX 2
- S2 MODE SELECTOR SWITCH POSITIONS**
1. MONO PHONO (SHOWN)
 2. REVERSE
 3. STEREO
 4. A
 5. B

LAST
R92 C43

| | |
|------------|--|
| RESISTORS | R1 R2 R3 R4 R5 R6 R7 R9 R11 R14 R8 R10 R12 R15 R13 R16 R17 R19 R21 R23 R25 R27 R29 R31 R33 R35 R38 R39 R42 R43-A R44 R45 R47-A R49 R52 R54 R55-B R50 R51 R53 R55-A R57 R59 R60-A R60-B R61 R64 R67 R70 R73 R76 R79 R80 R82 R85 R88 R83 R86 R89 R84 R87 R90 R91 R92 |
| CAPACITORS | C1 C2 C3 C4 C5 C6 C7 C8 C9 C10 C11 C13 C12 C14 C15-A C16 C15-B C17 C19 C15-C C21 C23 C26 C22 C24 C27-A C25 C18 C20 C15-A C16 C15-B C17 C19 C15-C C21 C23 C26 C22 C24 C27-A C25 C30 C33 C31 C32 C34 C35 C36 C38 C39 C40 C41 C42 C43 |

SERVICE NOTES

TUBE LAYOUT



INS-100

SERVICE NOTES

BIAS ADJUST CONTROL

This control, located on top of the chassis (see Tube Layout), establishes the bias voltage on the grids of the power amplifier tubes in each channel. Adjust this control as follows:

- 1 — Turn on the power, leaving the Master Volume control at MINIMUM. The position of the other controls is not significant.
- 2 — Connect the positive lead of a DC voltmeter to cathode (pin #3) of any of the power amplifier tubes (V4, 5, 9 or 10,) and the ground lead to chassis ground. Turn the Bias Adjust to obtain a reading of + 44 volts DC.



FISHER RADIO CORPORATION • NEW YORK



N781-104DX

PRINTED IN U. S. A.

©1961 FISHER RADIO CORPORATION

349-W12C-111