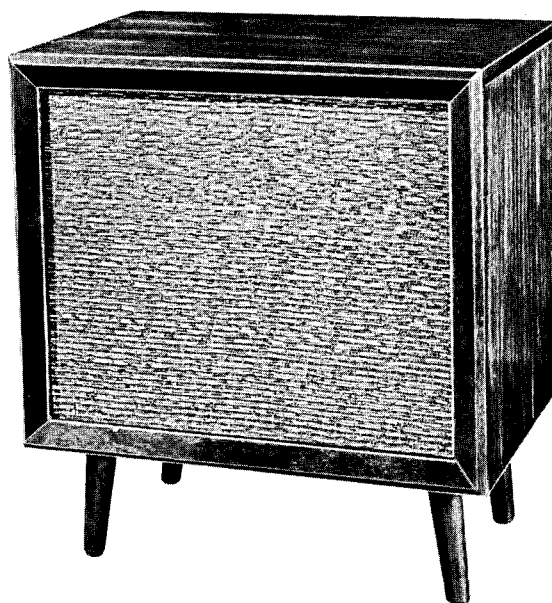




THE
FISHER[®]

HIGH FIDELITY GRAMOPHONE

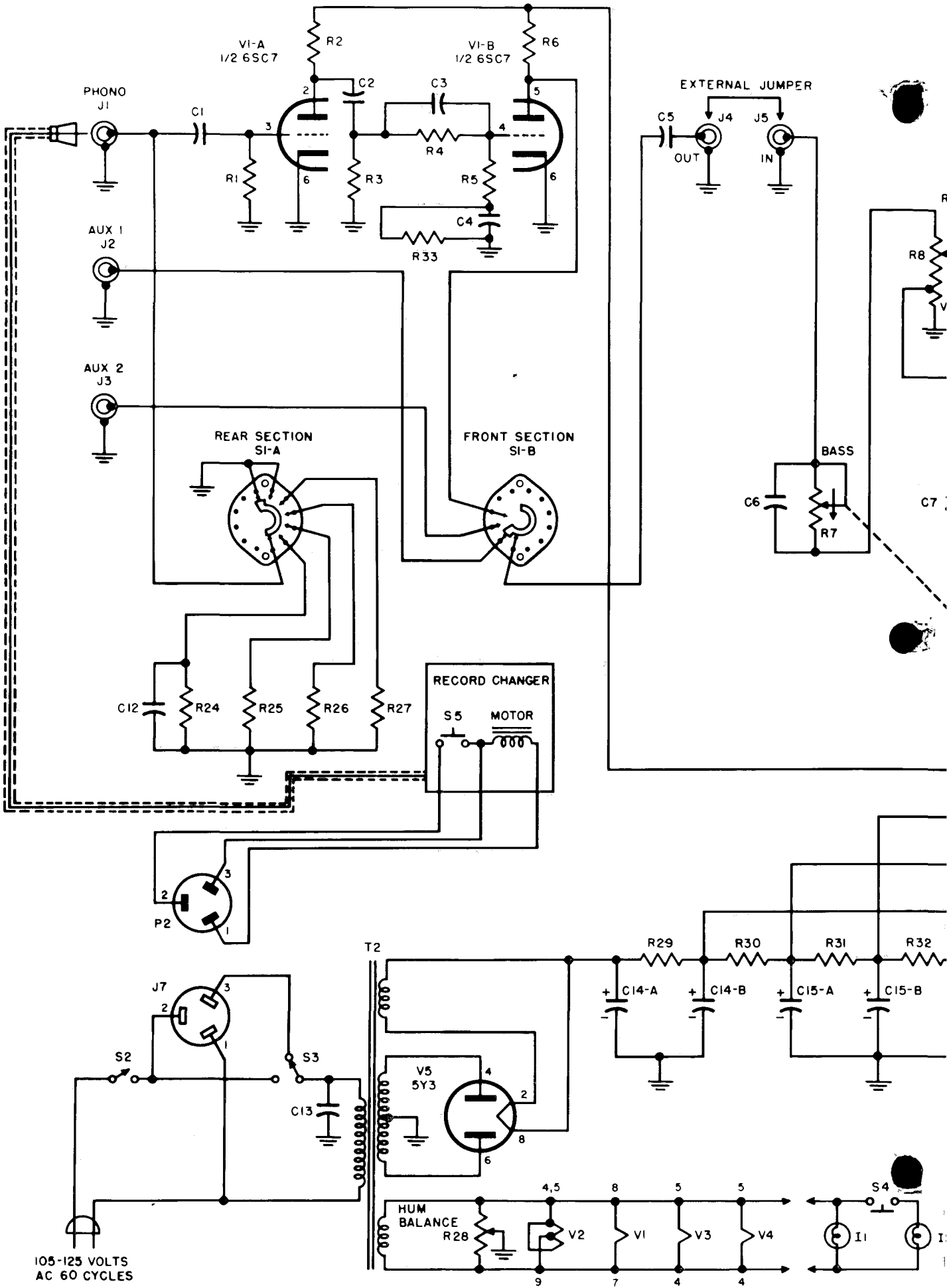
SERVICE MANUAL

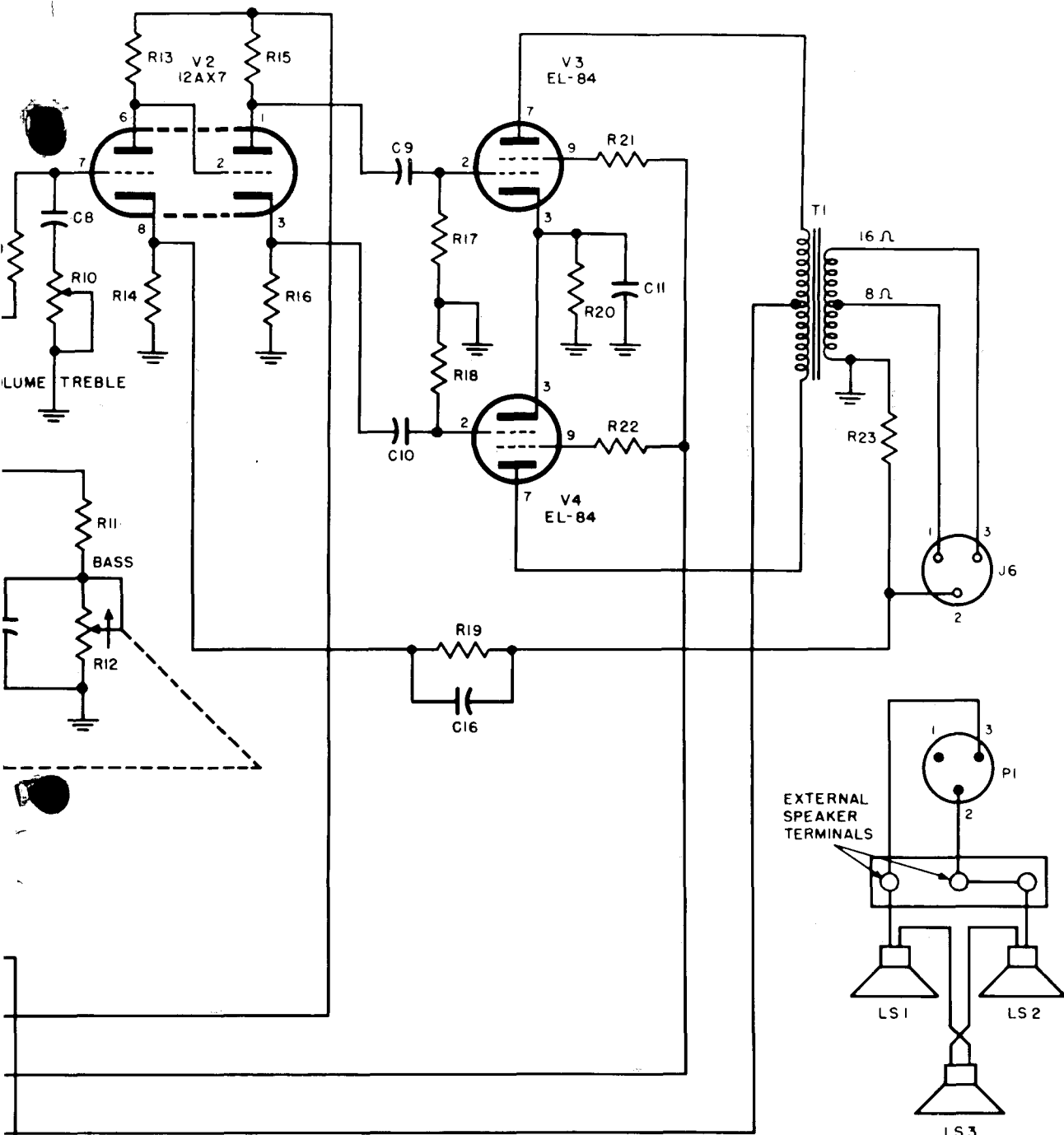


SERIES 101

PRICE: \$1.00

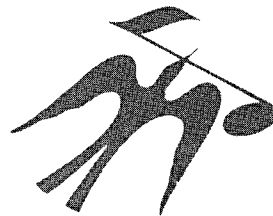
FISHER RADIO CORPORATION • NEW YORK





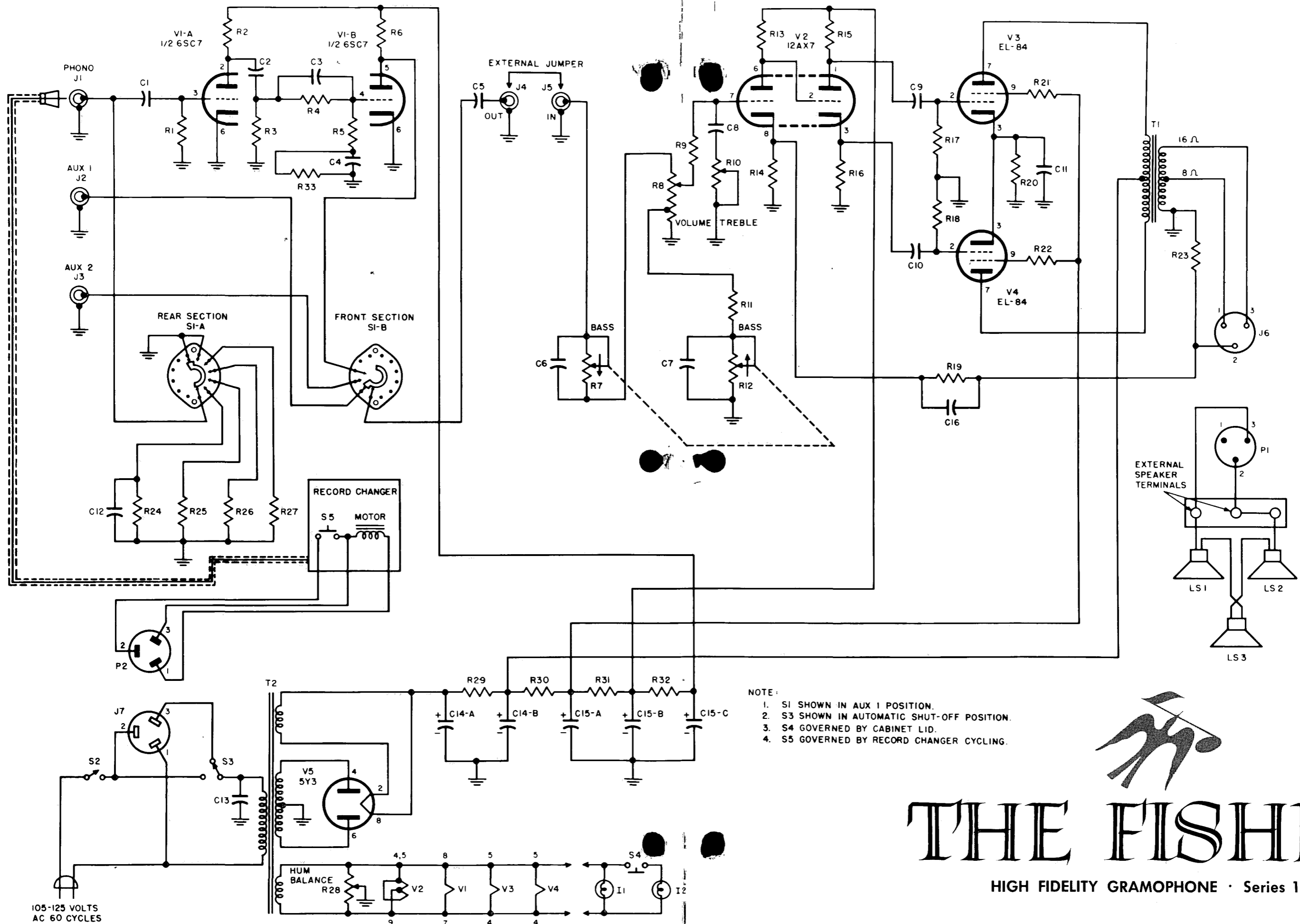
NOTE:

1. S1 SHOWN IN AUX 1 POSITION.
2. S3 SHOWN IN AUTOMATIC SHUT-OFF POSITION.
3. S4 GOVERNED BY CABINET LID.
4. S5 GOVERNED BY RECORD CHANGER CYCLING.



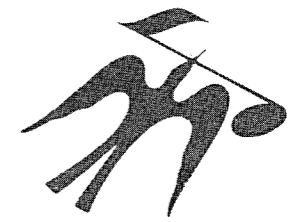
THE FISHER

HIGH FIDELITY GRAMOPHONE · Series 101



NOTE:

1. S1 SHOWN IN AUX 1 POSITION.
2. S3 SHOWN IN AUTOMATIC SHUT-OFF POSITION.
3. S4 GOVERNED BY CABINET LID.
4. S5 GOVERNED BY RECORD CHANGER CYCLING.



THE FISHER

HIGH FIDELITY GRAMOPHONE · Series 101

Parts Description List

Symbol	Description	Part No.	Symbol	Description	Part No.
C-1	Capacitor: 0.022 mfd, 20%; 400 V	C68P223M4	R-5	Resistor, Composition: 47,000 ohms, 10%; 1/2 W	RC20BF473K
C-2	Capacitor: 0.01 mfd, 20%; 400 V	C68P103M4	R-6	Resistor, Composition: 100,000 ohms, 10%; 1/2 W	RC20BF104K
C-3	Capacitor, Ceramic: 24 mmfd, 10%; 500 V	CC21GF240K5	R-7	Potentiometer, Dual: (See R-12) 2 megohms	R-539-112
C-4	Capacitor: 0.0047 mfd, 10%; 400 V	C68P472K4	R-8	Potentiometer, Composition: 500,000 ohms, tapped at 125,000 ohms	R-50000-11
C-5	Capacitor: 0.01 mfd, 20%; 400 V	C68P103M4	R-9	Resistor, Composition: 220,000 ohms, 10%; 1/2 W	RC20BF224K
C-6	Capacitor, Ceramic: 1000 mmfd, 10%; 500 V	CC26GF102K5	R-10	Potentiometer, Composition: 1 megohm	R-50000-9
C-7	Capacitor: 0.022 mfd, 20%; 400 V	C68P223M4	R-11	Resistor, Composition: 10,000 ohms, 10%; 1/2 W	RC20BF103K
C-8	Capacitor, Ceramic: 1000 mmfd; 500 V	CC26GF102K5	R-12	Potentiometer, Dual: (See R-7) 250,000 ohms	R-539-112
C-9, C-10	Capacitor: 0.01 mfd, 20%; 400 V	C68P103M4	R-13	Resistor, Composition: 470,000 ohms, 10%; 1/2 W	RC20BF474K
C-11	Capacitor, Electrolytic: 50 mfd; 25 V	C-556-128	R-14	Resistor, Composition: 680 ohms, 10%; 1/2 W	RC20BF681K
C-12	Capacitor: 0.0039 mfd, 10%; 200 V	C68P392K2	R-15, R-16	Resistor, Composition: 100,000 ohms, 10%; 1/2 W	RC20BF104K
C-13	Capacitor, Molded: 0.01 mfd; 600 V	C-2747	R-17, R-18	Resistor, Composition: 470,000 ohms, 10%; 1/2 W	RC20BF474K
C-14A, B	Capacitor, Electrolytic: 40 mfd; 450 V	C-1798	R-19	Resistor, Composition: 1500 ohms, 10%; 1/2 W	RC20BF152K
C-15A, B, C	Capacitor, Electrolytic: 2 sections, 40 mfd, 1 section, 20 mfd; 450 V	C-50028-1	R-20	Resistor, Wirewound: 125 ohms; 7 W	R-556-124
C-16	Capacitor, Ceramic: 1500 mmfd, 10%; 500 V	CC26GF152K5	R-21, R-22	Resistor, Composition: 68 ohms, 10%; 1/2 W	RC20BF680K
I-1	Pilot Lamp	I-50099-1	R-23	Resistor, Wirewound: 2 ohms; 2 W	R-539-108
I-2	Lamp, Changer Compartment	I-558-117	R-24	Resistor, Composition: 2200 ohms, 10%; 1/2 W	RC20BF222K
J-1, 2, 3, 4, 5	Jack, Phono	J-3143	R-25	Resistor, Composition: 4700 ohms, 10%; 1/2 W	RC20BF472K
J-6	Jack, Speaker	J-1589	R-26	Resistor, Composition: 15,000 ohms, 10%; 1/2 W	RC20BF153K
J-7	Receptacle, 3-pole	J-539-118	R-27	Resistor, Composition: 27,000 ohms, 10%; 1/2 W	RC20BF273K
LS-1, 2, 3	Loudspeaker	LS-541-133	R-28	Retentiometer, Wirewound: 500 ohms	R-516-121
P-1	Plug, Speaker	P-1590	R-29	Resistor, Wirewound: 200 ohms	R-539-120
P-2	Plug, Record Changer	P-541-134	R-30	Resistor, Composition: 2700 ohms, 10%; 1 W	RC30BF272K
R-1	Resistor, Composition: 22 megohms, 10%; 1/2 W	RC20BF226K	R-31	Resistor, Composition: 4700 ohms, 10%; 1/2 W	RC20BF472K
R-2	Resistor, Composition: 100,000 ohms, 10%; 1/2 W	RC20BF104K	R-32	Resistor, Composition: 22,000 ohms, 10%; 1/2 W	RC20BF223K
R-3	Resistor, Composition: 22 megohms, 10%; 1/2 W	RC20BF226K	R-33	Resistor, Composition: 2.2 megohms, 10%; 1/2 W	RC20BF222K
R-4	Resistor, Composition: 1 megohm, 10%; 1/2 W	RC20BF106K	S-1	Switch, Selector	S-539-108
			S-2	Switch, Power: Part of R-7 and R-12	S-539-122
			S-3	Switch, Automatic: Shut-off	T-539-117
			T-1	Transformer, Output	T-539-112
			T-2	Transformer, Output	T-539-116

Voltage Reference Chart

SOCKET PINS

TUBE	1	2	3	4	5	6	7	8	9
V-1 6SC7	0	120	-0.8	-0.6	120	0	6.3 AC across Pins 7 & 8		—
V-2 12AX7	225	62	64	6.3 AC to Pin 9		62	-0.3	0.3	6.3 AC to Pins 4 & 5
V-3 EL-84	0	0	11.5	6.3 AC to Pins 4 & 5		310	350	NC	310
V-4 EL-84	0	0	11.5	6.3 AC to Pins 4 & 5		310	350	NC	310
V-5 5Y3	—	375	—	350 AC	—	350 AC	—	375	—

NOTES: Line voltage set at 117 V, 60 cycles. Voltage readings may vary $\pm 10\%$ under normal operating conditions. All voltages read with vacuum tube voltmeter, under no-signal condition.

Voltages read with respect to chassis and are D.C. unless otherwise specified. Band switch set at RIAA. Volume and tone controls maximum counterclockwise. Power switch on.

Resistance Reference Chart

SOCKET PINS

TUBE	1	2	3	4	5	6	7	8	9
V-1 6SC7	0	INF	22M	2.2M	INF	0	0-100*	0-100*	—
V-2 12AX7	INF	INF	100K	0-100*	0-100*	INF	220K	500	0-100*
V-3 EL-84	—	470K	125	0-100*	0-100*	INF	INF	—	INF
V-4 EL-84	—	470K	125	0-100*	0-100*	INF	INF	—	INF
V-5 5Y3	—	INF	—	100	—	100	INF	INF	—

CAUTION: Be certain to disconnect AC line cord when making these measurements. All resistance in ohms unless otherwise specified. M equals megohms. K equals kilohms.

*Depends on setting of hum adjustment control. Measurements taken with respect to chassis.

NOTES