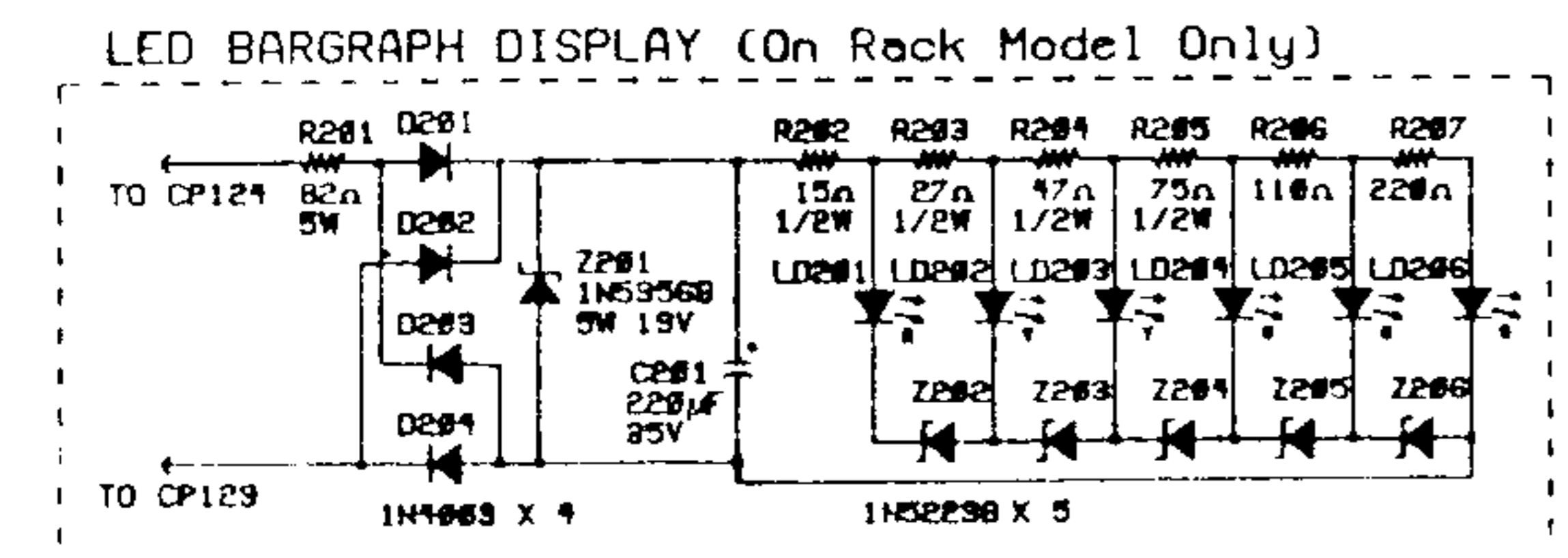
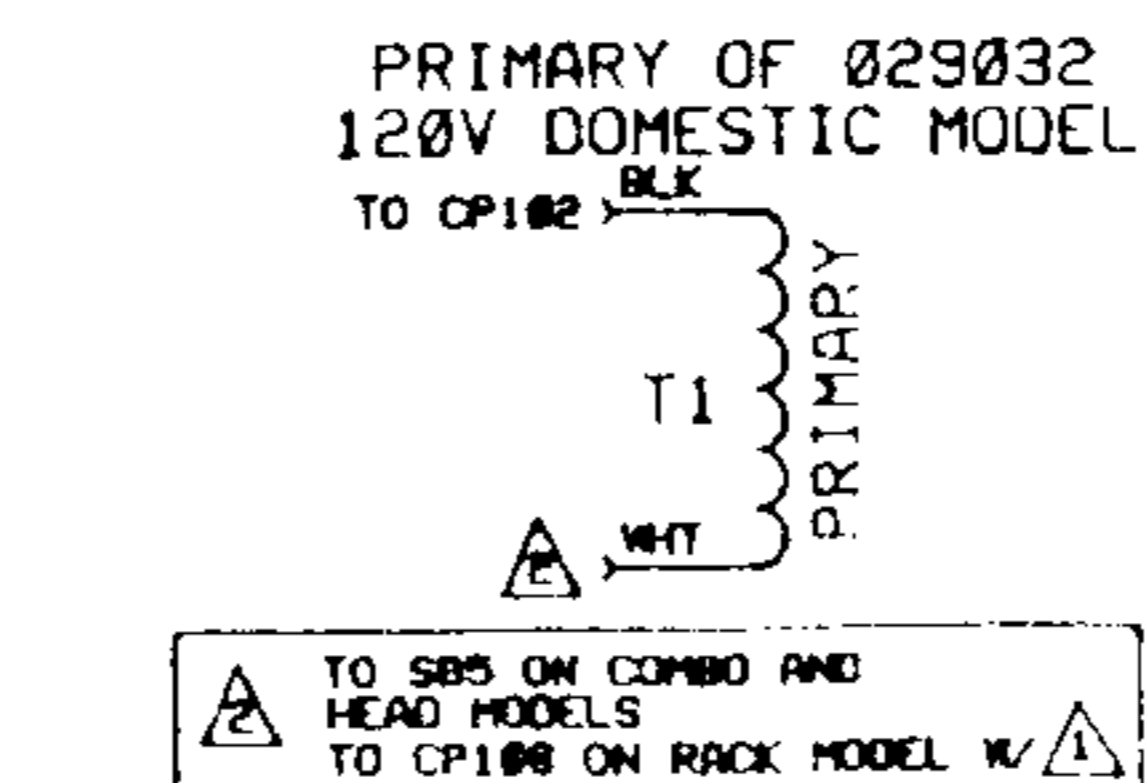
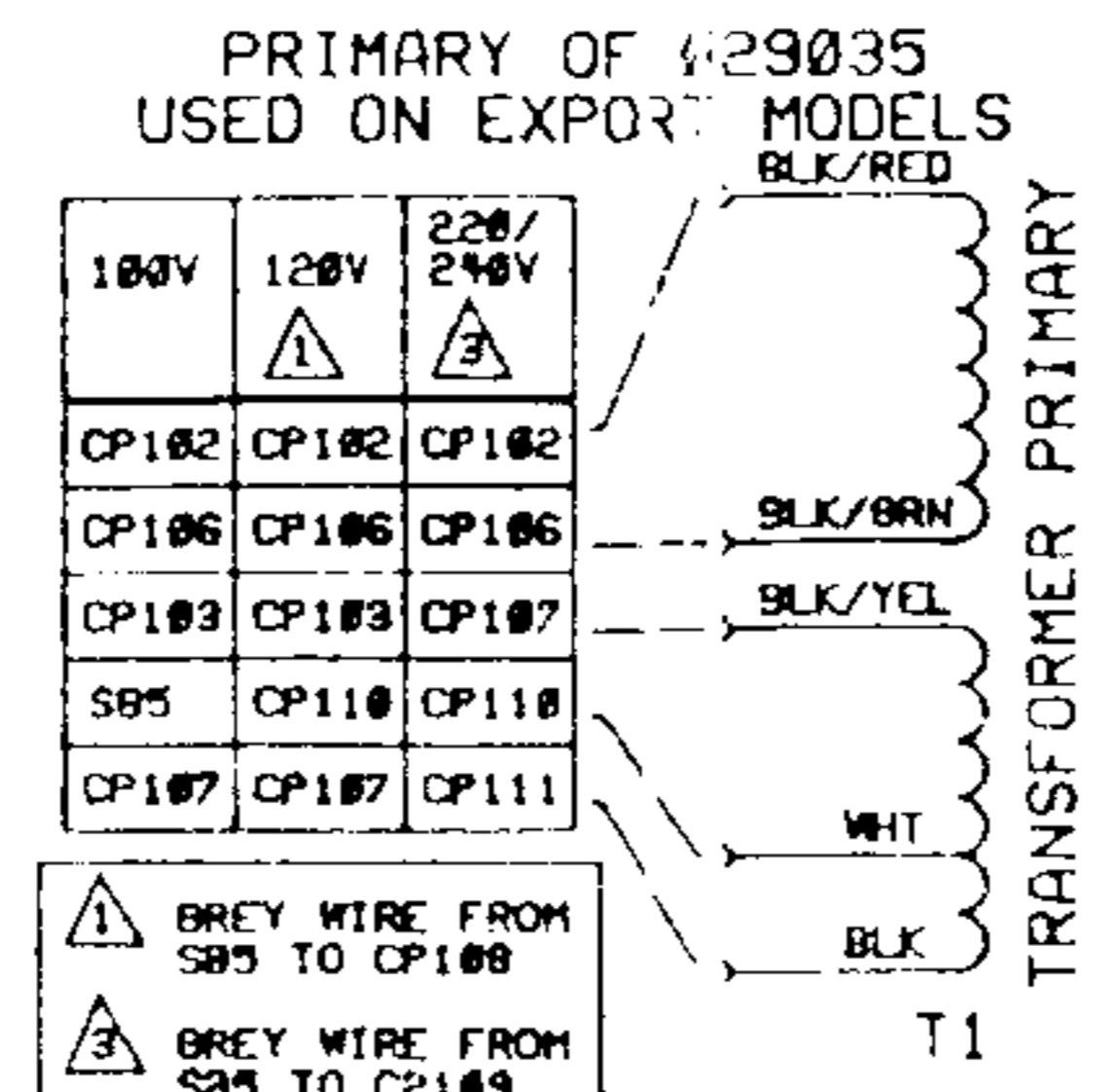
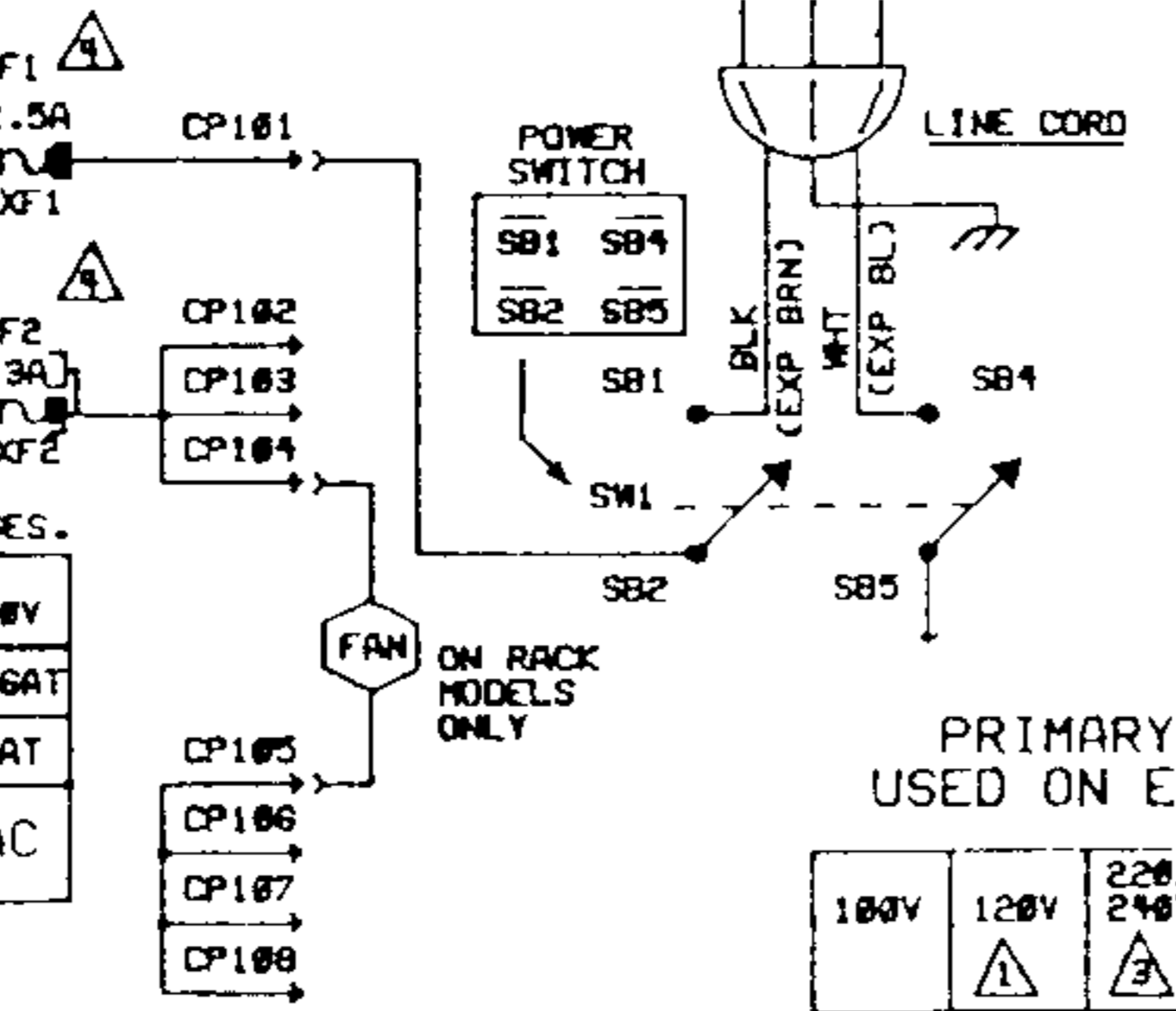


- NOTES:** UNLESS OTHERWISE SPECIFIED
1. ALL RESISTORS 1/4 WATT, ± 5%.
  2. ALL CAPACITORS 63 VOLT MINIMUM.
  3. SIX DIGIT NUMBERS ARE FENDER P/N'S.
  4. ALL VOLTAGES MEASURED USING DVM WITH MINIMUM LINE INPUT IMPEDANCE, AND MAY VARY ± 20%. LINE VOLTAGE SET TO 120V VAC, 60 HZ.
  5. DC VOLTAGES READ TO GROUND WITH NO INPUT TO AMP AND FOOTSWITCH DISCONNECTED. NOTE: ON U101 & U102 PINS 1, 2, 3, 5, 6, 7, MEASURE -15V.
  6. AC RMS VOLTAGES ARE READ UNDER THE FOLLOWING CONDITIONS:
    - 1 kHz SINE WAVE INPUT TO J1.
    - 8Ω RESISTIVE LOAD ACROSS CP129/130.
    - REVERB CONTROL SET TO "0".
    - ALL OTHER CONTROLS SET TO MAXIMUM.
    - SELECT SWITCH OFF.
    - BUITAR CORD CONNECTED BETWEEN PREAMP OUT & "POWER AMP IN" JACKS.
  7. RATED OUTPUT POWER - 60 WATTS RMS AT 5% THD, UNDER SAME CONDITIONS AS NOTE 6, EXCEPT INPUT INTO J102, POWER AMP IN.



**NOTE: USE ONLY SLO-BLO FUSES.**

LINE VOLTAGE	100V	120V	220V	240V
F1	3A	2.5A	1.6AT	1.6AT
F2	4A	3A	2AT	2AT
MINIMUM VOLTAGE RATING	125VAC	250VAC		



**DATABASE FILE:** S115.DOF  
**CHECKED BY:** JES  
**DATE:** 1/14/90  
**APPROVED:** JES  
**DATE:** 1/12/90

**PROPRIETARY**  
 MUSICAL INSTRUMENTS  
 1190 Columbia Street  
 Brea, Ca. 92621

**TITLE:** SCHEMATIC SUPER AMP  
**SIZE:** 0  
**DRAWING NUMBER:** 036610  
**REV.:** 0  
**SCALE:** 1/16" = 1" (1 OF 1)