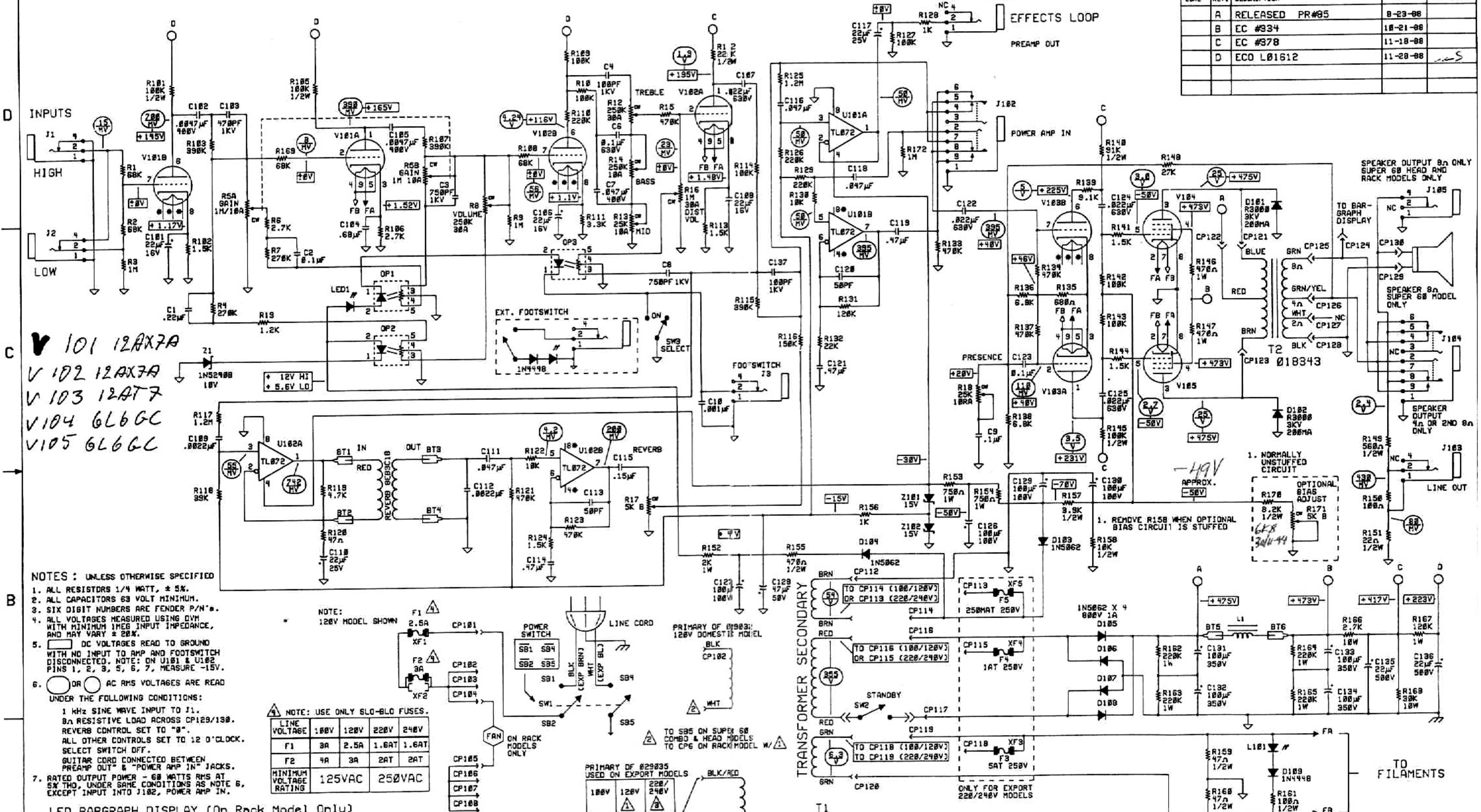


ZONE	REV.	DESCRIPTION	DATE	APPROVED
A	RELEASED	PR#95	8-23-88	
B	EC #934		10-21-88	
C	EC #978		11-18-88	
D	ECO L01612		11-20-88	

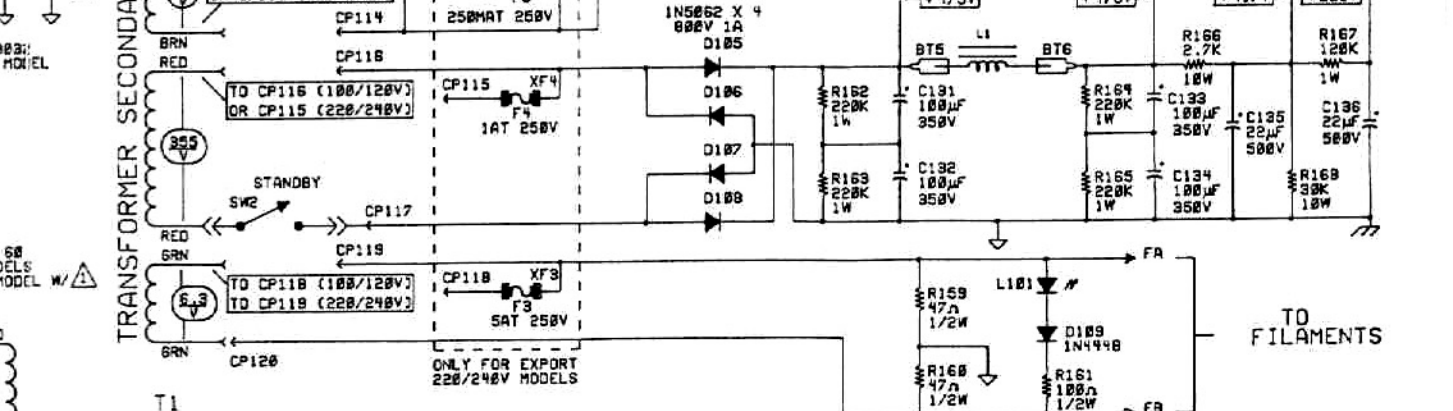
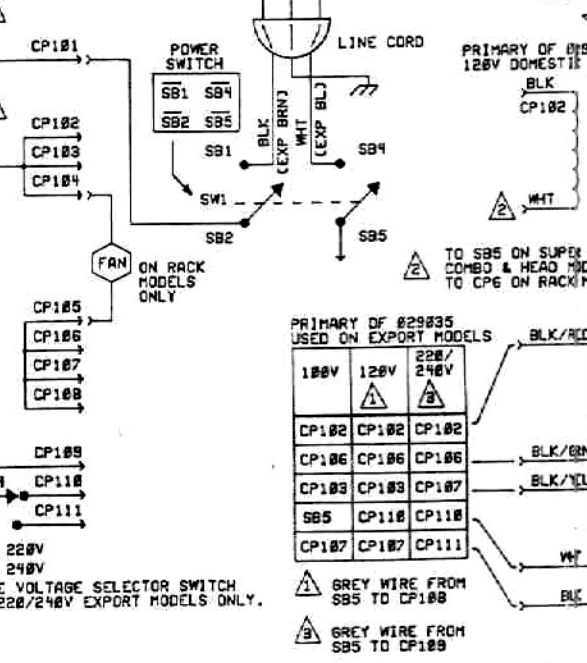
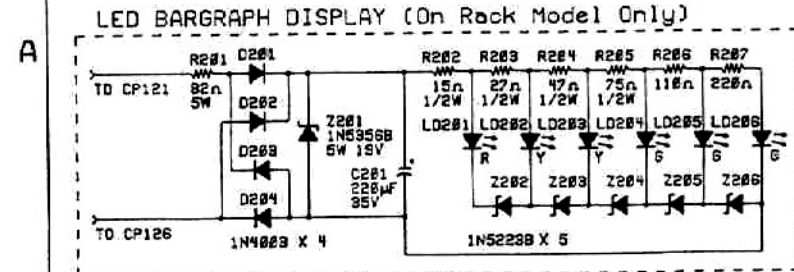


V 101 12AX7A
 V 102 12AX7A
 V 103 12AT7
 V 104 6L6GC
 V 105 6L6GC

- NOTES:** UNLESS OTHERWISE SPECIFIED
- ALL RESISTORS 1/4 WATT, ± 5%.
 - ALL CAPACITORS 63 VOLT MINIMUM.
 - SIX DIGIT NUMBERS ARE FENDER P/N'S.
 - ALL VOLTAGES MEASURED USING DVM WITH MINIMUM 1MEG INPUT IMPEDANCE, AND MAY VARY ± 20%.
 - DC VOLTAGES READ TO GROUND WITH NO INPUT TO AMP AND FOOTSWITCH DISCONNECTED. NOTE: ON U101 & U102 PINS 1, 2, 3, 5, 6, 7, MEASURE -15V.
 - OR AC RMS VOLTAGES ARE READ UNDER THE FOLLOWING CONDITIONS:
 1 KHz SINE WAVE INPUT TO J1.
 8Ω RESISTIVE LOAD ACROSS CP129/130.
 REVERB CONTROL SET TO "0".
 ALL OTHER CONTROLS SET TO 12 O'CLOCK.
 SELECT SWITCH OFF.
 GUITAR CORD CONNECTED BETWEEN PREAMP OUT & "POWER AMP IN" JACKS.
 - RATED OUTPUT POWER - 60 WATTS RMS AT 5% THD, UNDER SAME CONDITIONS AS NOTE 6, EXCEPT INPUT INTO J102, POWER AMP IN.

NOTE: USE ONLY SLO-BLO FUSES.

LINE VOLTAGE	100V	120V	220V	240V
F1	3A	2.5A	1.6AT	1.6AT
F2	4A	3A	2AT	2AT
MINIMUM VOLTAGE RATING	125VAC	250VAC		



REF. DES.	ITEM	QTY	PART NO.	DESCRIPTION
DATABASE FILE:	SB0-01		PROPRIETARY	
CHECKED BY:				
DATE:				
APPROVED:				
DATE:				
TOLERANCES:	UNLESS OTHERWISE SPECIFIED			
X.X	± 0.5%			
X.XX	± 0.1%			
X.XXX	± 0.05%			
ANGLES	± 0.5°			
MUSICAL INSTRUMENTS				
1130 Columbia Street				
Brea, Ca. 92621				
TITLE: SCHEMATIC DIAGRAM OF 60 SERIES TUBE AMPS.				
SIZE:	DRAWN: C. L. WILSON	DRAWING NUMBER:	028921	REV.:
SCALE:	DATE: 8-23-88	SHEET:	1	OF 1