

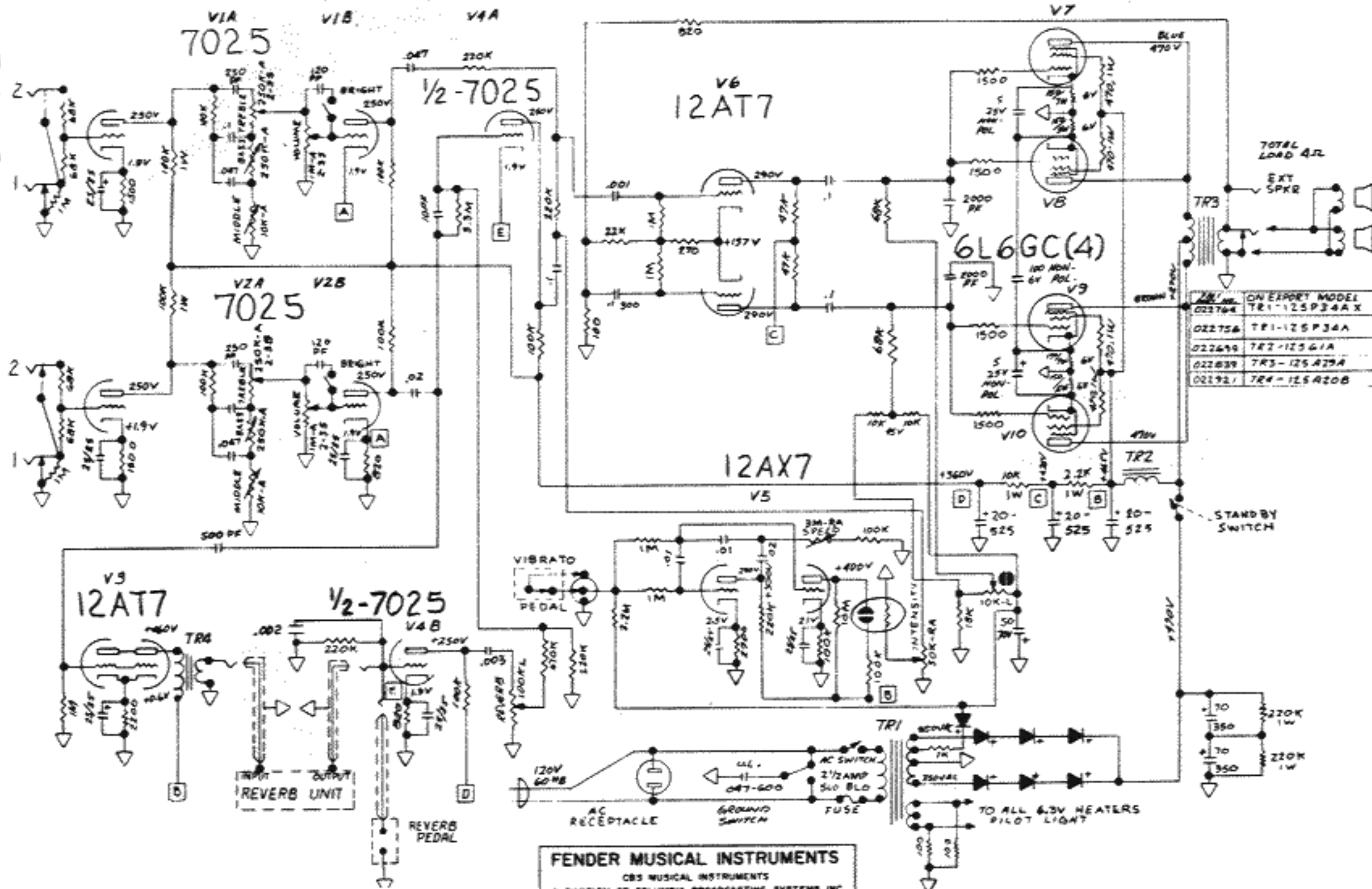
"SHOWMAN REVERB-AMP AA768" SCHEMATIC NOTICE

THIS PRODUCT MANUFACTURED UNDER ONE OF
MORE OF THE FOLLOWING US PATENTS:
2817708, # 2973601, 192869, 7 PATENTS
PENDING

1. VOLTAGES READ TO GROUND WITH V.T.V.M.
2. VALUES SHOWN + OR - 20%.
3. ALL RESISTORS 1/2WATT 10% TOLERANCE IF NOT SPECIFIED.
4. ALL CAPACITORS AT LEAST 400 VOLTS RATING IF NOT SPECIFIED.
5. VOLTAGES MEASURED WITH VIBRATO PEDAL GROUNDING TO CHASSIS.

NORMAL

VIBRATO



FENDER MUSICAL INSTRUMENTS
CBS MUSICAL INSTRUMENTS
A DIVISION OF COLUMBIA BROADCASTING SYSTEMS INC
SANTA ANA, CALIFORNIA
U.S.A.