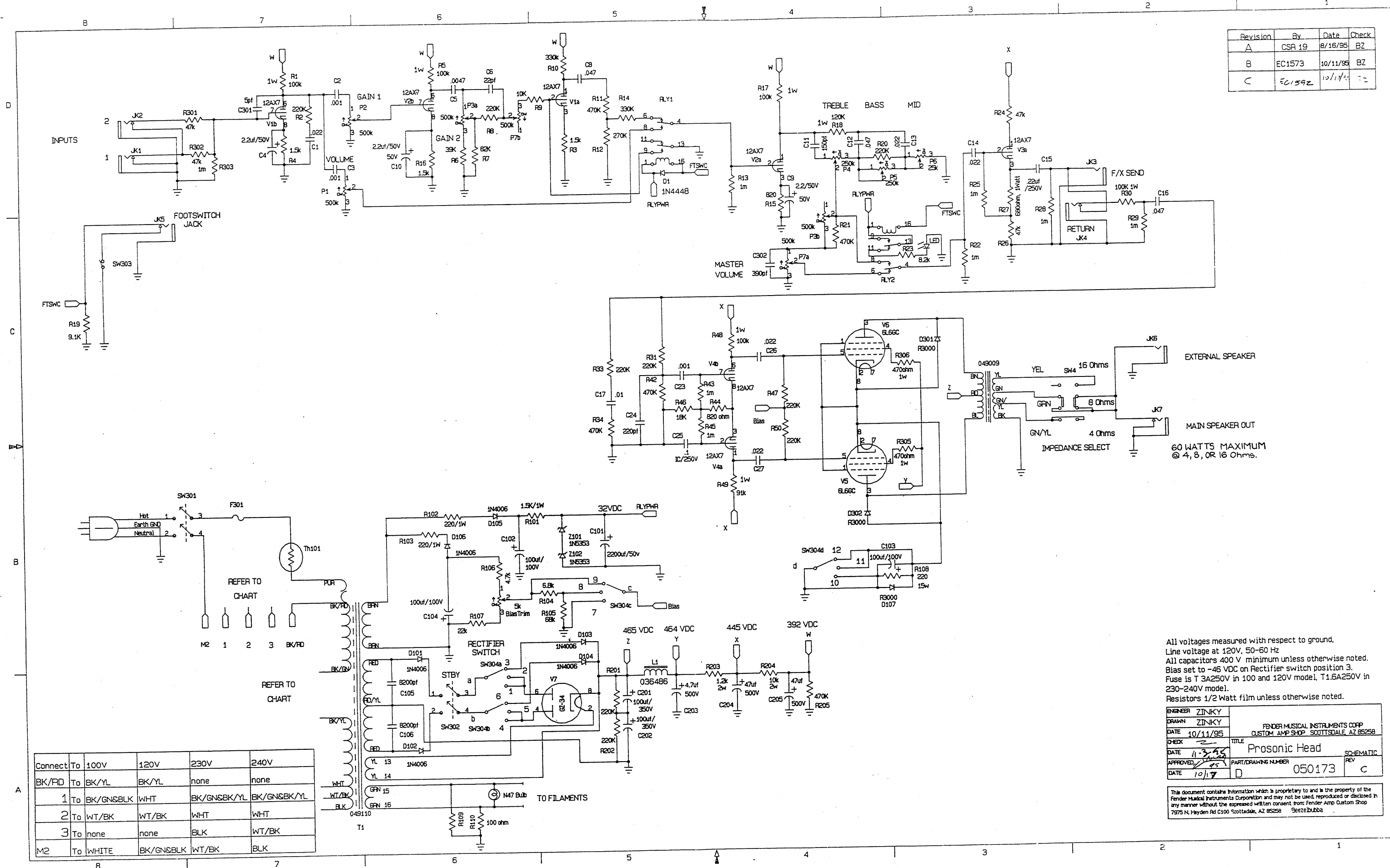


Revision	By	Date	Check
A	CSR 19	8/16/95	BZ
B	EC1573	10/11/95	BZ
C	EC1592	10/17/95	-



All voltages measured with respect to ground.
 Line voltage at 120V, 50-60 Hz
 All capacitors 400 V minimum unless otherwise noted.
 Bias set to -45 VDC on Rectifier switch position 3.
 Fuse is T 3A250V in 100 and 120V model, T1.6A250V in 230-240V model.
 Resistors 1/2 Watt film unless otherwise noted.

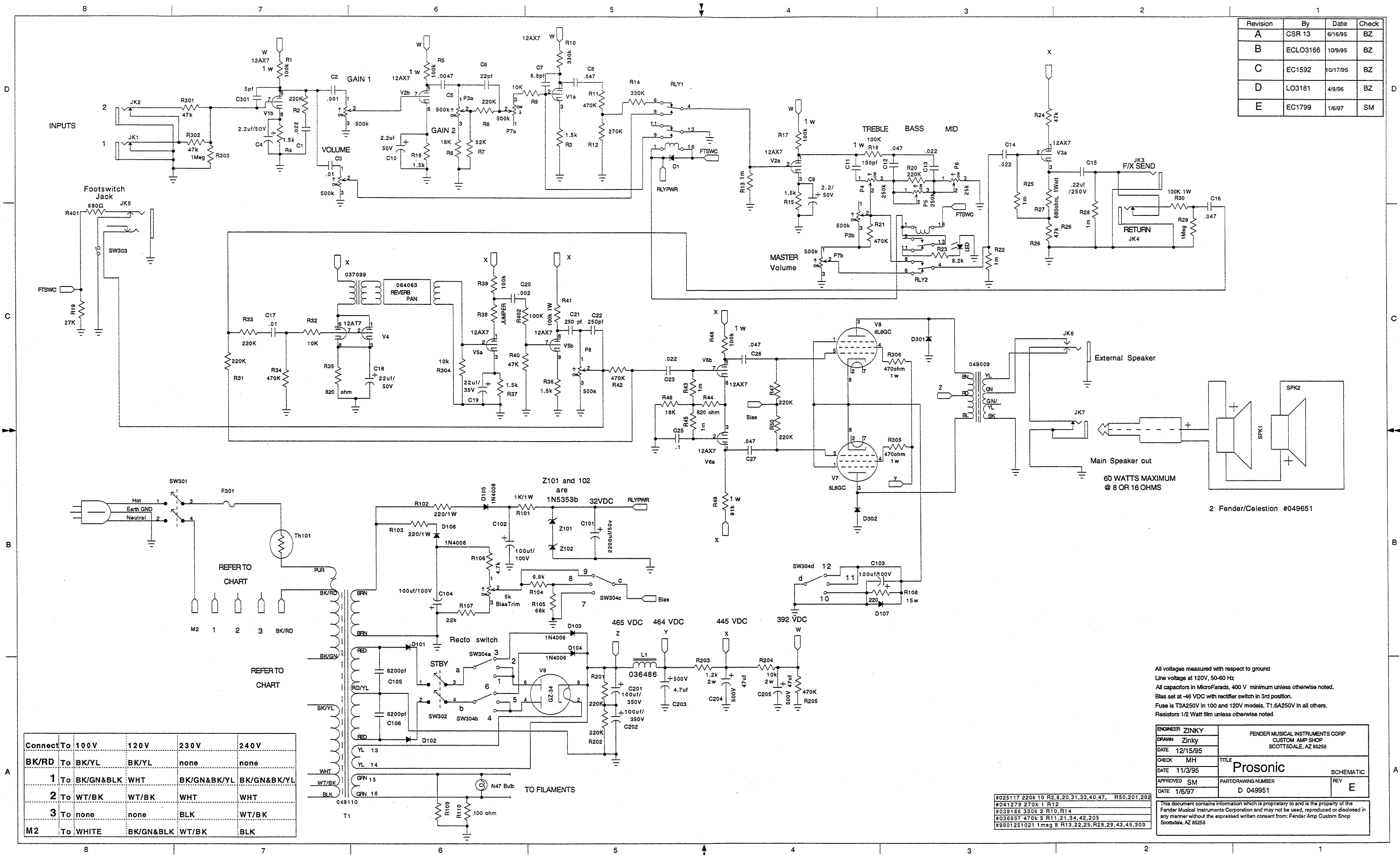
Connect	To	100V	120V	230V	240V
BK/RD	To	BK/YL	BK/YL	none	none
1	To	BK/GNSBLK	WHT	BK/GNSBK/YL	BK/GNSBK/YL
2	To	WT/BK	WT/BK	WHT	WHT
3	To	none	none	BLK	WT/BK
M2	To	WHITE	BK/GNSBLK	WT/BK	BLK

ENGINEER	ZINKY	FENDER MUSICAL INSTRUMENTS CORP CUSTOM AMP SHOP SCOTTSDALE, AZ 85258
DRAWN	ZINKY	
DATE	10/11/95	TITLE
DATE	11-3-95	PROSONIC HEAD
APPROVED	[Signature]	PART/DRAWING NUMBER
DATE	10/17	050173
		REV
		C

This document contains information which is proprietary to and is the property of the Fender Musical Instruments Corporation and may not be used, reproduced or disclosed in any manner without the expressed written consent from Fender Amp Custom Shop 7975 N. Hayden Rd C100 Scottsdale, AZ 85258

0050174000

Revision	By	Date	Check
A	CSR 13	6/16/95	BZ
B	ECLO3166	10/9/95	BZ
C	EC1592	10/17/95	BZ
D	LO3181	4/9/96	BZ
E	EC1799	1/6/97	SM



All voltages measured with respect to ground
 Line voltage at 120V, 50-60 Hz
 All capacitors in MicroFarads, 400 V minimum unless otherwise noted.
 Bias set at -46 VDC with rectifier switch in 3rd position.
 Fuse is T3A250V in 100 and 120V models, T1.6A250V in all others.
 Resistors 1/2 Watt film unless otherwise noted

Connect To	100V	120V	230V	240V
BK/RD	To BK/YL	BK/YL	none	none
1	To BK/GN&BLK	WHT	BK/GN&BK/YL	BK/GN&BK/YL
2	To WT/BK	WT/BK	WHT	WHT
3	To none	none	BLK	WT/BK
M2	To WHITE	BK/GN&BLK	WT/BK	BLK

- #025117 220k 10 R2, 8.2k, 31, 33, 40, 47, R50, 201, 202
- #041279 270k 1 R12
- #039186 330k 2 R10, R14
- #038957 470k 5 R11, 21, 34, 42, 205
- #9901251021 1meg 8 R13, 22, 25, R28, 29, 43, 45, 303

ENGINEER ZINKY	FENDER MUSICAL INSTRUMENTS CORP	
DRAWN Zinky	CUSTOM AMP SHOP	
DATE 12/15/95	SCOTTSDALE, AZ 85258	
CHECK MH	TITLE	SCHEMATIC
DATE 11/3/95	Prosonic	
APPROVED SM	PART/DRAWING NUMBER	REV
DATE 1/6/97	D 049951	E

This document contains information which is proprietary to and is the property of the Fender Musical Instruments Corporation and may not be used, reproduced or disclosed in any manner without the expressed written consent from: Fender Amp Custom Shop Scottsdale, AZ 85258