

FENDER MODEL

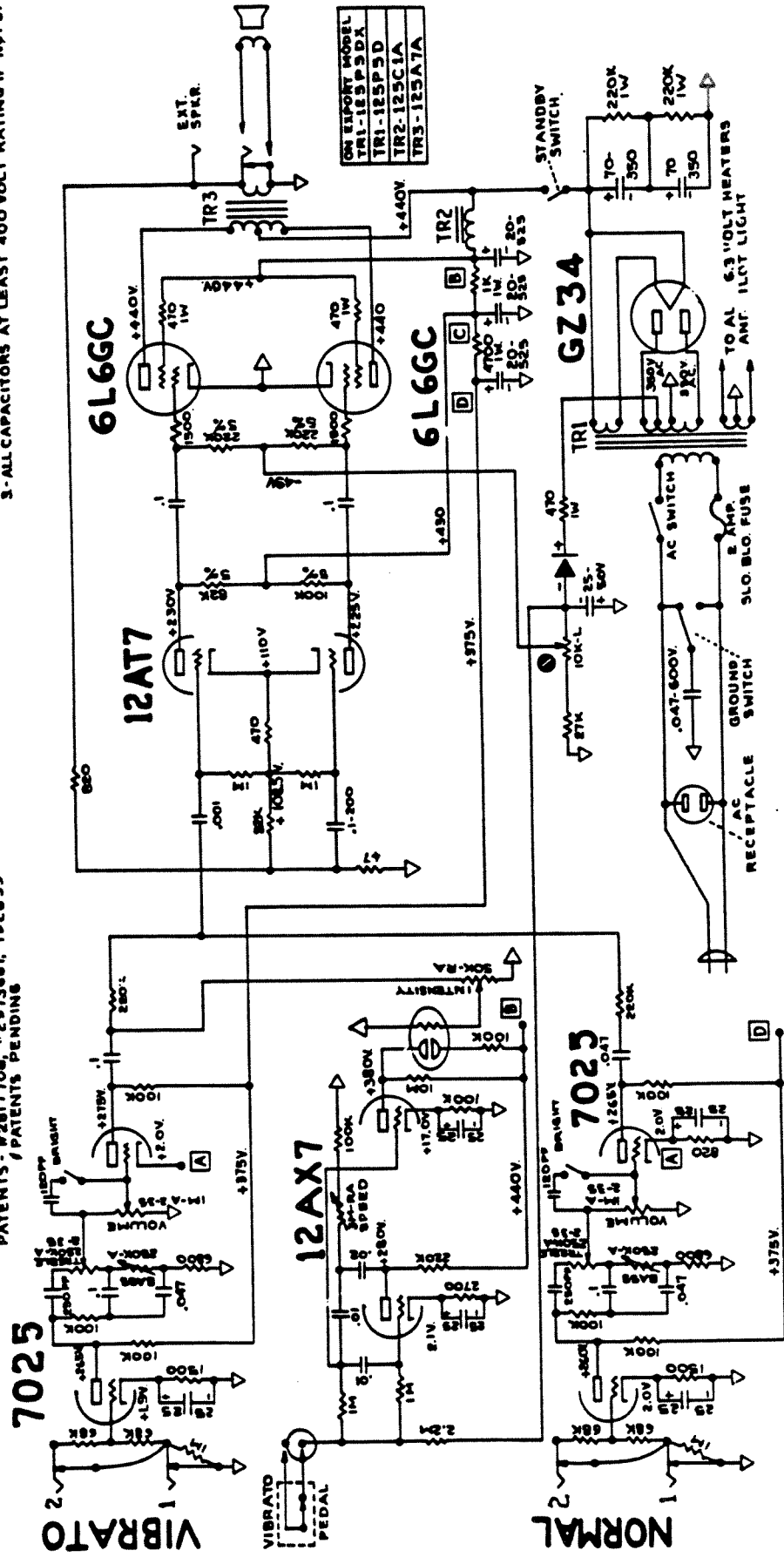
"PRO-AMP AB763" SCHEMATIC

NOTICE

- 1-VOLTAGES READ TO GROUND WITH ELECTRONIC VOLTMETER, VALUES SHOULD ± 5% - 10% TOLERANCE IF NOT SPECIFIED.
- 2-ALL RESISTORS 1/2 WATT 10% TOLERANCE IF NOT SPECIFIED.
- 3-ALL CAPACITORS AT LEAST 400 VOLT RATING IF NOT SPECIFIED.

THIS PRODUCT MANUFACTURED UNDER ONE OR MORE OF THE FOLLOWING U.S. PATENTS: #281708, #2973681, 192859 PATENTS / PATENTS PENDING

C-FD



ION REPORT MODEL
TR1-1E5P5D X
TR2-1E5P5D
TR3-1E5A1A

FENDER MUSICAL INSTRUMENTS
 A DIVISION OF COLUMBIA RECORDS DISTRIBUTION CORP.
 SANTA ANA, CALIFORNIA
 U.S.A.