

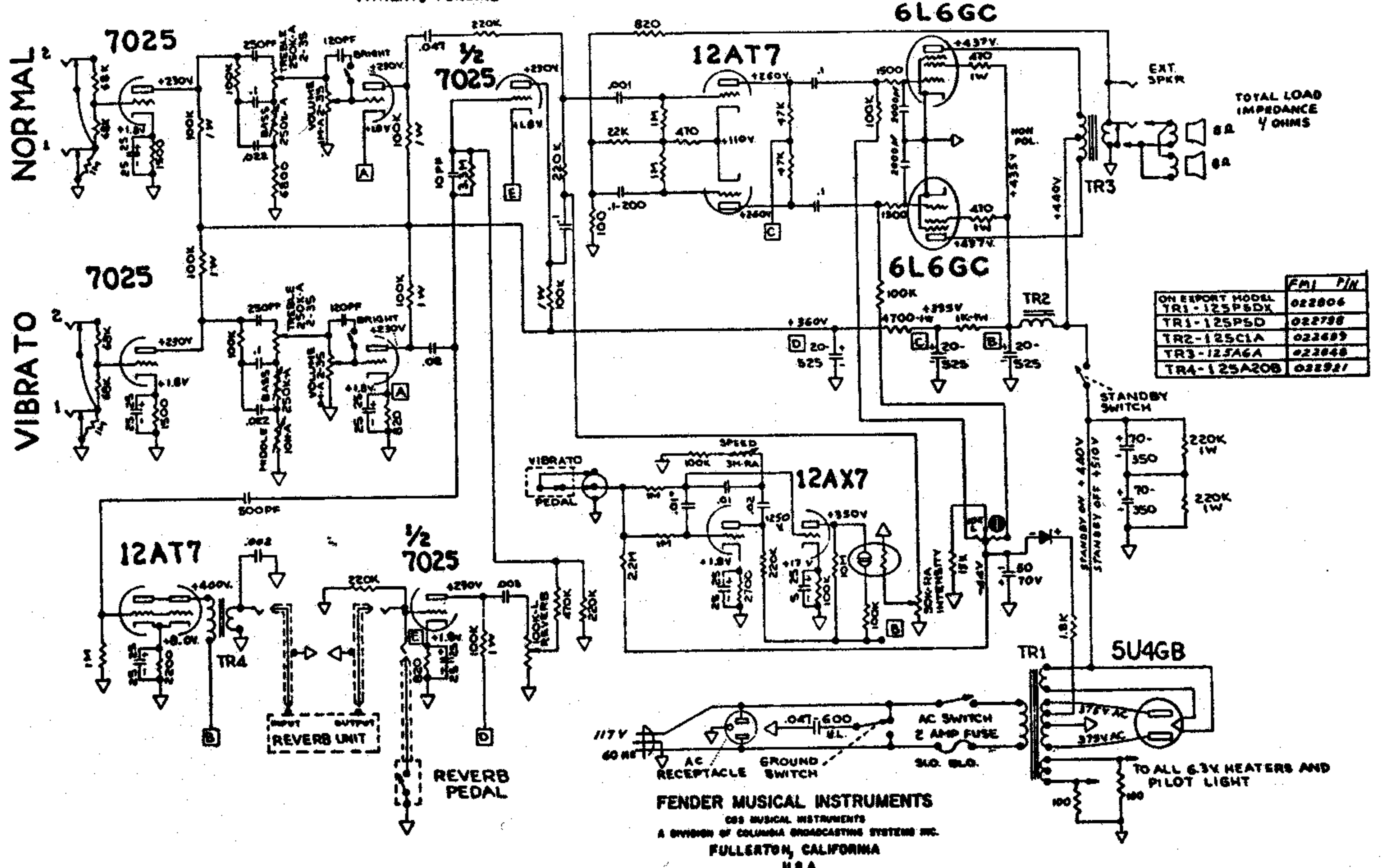
FENDER MODEL

"PRO REVERB-AMP AA1069" SCHEMATIC

NOTICE

THIS PRODUCT MANUFACTURED UNDER ONE OR MORE OF THE FOLLOWING U.S. PATENTS-
 CIRCUIT PATENT #2817708, #2973681
 DESIGN PATENT #102859
 PATENTS PENDING

1. VOLTAGES READ TO GROUND WITH ELECTRONIC VOLTMETER.
2. ALL RESISTORS 1/2 WATT 10% TOLERANCE IF NOT SPECIFIED.
3. ALL CAPACITORS AT LEAST 400 VOLT RATING IF NOT SPECIFIED.
4. ALL VOLTAGES READ WITH VIBRATO PEDAL GROUNDING AND NO INPUT SIGNAL.



ON EXPORT MODEL	FMI P/N
TR1-125P6DX	022806
TR1-125P5D	022798
TR2-125C1A	022689
TR3-125A6A	022648
TR4-125A20B	022921

FENDER MUSICAL INSTRUMENTS
 CBS MUSICAL INSTRUMENTS
 A DIVISION OF COLUMBIA BROADCASTING SYSTEMS INC.
 FULLERTON, CALIFORNIA
 U.S.A.

DRAWN F 10-K-69		DWG. TITLE	
SCHEMATIC & WIRING DIAGRAM		PRO REVERB-AMP	
TUBE TYPE		REV	
D	INCORPORATES ECO #1428 1-15-69	SIZE	DWG. NO.
C	INCORPORATES ECO #1428 1-15-69	SCALE	047753
B	INCORPORATES ECO #1081 6-10-68	MODEL	PRO REVERB-AMP
REVISIONS		SHEET 1 OF 2	
		AMPLIFIER TT	

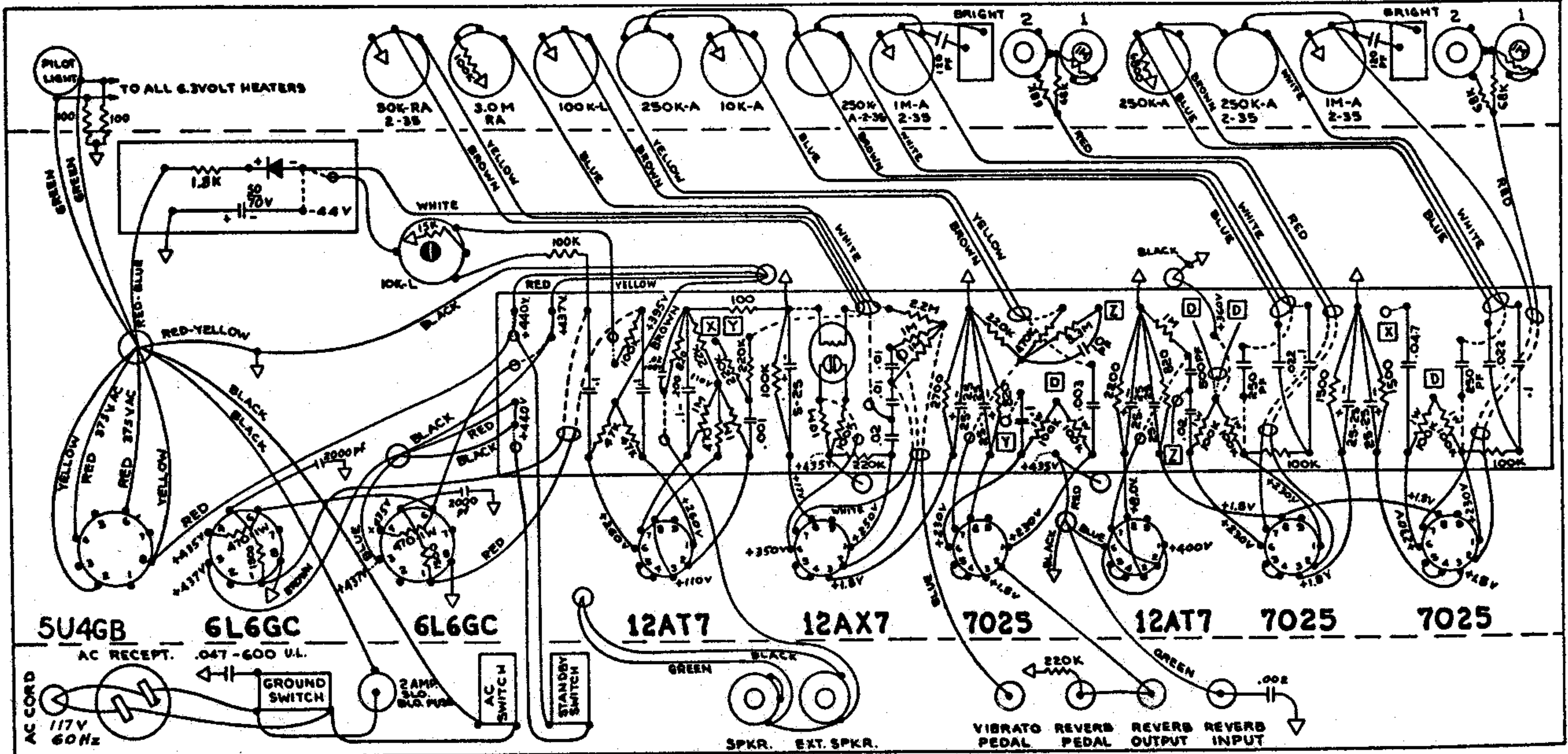
FENDER MODEL

"PRO REVERB-AMP A1069" LAYOUT

NOTICE

VOLTAGES READ TO GROUND WITH ELECTRONIC VOLT METER WITH VIBRATO-GROUNDED, NO INPUT SIGNAL.

INTENSITY SPEED REVERB BASS MIDDLE TREBLE VOLUME VIBRATO BASS TREBLE VOLUME NORMAL



NOTE: ALL RESISTORS 1/2 WATT 10% TOLERANCE, IF NOT SPECIFIED.

NOTE: ALL CAPACITORS AT LEAST 600 VOLT RATING IF NOT SPECIFIED.

FENDER MUSICAL INSTRUMENTS
 CBS MUSICAL INSTRUMENTS
 A DIVISION OF COLUMBIA BROADCASTING SYSTEMS INC.
 FULLERTON, CALIFORNIA
 U.S.A.

DATE: F 10-16-69
 APPROVED: [Signature]

DWG. NO. 047753
 SCHEMATIC & WIRING DIAGRAM
 PRO REVERB-AMP

REV	DATE	BY	SCALE	MODEL	TUBE TYPE	SHEET	OF
D	10-20-69	[Signature]			PRO REVERB-AMP	2	OF 2
C	1-6-69	[Signature]					
A	6-10-68	[Signature]					