

FENDER  
MODEL

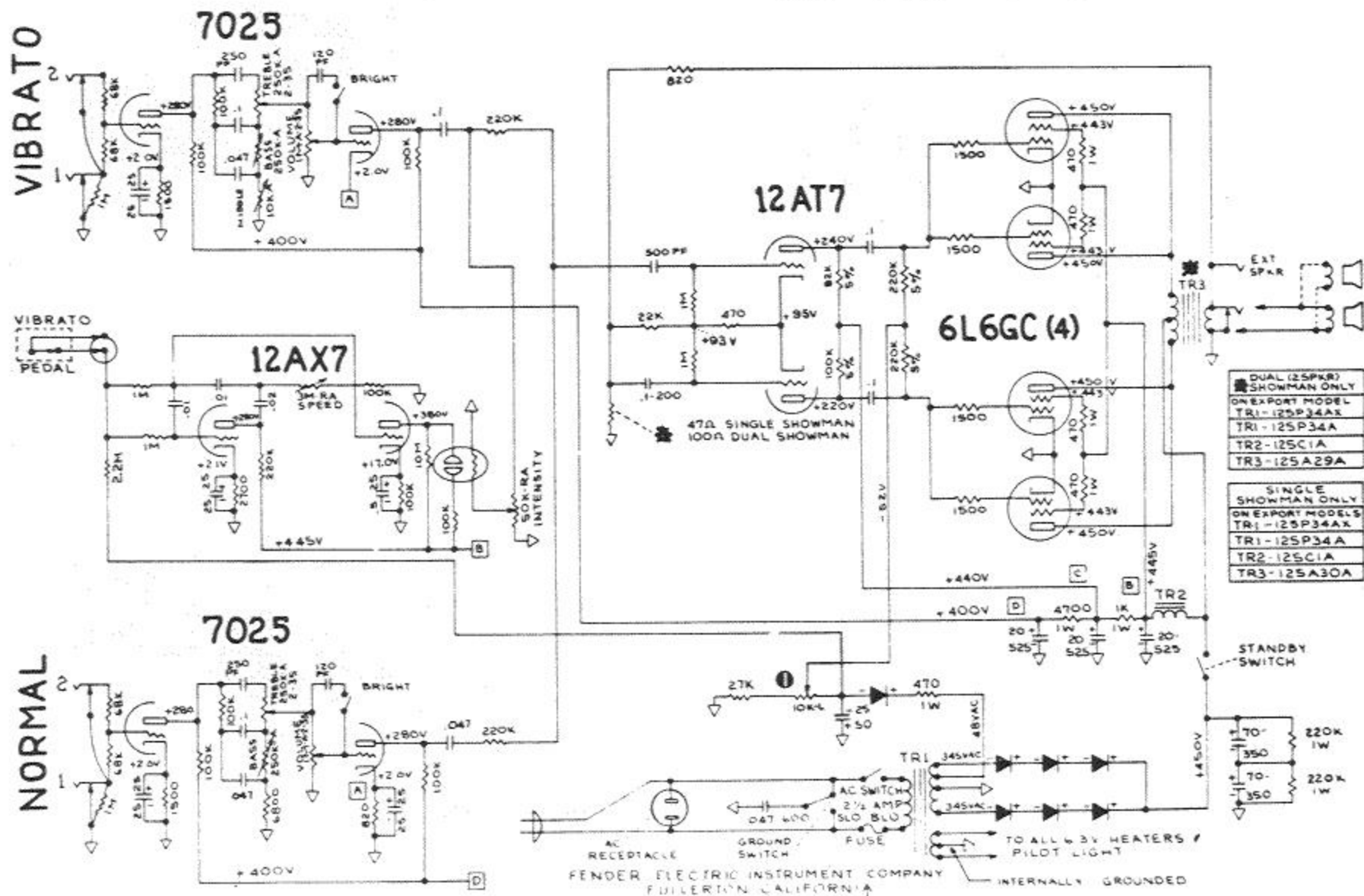
# "SHOWMAN-AMP AB763" SCHEMATIC P/B

NOTICE

THIS PRODUCT MANUFACTURED UNDER ONE OR MORE OF THE FOLLOWING U.S. PATENTS:  
#2617708, #2973681, 192859 / PATENTS PENDING

C-FD

1. VOLTAGES READ TO GROUND WITH ELECTRONIC VOLT METER. VALUES SHOWN + OR - 20%.
2. ALL RESISTORS 1/2 WATT 10% TOLERANCE IF NOT SPECIFIED.
3. ALL CAPACITORS AT LEAST 400 VOLT RATING IF NOT SPECIFIED.



DUAL (25P34)
ON EXPORT MODEL
TR1-125P34AX
TR1-125P34A
TR2-125C1A
TR3-125A29A

SINGLE
SHOWMAN ONLY
ON EXPORT MODEL
TR1-125P34AX
TR1-125P34A
TR2-125C1A
TR3-125A30A