

FENDER
MODEL

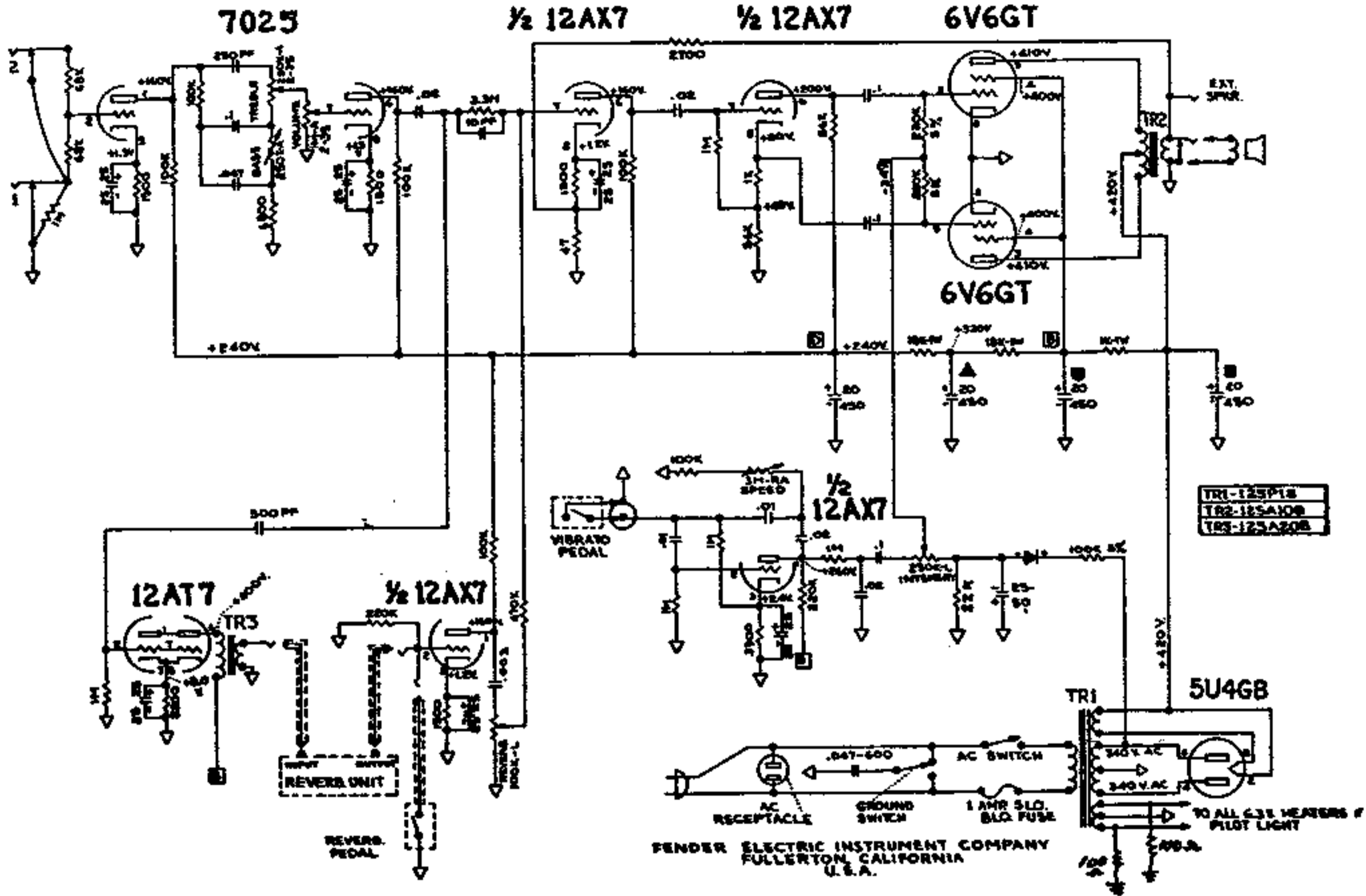
PRINCETON REVERB-AMP AA1164" SCHEMATIC NOTICE

THIS PRODUCT MANUFACTURED UNDER ONE OR MORE OF THE FOLLOWING U.S. PATENTS-
#2817708, 2973681, 182659 / PATENTS PENDING.

1. VOLTAGES READ TO GROUND WITH ELECTRONIC VOLTMETER. VALUES SHOWN + OR - 20%.
2. ALL RESISTORS 1/2 WATT 10% TOLERANCE IF NOT SPECIFIED.
3. ALL CAPACITORS AT LEAST 400 VOLT RATING IF NOT SPECIFIED.

K-FD

INSTRUMENTS



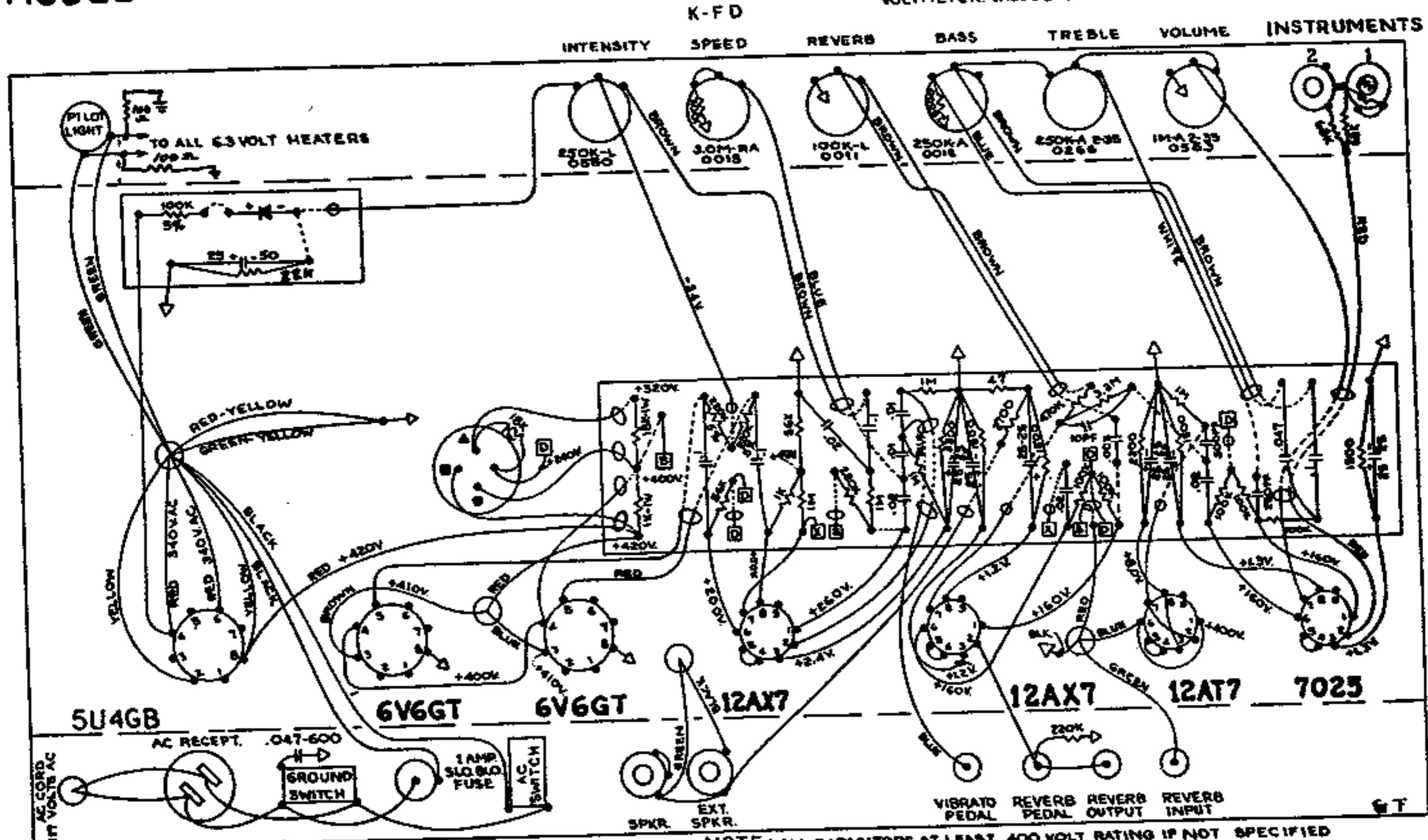
FENDER ELECTRIC INSTRUMENT COMPANY
FULLERTON, CALIFORNIA
U.S.A.

FENDER MUSICAL INSTRUMENTS
605 MUSICAL INSTRUMENTS
A DIVISION OF GILSON ELECTRONICS SYSTEMS INC.
FULLERTON CALIFORNIA
U.S.A.

DRAWING			
SCHEMATIC & WIRING DIAGRAM			
AA1164			
PRINCETON REVERB AMP			
REV. NO.	REV.	DATE	BY
57	D	045427	A
SCALE	APPROVED BY	DATE	SHEET 1 OF 2

FENDER "PRINCETON REVERB-AMP AA1164" LAYOUT NOTICE

VOLTAGES READ TO GROUND WITH ELECTRONIC VOLTMETER. VALUES SHOWN +OR- 20%



NOTE: ALL RESISTORS 1/2 WATT 10% TOLERANCE, IF NOT SPECIFIED.

NOTE: ALL CAPACITORS AT LEAST 400 VOLT RATING IF NOT SPECIFIED

FENDER ELECTRIC INSTRUMENT COMPANY
FULLERTON, CALIFORNIA
U.S.A.