

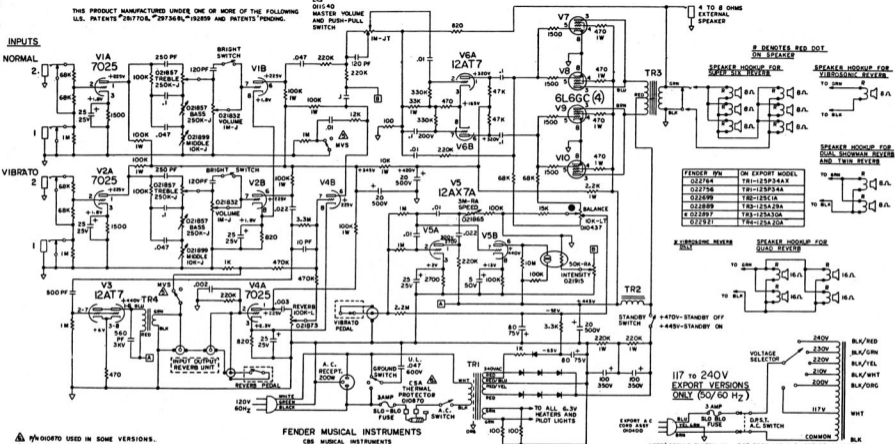
THIS PRODUCT MANUFACTURED UNDER ONE OR MORE OF THE FOLLOWING U.S. PATENTS 2877708, 2973681, 192899 AND PATENTS PENDING.

⚠️ 015-40  
MASTER VOLUME AND PUSH-PULL SWITCH

**INPUTS**

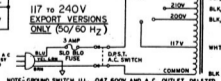
**NORMAL**

**VIBRATO**



- ⚠️ P/N 010470 USED IN SOME VERSIONS.
- ⚠️ MASTER VOLUME PUSH-PULL SWITCH DESIGNATED MVS SHOWN IN 'OUT' POSITION, PUSH IN FOR PURE SOUND. USED IN SOME VERSIONS.
- 4. FENDER P/N FOR CONTROLS INDICATED.
- 3. ALL CAPACITORS AT LEAST 600V, W.V.D.C.
- 2. ALL RESISTORS 1/2 WATT ± 10%.
- 1. VOLTAGES READ TO GROUND WITH V.T.V.M. WITH VIBRATO GROUNDING (EXCEPT V5) - NO INPUT SIGNAL.

FENDER MUSICAL INSTRUMENTS  
CBS MUSICAL INSTRUMENTS  
A DIVISION OF COLUMBIA BROADCASTING SYSTEMS INC.  
FULLERTON, CALIFORNIA  
U.S.A.



NOTE: GROUND SWITCH, U.L. .047 600V AND A.C. OUTLET DELETED

MODEL NO.	USED ON	UNLESS OTHERWISE SPECIFIED	DATE	BY
VIBROSONIC REV. EXP.	11/17/71	ROSALES	11/17/71	
VIBROSONIC REVERSE 1				
SUPER SIX REVERSE EXP.				
QUAD REVERSE (EXPORT)				
DUAL SHOWMAN REV. EXP.				
TWIN REVERSE EXPORT				
SUPER SIX REVERSE				
QUAD REVERSE				
DUAL SHOWMAN REVERSE				
TWIN REVERSE				

SCALE: 1" = 1" (DIMENSIONS UNLESS OTHERWISE SPECIFIED)

DATE: 11/17/71

BY: ROSALES

SCALE: 1" = 1" (DIMENSIONS UNLESS OTHERWISE SPECIFIED)

DATE: 11/17/71

BY: ROSALES

**CBS** MUSICAL INSTRUMENTS  
FULLERTON, CALIFORNIA

**— SCHEMATIC —**

**100 WATTS RMS AMP**  
**W/REVERSE AND VIBRATO**

REV. NO. 1  
REV. DATE 11/17/71  
SCALE 1" = 1"  
FORM SEVERAL  
PART 1 OF 1

010182