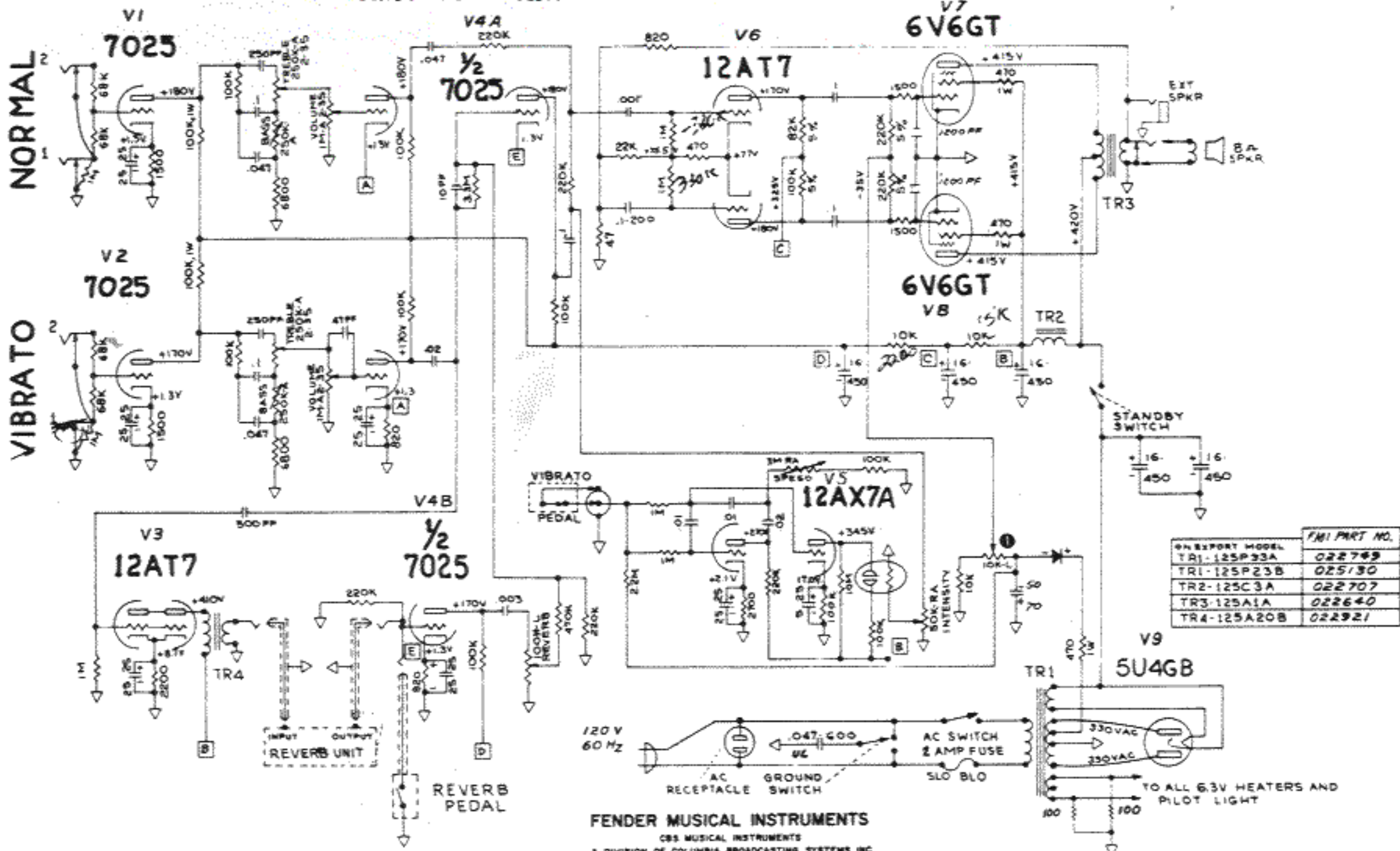


FENDER "DELUXE REVERB-AMP AB 868" SCHEMATIC NOTICE

THIS PRODUCT MANUFACTURED UNDER ONE OR MORE OF THE FOLLOWING U.S. PATENTS:
 CIRCUIT PATENT # 2817708, # 2973681
 DESIGN PATENT # 192859

- 1 - VOLTAGES READ TO GROUND WITH ELECTRONIC VOLTMETER. VALUES SHOWN + OR - 20%.
- 2 - ALL RESISTORS 1/2 WATT 10% TOLERANCE IF NOT SPECIFIED.
- 3 - ALL CAPACITORS AT LEAST 400VOLT RATING IF NOT SPECIFIED.



EXPORT MODEL	FBI PART NO.
TR1-125P33A	022769
TR1-125P23B	025130
TR2-125C3A	022707
TR3-125A1A	022640
TR4-125A20B	022921

FENDER MUSICAL INSTRUMENTS
 CBS MUSICAL INSTRUMENTS
 A DIVISION OF COLUMBIA BROADCASTING SYSTEMS INC.
 FULLERTON CALIFORNIA
 U.S.A.

DWN	R. Rivera	REV	5-24-68	MUSICAL INSTRUMENTS SANTA ANA, CALIFORNIA
CHK		DATE		
APPO		DATE		
APPO		DATE		
DWG. TITLE SCHEMATIC & WIRING DIAGRAM DELUXE REV-AMP AB 868				REL. NO. 520
APPROVAL -				
APPROVAL -				DWG. NO. 045450
SCALE NONE				REV. C
MODEL DELUXE REV AMP TUBE TYPE 12A7				SHEET 1