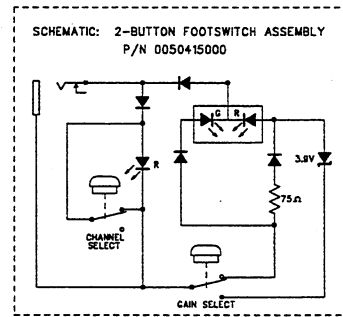
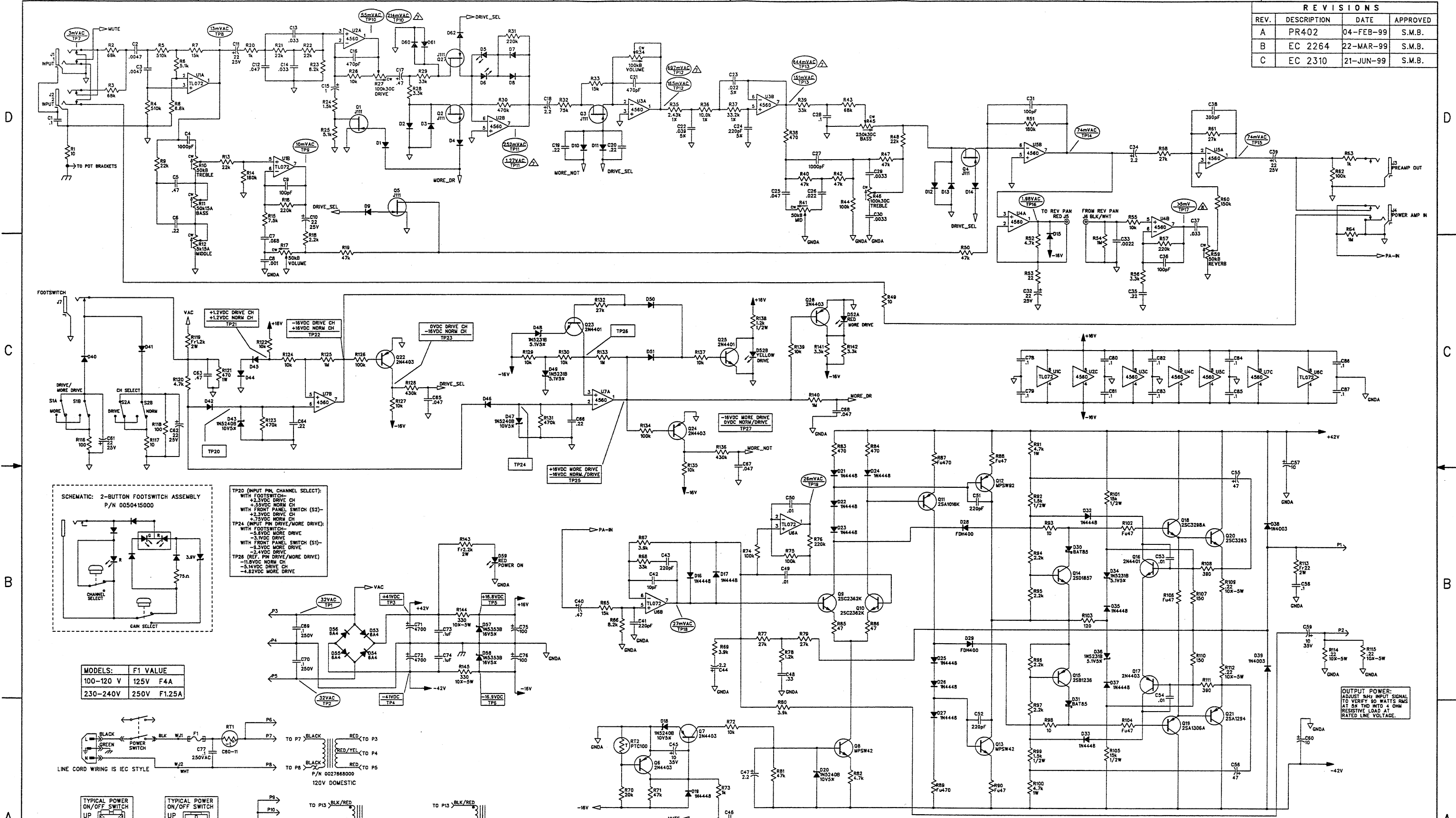
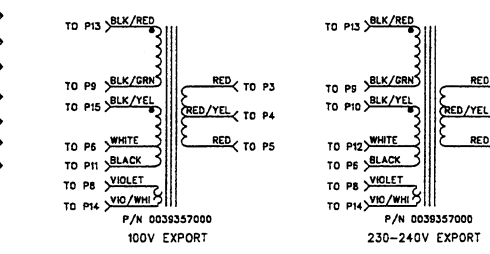
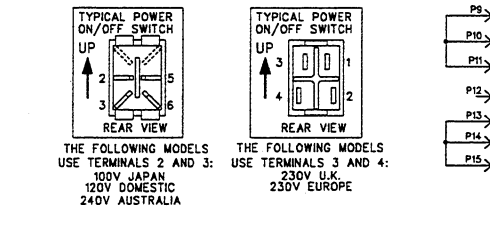
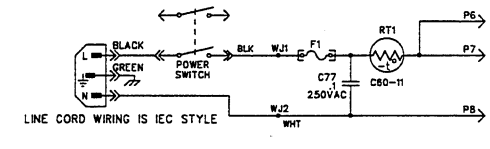


REVISIONS			
REV.	DESCRIPTION	DATE	APPROVED
A	PR402	04-FEB-99	S.M.B.
B	EC 2264	22-MAR-99	S.M.B.
C	EC 2310	21-JUN-99	S.M.B.



TP20 (INPUT PIN CHANNEL SELECT):
 WITH FOOTSWITCH:
 +1.2VDC DRIVE CH
 +1.2VDC NORM CH
 WITH FRONT PANEL SWITCH (S2):
 +2.3VDC DRIVE CH
 +2.3VDC NORM CH
TP24 (INPUT PIN DRIVE/MORE DRIVE):
 WITH FOOTSWITCH:
 -5.6VDC MORE DRIVE
 WITH FRONT PANEL SWITCH (S1):
 -3.3VDC DRIVE
 -2.4VDC MORE DRIVE
TP28 (REF. PIN DRIVE/MORE DRIVE):
 -11.8VDC NORM CH
 -5.14VDC DRIVE CH
 -4.82VDC MORE DRIVE

MODELS:	F1 VALUE
100-120 V	125V F4A
230-240V	250V F1.25A



6. AC AND DC VOLTAGES READ TO GROUND WITH A DVM UNDER THE FOLLOWING CONDITIONS:
 UNIT AT RATED LINE VOLTAGE
 NO INPUT SIGNAL (TP1-TP6, TP20-TP26 ONLY)
 VOLTAGES MAY VARY +/-20%
 ADDITIONAL CONDITIONS FOR TP7-TP16:
 3mV, 1kHz SINEWAVE INPUT SIGNAL AT J1
 4 OHM RESISTIVE LOAD AT P1-P2
 CH SELECT (S2) IN "DRIVE SELECT (S1) OUT "YELLOW"
 DRIVE CONTROL AT "3" ALL OTHER CONTROLS AT "1"
 ALL OTHER CONTROLS AT "1" (50% ROTATION)

9. LAST REFERENCE DESIGNATORS: C76, D62, J7, P15, Q26, R44, S2, TP21, U7, W59
 TP17 VARIES AND IS DEPENDENT UPON SPECIFIC EXITATION FREQUENCY AND PARTICULAR REVERSE PAN FREQUENCY RESPONSE
 ADDITIONAL CONDITION FOR TP10-TP13: DRIVE SELECT (S1) IN "RED"

10. THIS SCHEMATIC IS FOR PCB FABRICATION P/N 0054281000 AND PCB ASSEMBLY P/N 0054282000.

11. ALL DIODES ARE 1N4448.

12. ALL POLARIZED CAPACITORS IN uF, 20% 50V MINIMUM.

13. ALL UNPOLARIZED CAPACITORS IN uF, 10% OR BETTER; 50V MINIMUM. (POWER SUPPLY BYPASS CAPACITORS ARE 20%).

14. ALL RESISTORS IN OHMS, 5% 1/4W.

NOTES: (UNLESS OTHERWISE NOTED)

THIS DOCUMENT CONTAINS INFORMATION OF A PROPRIETARY NATURE TO FENDER MUSICAL INSTRUMENTS AND IS SUBMITTED TO YOU IN CONFIDENCE AND SHALL NOT BE DISCLOSED OR TRANSMITTED TO OTHERS WITHOUT AUTHORIZATION FROM FENDER MUSICAL INSTRUMENTS.

Fender MUSICAL INSTRUMENTS
 2621 Research Drive
 Corona, CA 91720 USA

CHECKED BY: *B. Desi* TITLE: SERVICE DIAGRAM, COMBINED (schematic)
 DATE: 22-JUN-99 DELUXE 90 AMPLIFIER

APPROVED BY: *S. Bankhead*
 DATE: 6-22-99

DRAWN: S.BANKHEAD ENGR: S.BANKHEAD
 DATABASE FILE: Z402S.SCH

SIZE	DRAWING NUMBER	REV.
D	0054284000	C

RELEASE DATE: 03-FEB-99 SHEET: 1 OF 2

8

7

6

5

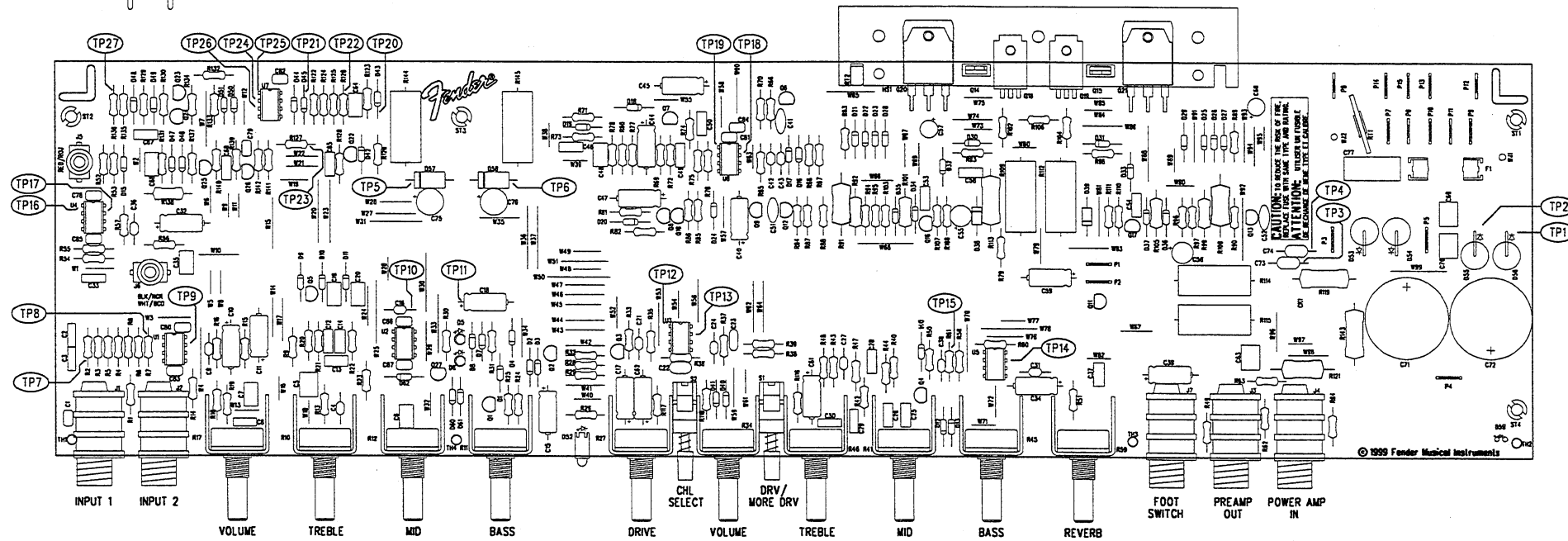
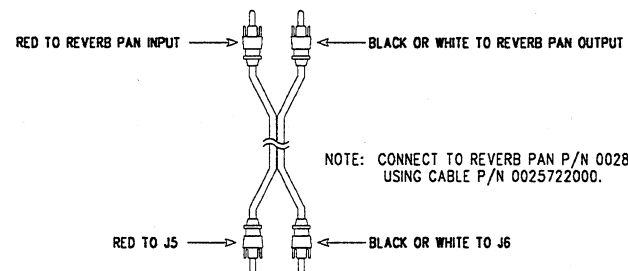
4

3

2

1

REVISIONS			
REV.	DESCRIPTION	DATE	APPROVED
A	PR402	03-FEB-99	S.M.B.
B	EC 2264	03-MAR-99	S.M.B.
C	EC 2310	21-JUN-99	S.M.B.



FILM/REV: SERVICE DIAGRAM
 DATABASE: 2402P.PCB DATE: 21-JUN-99

<small>THIS DOCUMENT CONTAINS INFORMATION OF A PROPRIETARY NATURE TO FENDER MUSICAL INSTRUMENTS AND IS SUBMITTED TO YOU IN CONFIDENCE AND SHALL NOT BE DISCLOSED OR TRANSMITTED TO OTHERS WITHOUT AUTHORIZATION FROM FENDER MUSICAL INSTRUMENTS.</small>		MUSICAL INSTRUMENTS 2621 Research Drive Corona, CA 91720 USA	
CHECKED BY: <i>B. Venz</i>	DATE: <i>22-JUN-99</i>	TITLE: SERVICE DIAGRAM, COMBINED (PCB assy) DELUXE 90 AMPLIFIER	
APPROVED BY: <i>S. Sandhead</i>	DATE: <i>6-22-99</i>	SIZE: D	DRAWING NUMBER: 0054284000
DRAWN: R.MURRAY	ENGR: S.SANDHEAD	RELEASE DATE: 03-FEB-99	SHEET 2 OF 2
DATABASE FILE: 2402P.PCB			REV. C

1. SEE SHEET 1 FOR PRIMARY, WIRING, TEST CONDITIONS & TEST POINT VALUES.

NOTES: (UNLESS OTHERWISE NOTED)

8

7

6

5

4

3

2

1