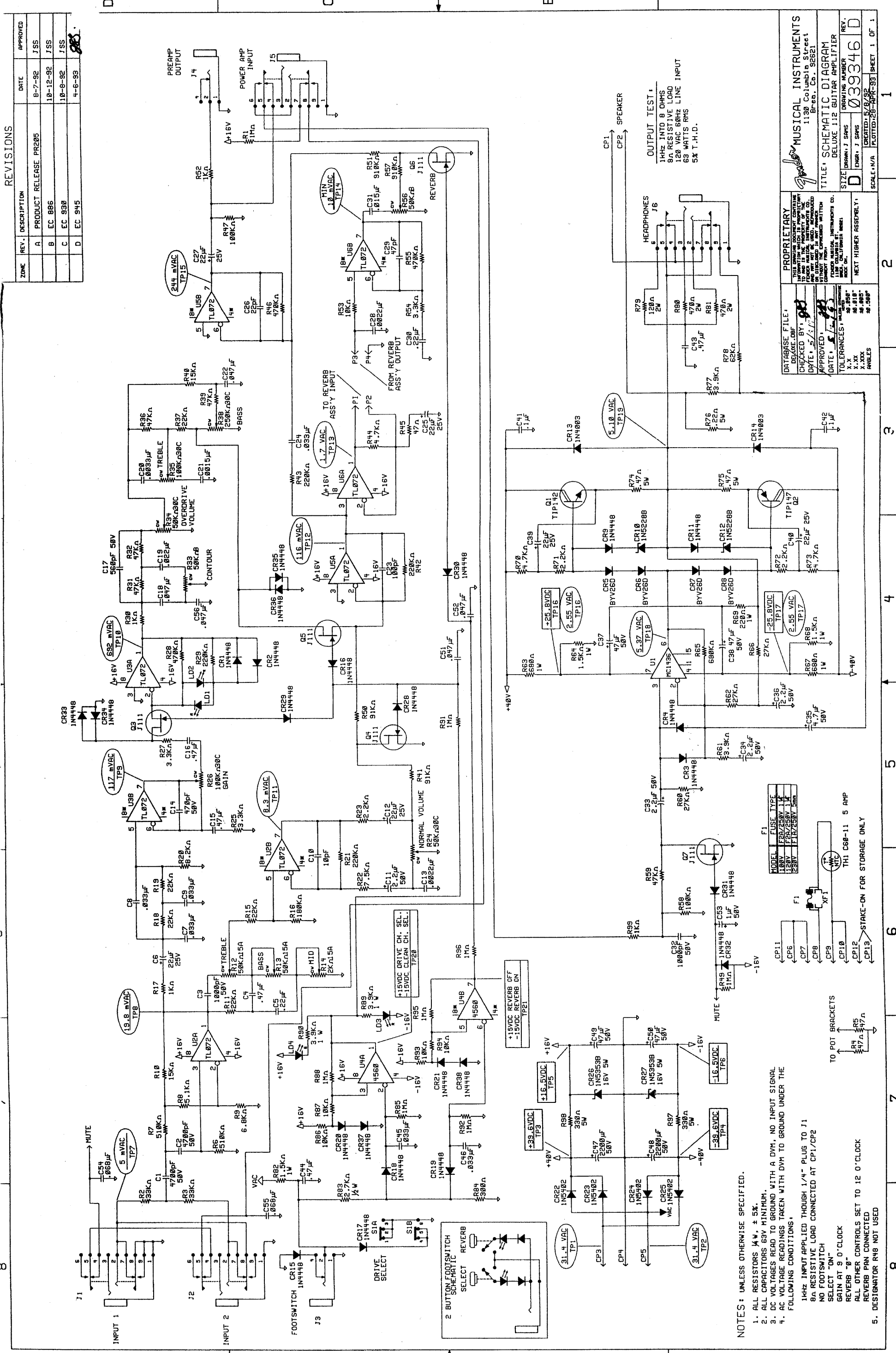


REVISIONS

ZONE	REV.	DESCRIPTION	DATE	APPROVED
	A	PRODUCT RELEASE PR205	8-7-92	JSS
	B	EC 886	10-12-92	JSS
	C	EC 930	10-8-92	JSS
	D	EC 945	4-6-93	JSS

0039347000



- NOTES: UNLESS OTHERWISE SPECIFIED.
1. ALL RESISTORS 1/4 W, ± 5%.
  2. ALL CAPACITORS 63V MINIMUM.
  3. DC VOLTAGES READ TO GROUND WITH A DVM, NO INPUT SIGNAL.
  4. AC VOLTAGE READINGS TAKEN WITH DVM TO GROUND UNDER THE FOLLOWING CONDITIONS:  
 1KHZ INPUT APPLIED THROUGH 1/4" PLUG TO J1  
 NO RESISTIVE LOAD CONNECTED AT CP1/CP2  
 NO FOOTSWITCH  
 SELECT "ON"  
 GAIN AT 9 O'CLOCK  
 REVERB "0"  
 ALL OTHER CONTROLS SET TO 12 O'CLOCK  
 REVERB PAN CONNECTED  
 5. DESIGNATOR R48 NOT USED

FUSE TYPE

MODEL	FUSE TYPE
110V	F2A/250V 1A
120V	F2A/250V 1A
230V	F1A/250V 50mA

PROPRIETARY  
 THIS DRAWING DOCUMENT CONTAINS  
 TRADE SECRETS AND IS THE PROPERTY OF  
 FENDER MUSICAL INSTRUMENTS CO.  
 NO OTHER REPRODUCTION OR  
 DISSEMINATION IS PERMITTED  
 WITHOUT THE WRITTEN CONSENT OF  
 FENDER MUSICAL INSTRUMENTS CO.  
 MADE IN U.S.A.

DATABASE FILE: DELUXE.DBF  
 CHECKED BY: JSS  
 DATE: 5/1/93  
 APPROVED: JSS  
 DATE: 5/1/93  
 TOLERANCES: 1/16" UNLESS OTHERWISE SPECIFIED  
 X.XX  
 X.XXX  
 ANGLES 38° UNLESS OTHERWISE SPECIFIED

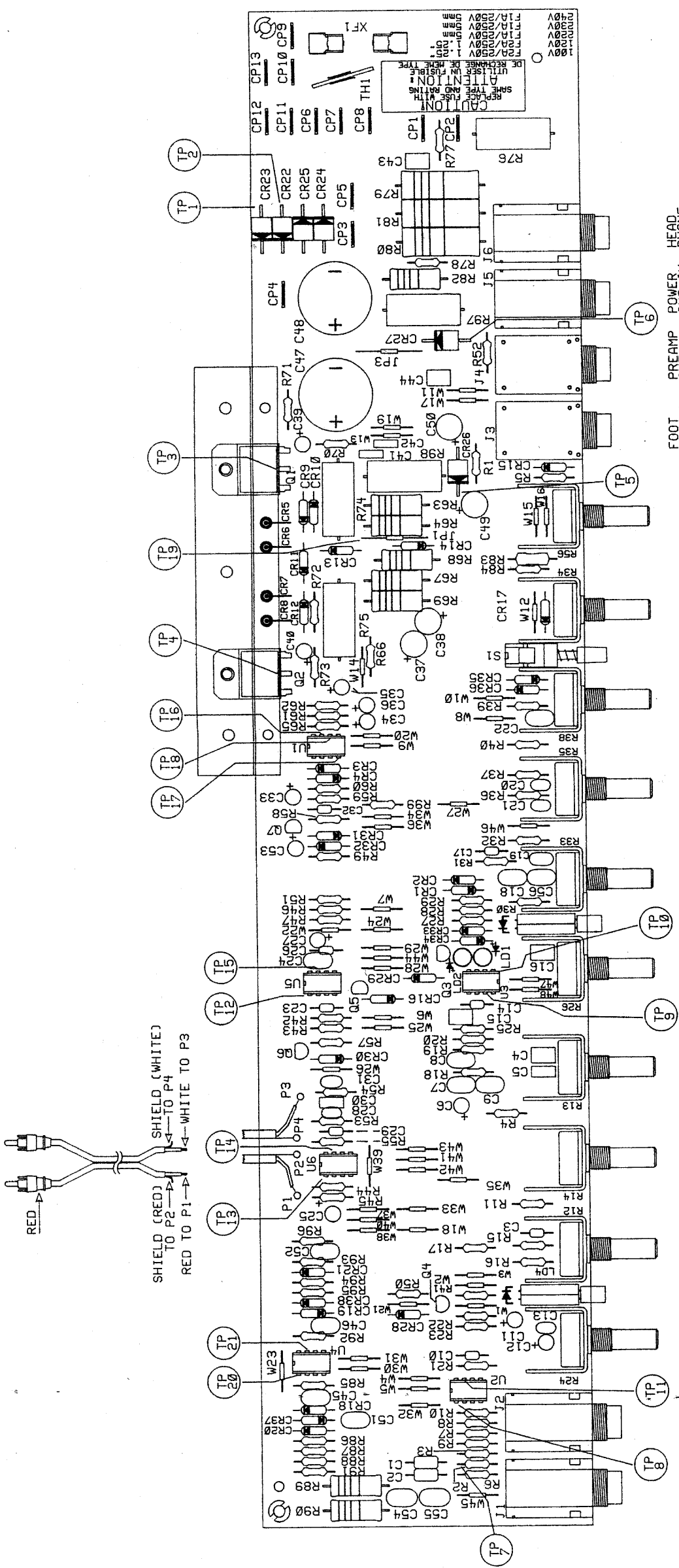
MUSICAL INSTRUMENTS  
 1130 Columbia Street  
 Brea, Ca. 92621

TITLE: SCHEMATIC DIAGRAM  
 DELUXE 112 GUITAR AMPLIFIER  
 DRAWING NUMBER: 039346  
 REV. D  
 ENGR: JSS  
 CREATED: 5/1/93  
 PLOTTED: 28-MAR-93 SHEET 1 OF 1

1 2 3 4 5 6 7 8

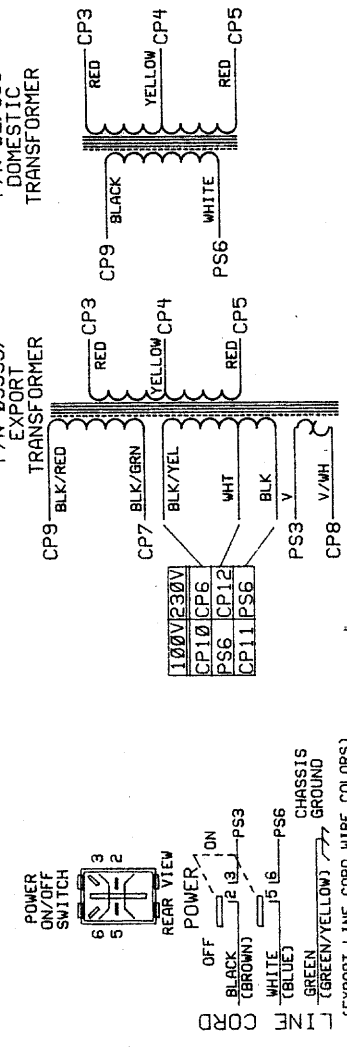
REVISIONS

ZONE	REV. DESCRIPTION	DATE	APPROVED
A	PRODUCT RELEASE PR205	8-7-92	JSS
B	EC 886	10-12-92	



INPUT 1 INPUT 2 VOLUME TREBLE MID BASS GAIN CONTOUR TREBLE BASS SELECT VOLUME REVERB FOOT SWITCH PREAMP OUT HEAD PHONE

FILM/DWG: SERVICE DIAGRAM  
 DATABASE: DELUXPB.DBF DATE: 13-OCT-92  
 LAYERS PLOTTED: 1 2 3 4 10 11 18



POWER ON/OFF SWITCH  
 REAR VIEW  
 OFF ON  
 BLACK (BROWN) PS3  
 WHITE (BLUE) PS6  
 GREEN (GREEN/YELLOW) GROUND  
 LINE CORD (EXPORT LINE CORD WIRE COLORS)

**Fender MUSICAL INSTRUMENTS**  
 1130 Columbia Street  
 Brea, Ca. 92621

TITLE: SERVICE DIAGRAM  
 DELUXE 112 GUITAR AMPLIFIER

SIZE: DRAWN: JS SAMS ENGR: JS SAMS  
 DRAWING NUMBER: 039348  
 REV. B

SCALE: N/A SHEET 1 OF 1

PROPRIETARY  
 THIS DRAWING DOCUMENT CONTAINS INFORMATION WHICH IS PROPRIETARY TO FENDER MUSICAL INSTRUMENTS CO. AND MAY NOT BE USED, REPRODUCED OR DISCLOSED IN ANY MANNER WITHOUT THE EXPRESSED WRITTEN CONSENT FROM FENDER MUSICAL INSTRUMENTS CO.  
 1130 COLUMBIA ST  
 BREA, CALIFORNIA 92621

ROCK ON!  
 NEXT HIGHER ASSEMBLY:

TOLERANCES: UNLESS OTHERWISE SPECIFIED:  
 X.X ±0.050"  
 X.XX ±0.010"  
 X.XXX ±0.005"  
 ANGLES ±0.5000°

DATABASE FILE: DELUXPB.DBF  
 CHECKED BY:  
 DATE:  
 APPROVED:  
 DATE: