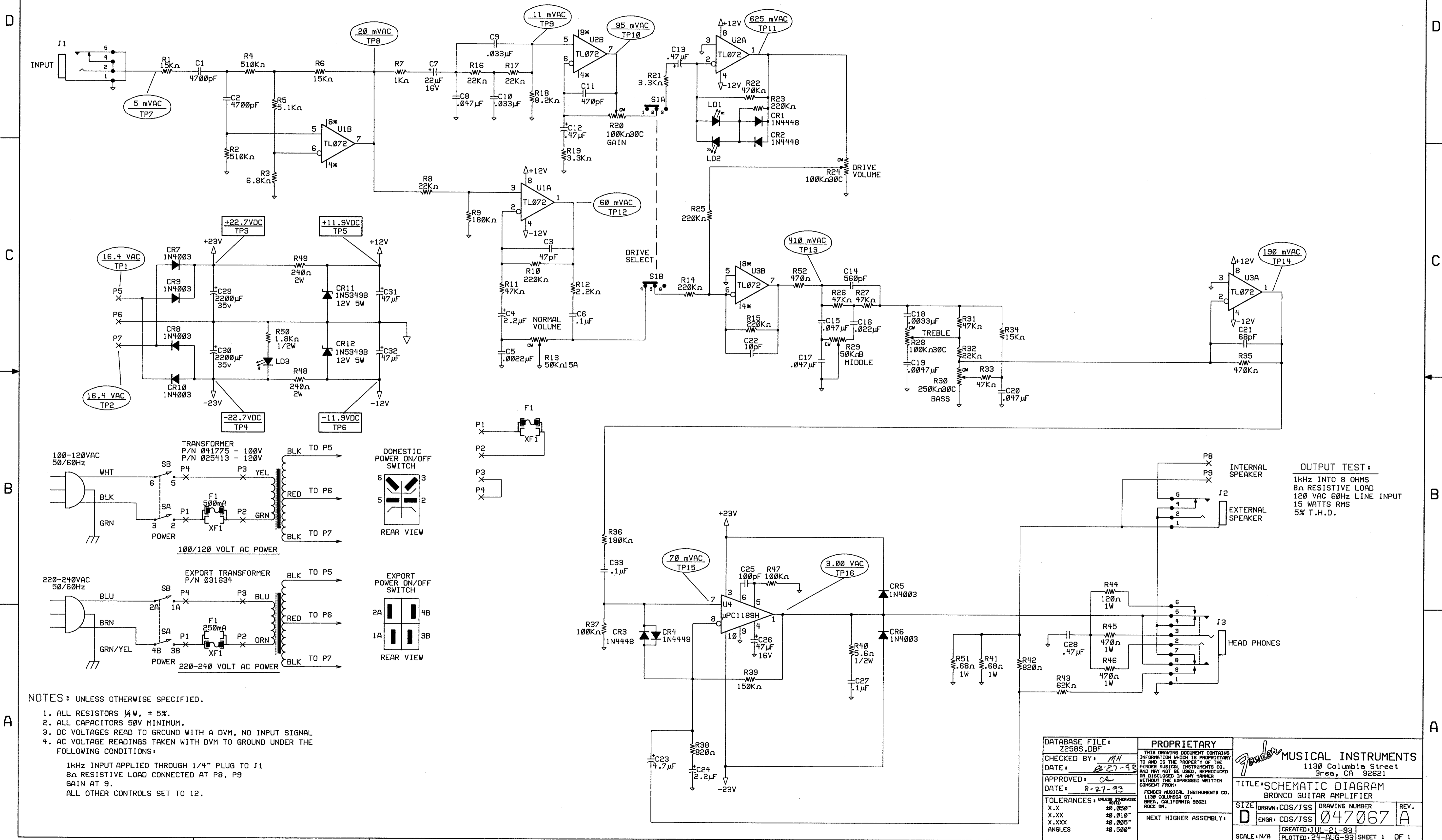


REVISIONS				
ZONE	REV.	DESCRIPTION	DATE	APPROVED
	A	PR 258	AUG-20-93	<i>ca</i>



**OUTPUT TEST:**  
 1kHz INTO 8 OHMS  
 8Ω RESISTIVE LOAD  
 120 VAC 60Hz LINE INPUT  
 15 WATTS RMS  
 5% T.H.D.

- NOTES: UNLESS OTHERWISE SPECIFIED.
1. ALL RESISTORS 1/4W, ± 5%.
  2. ALL CAPACITORS 50V MINIMUM.
  3. DC VOLTAGES READ TO GROUND WITH A DVM, NO INPUT SIGNAL
  4. AC VOLTAGE READINGS TAKEN WITH DVM TO GROUND UNDER THE FOLLOWING CONDITIONS:  
 1kHz INPUT APPLIED THROUGH 1/4" PLUG TO J1  
 8Ω RESISTIVE LOAD CONNECTED AT P8, P9  
 GAIN AT 9.  
 ALL OTHER CONTROLS SET TO 12.

DATABASE FILE: 2258S.DBF CHECKED BY: <i>MH</i> DATE: <i>8-27-93</i> APPROVED: <i>ca</i> DATE: <i>8-27-93</i> TOLERANCES: UNLESS OTHERWISE NOTED X.X     ±0.050" X.XX    ±0.010" X.XXX   ±0.005" ANGLES   ±0.500°	<b>PROPRIETARY</b> THIS DRAWING DOCUMENT CONTAINS INFORMATION WHICH IS PROPRIETARY TO AND IS THE PROPERTY OF THE FENDER MUSICAL INSTRUMENTS CO. AND MAY NOT BE USED, REPRODUCED OR DISCLOSED IN ANY MANNER WITHOUT THE EXPRESSED WRITTEN CONSENT FROM: FENDER MUSICAL INSTRUMENTS CO. 1130 COLUMBIA ST. BREA, CALIFORNIA 92621 ROCK ON. NEXT HIGHER ASSEMBLY:	<b>Fender</b> MUSICAL INSTRUMENTS 1130 Columbia Street Brea, CA 92621 TITLE: SCHEMATIC DIAGRAM BRONCO GUITAR AMPLIFIER SIZE: DRAWN: CDS/JSS   DRAWING NUMBER:   REV. D   ENGR: CDS/JSS   047067   A CREATED: JUL-21-93 PLOTTED: 24-AUG-93 SHEET 1 OF 1
--	---	--