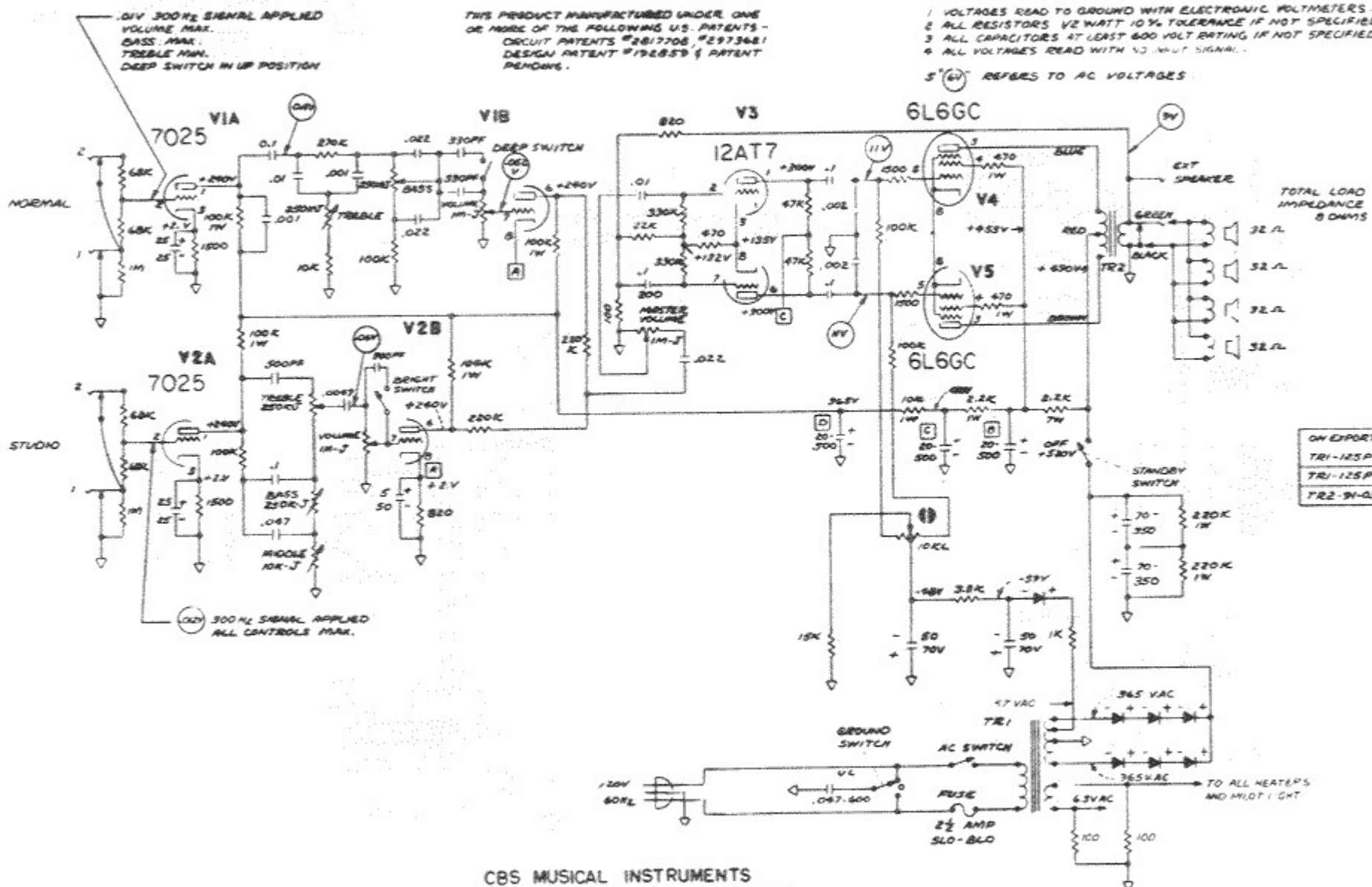


FENDER
MODEL BASSMAN TEN

SCHEMATIC

NOTICE



THIS PRODUCT MANUFACTURED UNDER ONE OR MORE OF THE FOLLOWING U.S. PATENTS -
CIRCUIT PATENTS #2817708 #2973681
DESIGN PATENT #192859 (PATENT PENDING).

- 1 VOLTAGES READ TO GROUND WITH ELECTRONIC VOLTMETERS.
- 2 ALL RESISTORS 1/2 WATT 10% TOLERANCE IF NOT SPECIFIED.
- 3 ALL CAPACITORS AT LEAST 500 VOLT RATING IF NOT SPECIFIED.
- 4 ALL VOLTAGES READ WITH 100 HERTZ SIGNAL.

5'(6V) REFERS TO AC VOLTAGES

TOTAL LOAD
IMPEDANCE
8 OHMS

OH EXPORT MODEL	CBS P/N
TR1-125P50X	022806
TR1-125P50	022798
TR2-91-032-027-00	021848

CBS MUSICAL INSTRUMENTS
A DIVISION OF COLUMBIA BROADCASTING SYSTEMS INC.
FULLERTON, CALIFORNIA
U.S.A.