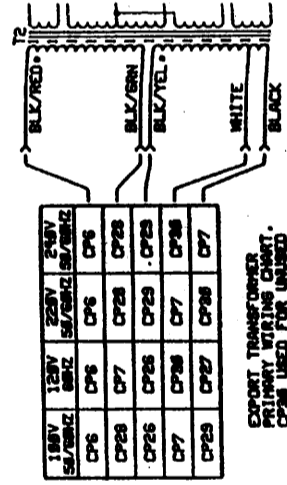
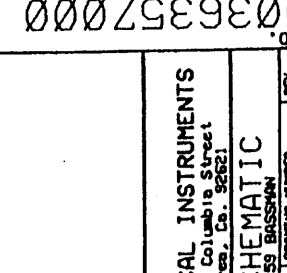
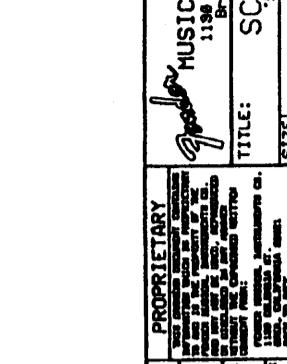
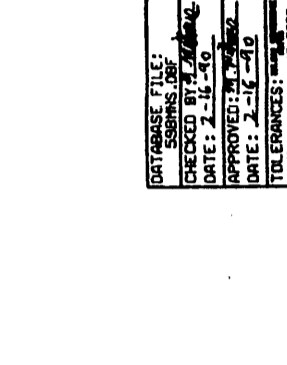


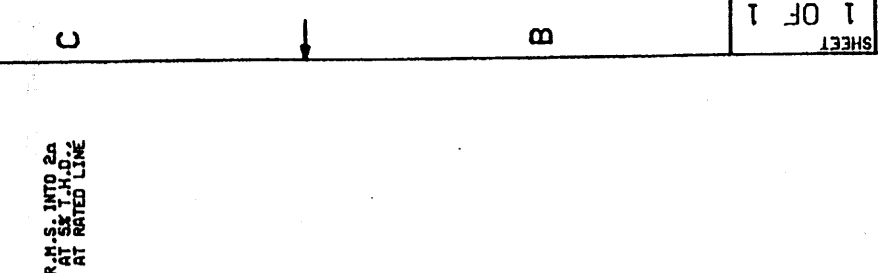
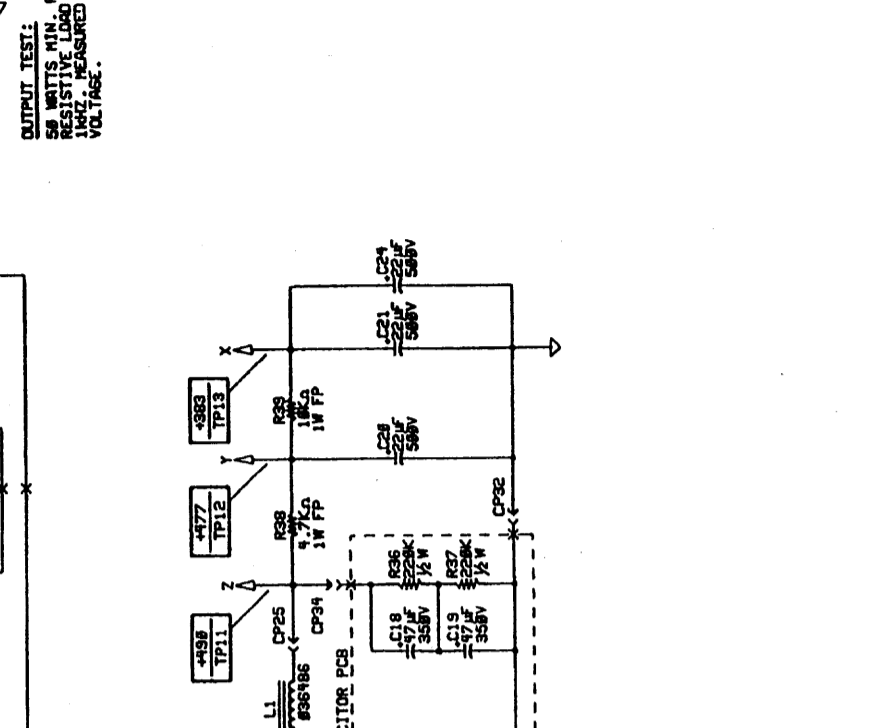
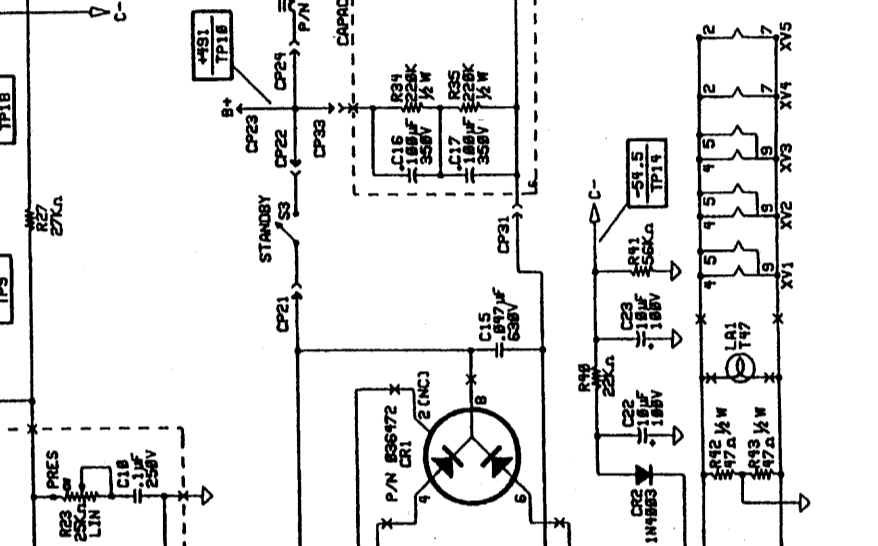
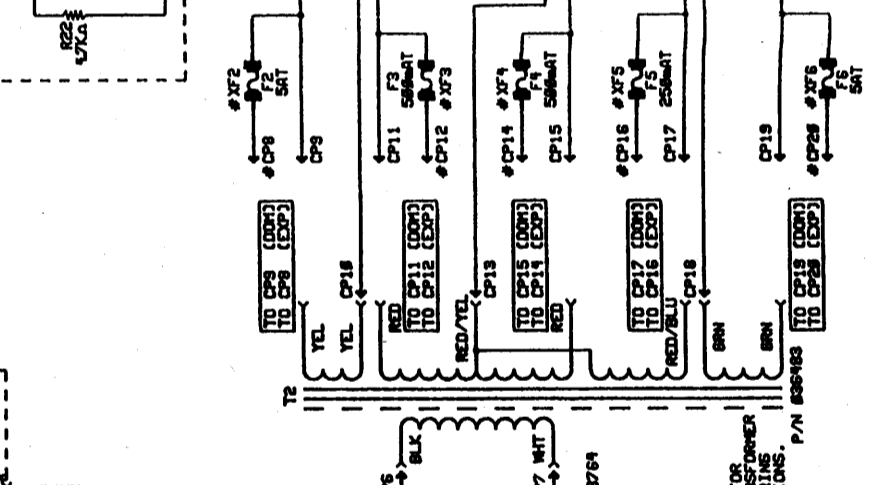
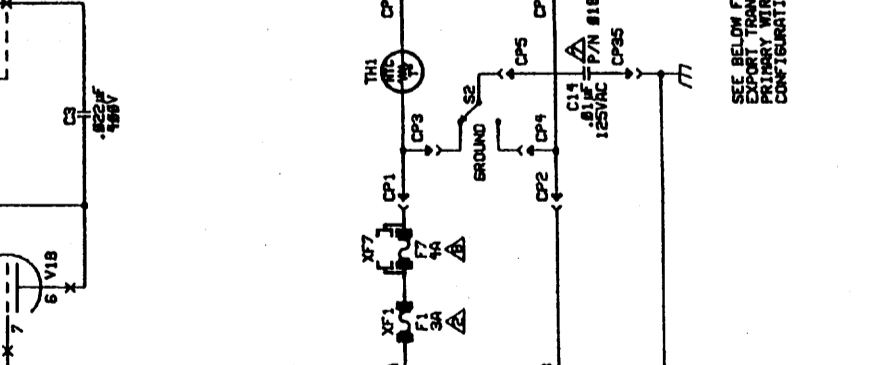
- NOTES:
- ALL RESISTORS 1/4 WATT CARBON FILM UNLESS OTHERWISE NOTED.
 - EXTERNAL LINE FUSE 3A IN 100/120V MODELS, 1.6A IN 200/240V MODELS. USING A DIA. OF AT LEAST 1/16".
 - ALL VOLTAGES MEASURED TO GROUND INPUT IMPEDANCE OF ALL CONTROLS FULL CW. DC VOLTAGES MEASURED WITH NO SIGNAL PRESENT. VOLTAGES MAY VARY 1/2-20%. VOLTAGES MEASURED AFTER 5 MINUTE WARMUP.
 - MEASURED WITH AN OSCILLOSCOPE USING A X10 PROBE.
 - X = WIRE CONNECTION.
 - SIX-DIGIT NUMBERS ARE FENDER PART NUMBERS.
 - INSTALLED IN DOMESTIC MODELS ONLY. U.I.L. AND C.S.A. RECOGNIZED.
 - INTERNAL LINE FUSE 4A IN 100/120V MODELS, 2A IN 200/240V MODELS.



ALTERNATE EXPORT POWER TRANSFORMER P/N 856484



OUTPUT TEST:
50 WATTS MIN. R.M.S. INTO 2Ω RESISTIVE LOAD AT 5% T.H.D. 1KHZ MEASURED AT RATED VOLTAGE.



REVISIONS

ZONE	REV.	DESCRIPTION	DATE	APPROVED
	A	RELEASED PR#143	2-14-90	MCA

PROPRIETARY

CHECKED BY: [Signature]

DATE: 2-16-90

APPROVED: [Signature]

DATE: 2-16-90

TOLERANCES: .1% .5% 1% 2% 5% 10% .1MM .2MM .5MM 1MM

SIZE: D

SCALE: NONE

DATE: 2/7/98

REV. A

036356

MUSICAL INSTRUMENTS
1198 Columbia Street
Beverly Hills, CA 90212

TITLE: SCHEMATIC

DESIGNED BY: [Signature]

DATE: 2-16-90

APPROVED: [Signature]

DATE: 2-16-90

TOLERANCES: .1% .5% 1% 2% 5% 10% .1MM .2MM .5MM 1MM

SIZE: D

SCALE: NONE

DATE: 2/7/98

REV. A

036356

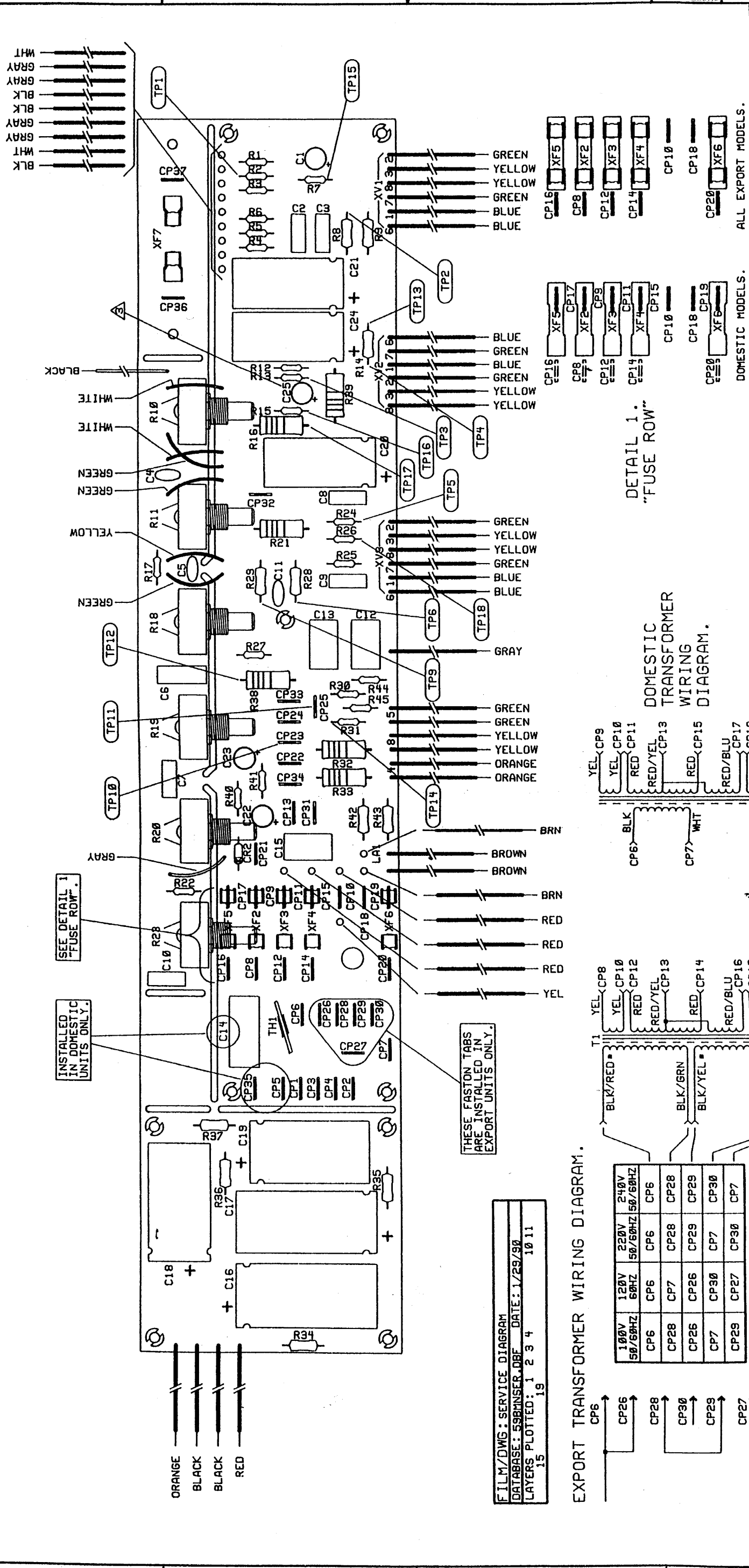
EXPORT TRANSFORMER PRIMARY WIRING CHART. CP#s USED FOR UNLDED. PRIMARY WIRE AS NOTED.

* INSTALLED IN EXPORT UNITS ONLY.

EXPORT TRANSFORMER PRIMARY WIRING CHART. CP#s USED FOR UNLDED. PRIMARY WIRE AS NOTED.

* INSTALLED IN EXPORT UNITS ONLY.

REVISIONS		DATE	APPROVED
ZONE	REV. DESCRIPTION		
	A RELEASED PR#143	2-16-90	MSB/M



FENDER MUSICAL INSTRUMENTS
1130 Columbia Street
Brea, Ca. 92621

TITLE: '59 BASSMAN SERVICE DIAGRAM

SIZE: B DRAWN: WILKENS REV. A
ENGR: WILKENS DRAWING NUMBER: 036360

SCALE: NONE DATE: 2/12/90 SHEET 1 OF 1

PROPRIETARY

THIS DRAWING DOCUMENT CONTAINS INFORMATION WHICH IS PROPRIETARY TO AND IS THE PROPERTY OF THE FENDER MUSICAL INSTRUMENTS CO. IT IS TO BE KEPT CONFIDENTIAL AND NOT DISCLOSED IN ANY MANNER WITHOUT THE EXPRESSED WRITTEN CONSENT FROM:

FENDER MUSICAL INSTRUMENTS CO.
1130 COLUMBIA ST.
BREA, CALIFORNIA 92621
TEL: 714/998-1500
TUBE MAIL: THERE IS NO CURE.

NEXT HIGHER ASSEMBLY:
'59 BASSMAN
AMPLIFIER

EXPORT TRANSFORMER WIRING DIAGRAM.

100V 50/60HZ	CP6	CP7	CP28	CP29	CP30	CP7
120V 50/60HZ	CP6	CP7	CP28	CP29	CP30	CP7
240V 50/60HZ	CP6	CP6	CP28	CP29	CP30	CP7

CP6: BLK/RED, YEL, RED, RED/YEL, RED/BLU, GRN, GRN/CP20

CP7: BLK/GRN, BLK/YEL, WHITE, BLACK

CP28: YEL, YEL/CP8, RED, RED/CP10, RED/CP12, RED/CP13, RED/CP14, RED/BLU, GRN/CP18, GRN/CP20

CP29: YEL, YEL/CP10, RED, RED/CP11, RED/CP13, RED/CP15, RED/BLU, GRN/CP18, GRN/CP19

CP30: YEL, YEL/CP9, RED, RED/CP11, RED/CP13, RED/CP15, RED/BLU, GRN/CP18, GRN/CP19

DOMESTIC TRANSFORMER WIRING DIAGRAM.

CP6: BLK, WHI

CP7: WHI

CP9: YEL

CP10: YEL

CP11: RED

CP13: RED/YEL

CP15: RED

CP17: RED/BLU

CP18: GRN

CP19: GRN

DETAIL 1 "FUSE ROW"

CP16: XF5

CP8: XF2

CP12: XF3

CP14: XF4

CP10: —

CP18: —

CP20: XF6

CP19: —

CP17: —

CP9: —

CP11: —

CP15: —

CP13: —

CP18: —

CP19: —

CP20: —

CP16: —

CP17: —

CP9: —

CP11: —

CP15: —

CP13: —

CP18: —

CP19: —

CP20: —

NOTES:

- TP7 IS ON V4, PIN 3.
- TP8 IS AT THE GREEN LEAD OF THE OUTPUT TRANSFORMER.
- OPTIONAL C25 220µF 25V. PRESENT IN OLD MODEL SF6, DELETED IN SF6-A. CAPACITOR ADDS ABOUT 4 DB OF GAIN AT 1 KHZ.
- PCB SHOWN IN ONE PIECE, AS FABRICATED.

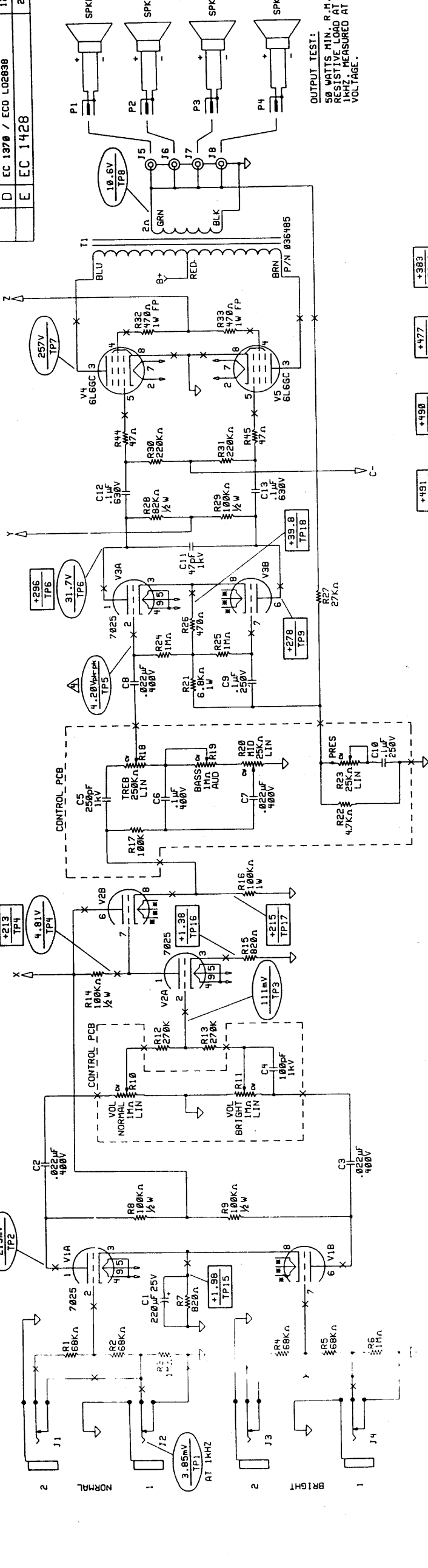
FILM/DWG: SERVICE DIAGRAM

DATABASE: 59BMSER.DBF DATE: 1/29/90

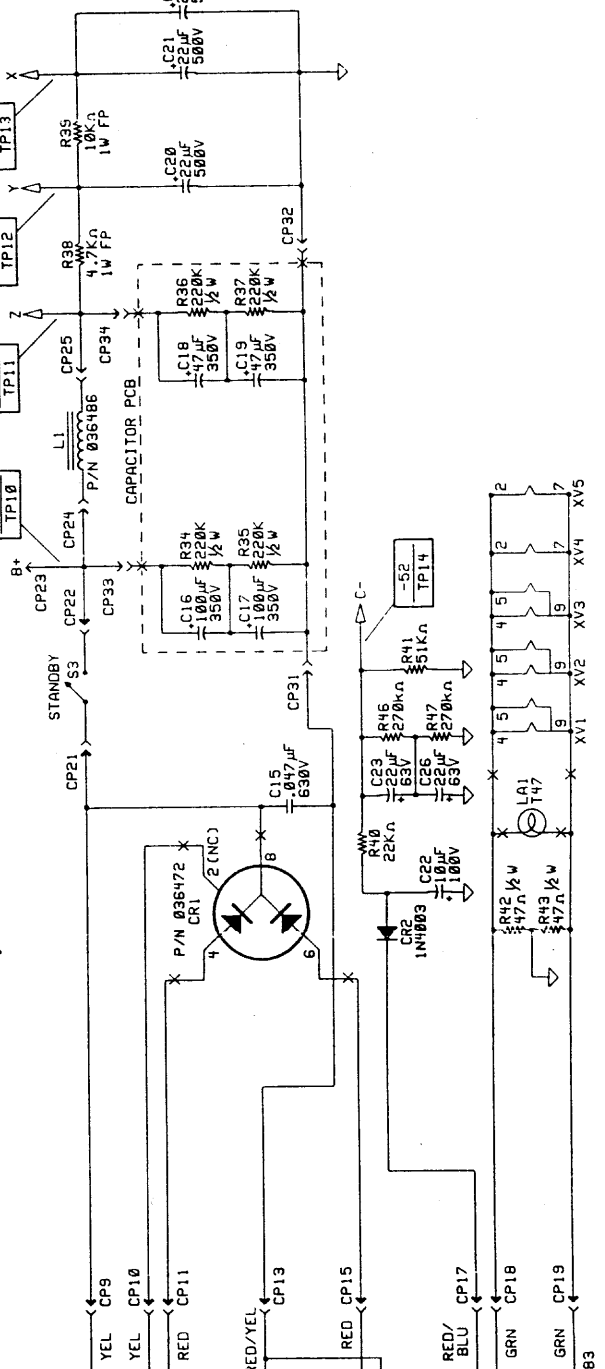
LAYERS PLOTTED: 1 2 3 4 10 11

15 19

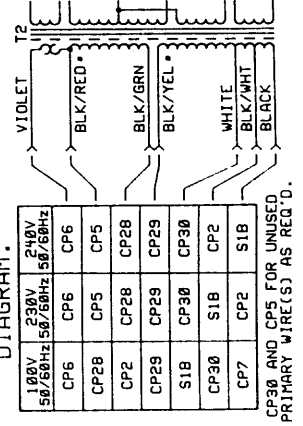
REVISIONS			
ZONE	REV. DESCRIPTION	DATE	APPROVED
	A RELEASED PR #143	2/16/90	
	B ECO L02080	8/20/90	
	C EC 784	9/11/91	
	D EC 1370 / ECO L02898	12/27/94	
	E EC 1428	2/27/95	MMW



OUTPUT TEST:
 50 WATTS MIN. R.M.S. INTO 2Ω
 RESISTIVE LOAD AT 5% T.H.D.;
 1KHZ. MEASURED AT RATED LINE
 VOLTAGE.



EXPORT TRANSFORMER
 PRIMARY WIRING
 DIAGRAM.



- NOTES:
- ALL RESISTORS 1/4 WATT CARBON
 - FILM UNLESS OTHERWISE NOTED.
 - LINE FUSE IS 30 IN 100V AND 120V MODELS F1 6A IN 200V AND 240V MODELS.
 - ALL VOLTAGES MEASURED TO GROUND USING A 10V OR 100V LEADS-COILS INPUT IMPEDANCE MEASURED FULL CW DC VOLTAGES MEASURED WITH NO SIGNAL PRESENT. VOLTAGES MAY VARY +/- 20%. VOLTAGES MEASURED AFTER 5 MINUTE WARMUP.
 - MEASURED WITH AN OSCILLOSCOPE USING A X10 PROBE.
 - X - WIRE CONNECTION.
 - SIX-DIGIT NUMBERS ARE FENDER PART NUMBERS.
 - INSTANCES NOT USED: C14 CP3 CP4 CP8 CP12 CP14 CP16 CP20 CP26 CP27

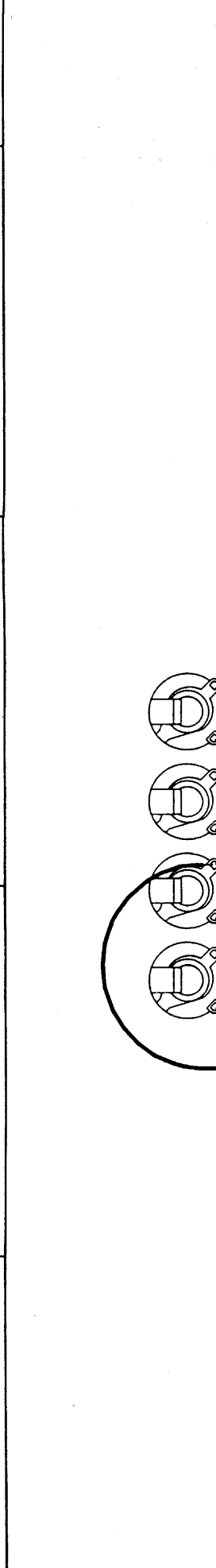
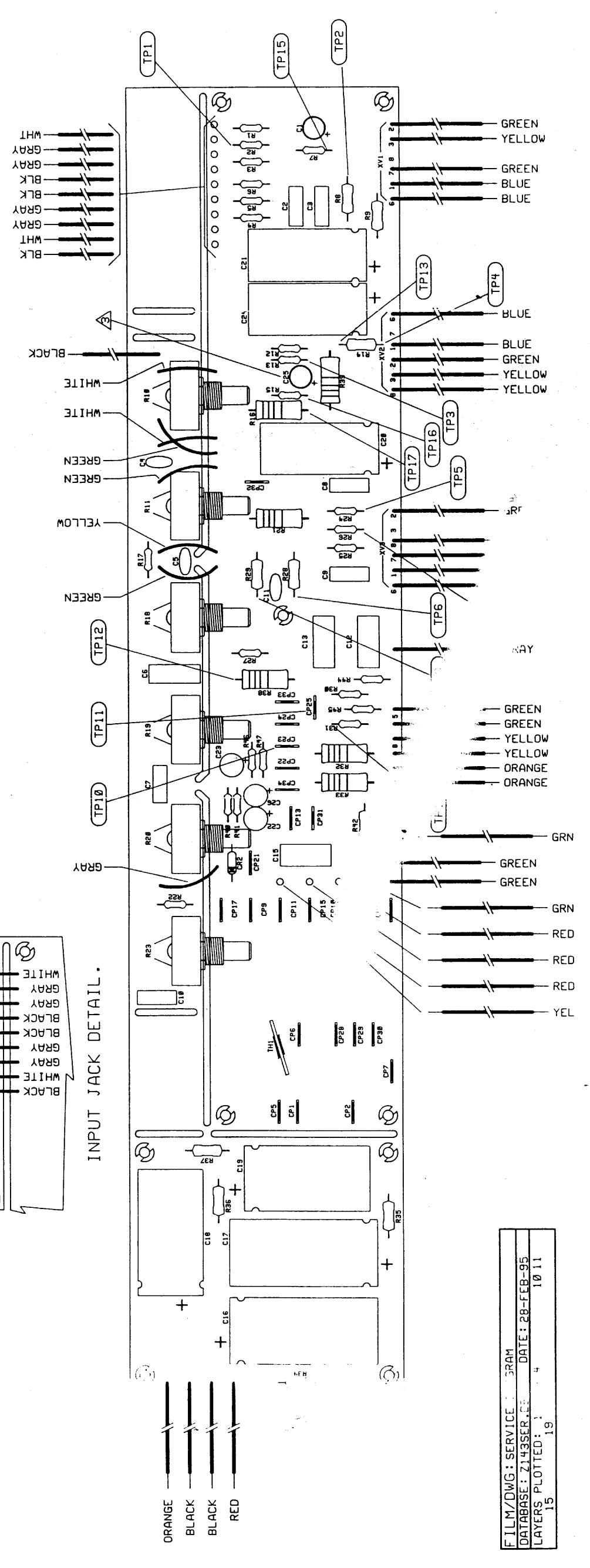
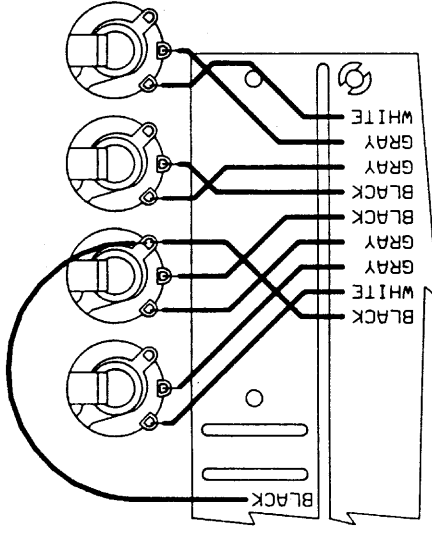
PROPRIETARY
 INFORMATION WHICH IS THE PROPERTY OF
 FENDER MUSICAL INSTRUMENTS CO.
 WITHOUT THE EXPRESSED WRITTEN
 PERMISSION OF FENDER MUSICAL INSTRUMENTS CO.
 2621 Reserch Dr. Ivc
 Corona, CA 91728 USA

CHECKED BY: [Signature]
 DATE: 3/3/95
 APPROVED: [Signature]
 DATE: 3/3/95

TOLERANCES: ±0.1%
 ±0.5%
 ±1%
 ±5%
 ±10%
 ±20%
 ±50%
 ±100%

MUSICAL INSTRUMENTS
 TITLE: SCHEMATIC
 SIZE DRAWN: WILKENS
 DRAWING NUMBER: 036356
 REV.: E
 ENGR: WILKENS
 '95 BASSMAN
 SCALE: NONE PLOTTED: 28-FEB-95 SHEET 1 OF 1

REVISIONS			
ZONE	REV. DESCRIPTION	DATE	APPROVED
	A RELEASED PR#143	2/16/90	
	B ECO LO 2080	8/20/90	
	C EC 784	9/11/91	
5	D EC 1370 / ECO L02838	12/27/94	
	E EC 1428	2/27/95	<i>MDW</i>



PROPRIETARY
 THIS DRAWING DOCUMENT CONTAINS INFORMATION WHICH IS PROPRIETARY TO AND IS THE PROPERTY OF THE FENDER MUSICAL INSTRUMENTS CO. AND SHALL BE KEPT IN CONFIDENTIALITY AND NOT REPRODUCED, COPIED, OR DISCLOSED IN ANY MANNER WITHOUT THE EXPRESSED WRITTEN CONSENT FROM:
 FENDER MUSICAL INSTRUMENTS CO.
 2621 Research Drive
 Corona, CA 91720 USA
 TUBE PARTIAL: STILL NO CURE.

DATABASE FILE: Z143SER.DBF
CHECKED BY: MDW
DATE: 3/3/95
APPROVED: MDW
DATE: 3/3/95

TOLERANCES: UNLESS OTHERWISE NOTED
 X.X ±0.050"
 X.XX ±0.010"
 X.XXX ±0.005"
 ANGLES ±0.500°

MUSICAL INSTRUMENTS
 2621 Research Drive
 Corona, CA 91720 USA

TITLE: '59 BASSMAN
 SERVICE DIAGRAM

SIZE: DRAWN: WILKENS
 DRAWING NUMBER: 036360
 ENGR: WILKENS
 REV. E

SCALE: NONE
CREATED: 07-NOV-89
PLOTTED: 28-FEB-95
SHEET: 1 OF 1

FILM/DWG: SERVICE	GRAM
DATABASE: Z143SER.DBF	DATE: 28-FEB-95
LAYERS PLOTTED: 1	10 11

- NOTES:**
- 1). TP7 IS ON V4, PIN 3.
 - 2). TP8 IS AT THE GREEN LEAD OF THE OUTPUT TRANSFORMER.
 - 3). OPTIONAL C25, 220µF, 25V. PRESENT IN OLD MODEL 5F6, DELETED IN 5F6-A. CAPACITOR ADDS ABOUT 4 DB OF GAIN.
 - 4). PCB SHOWN IN ONE PIECE, AS FABRICATED. REV. D REFLECTS THE REMOVAL OF SECONDARY FUSES IN EXPORT UNITS THAT USE POWER TRANSFORMER P/N 049179, AND REMOVAL OF THE LINE BYPASS CAPACITOR IN DOMESTIC UNITS.