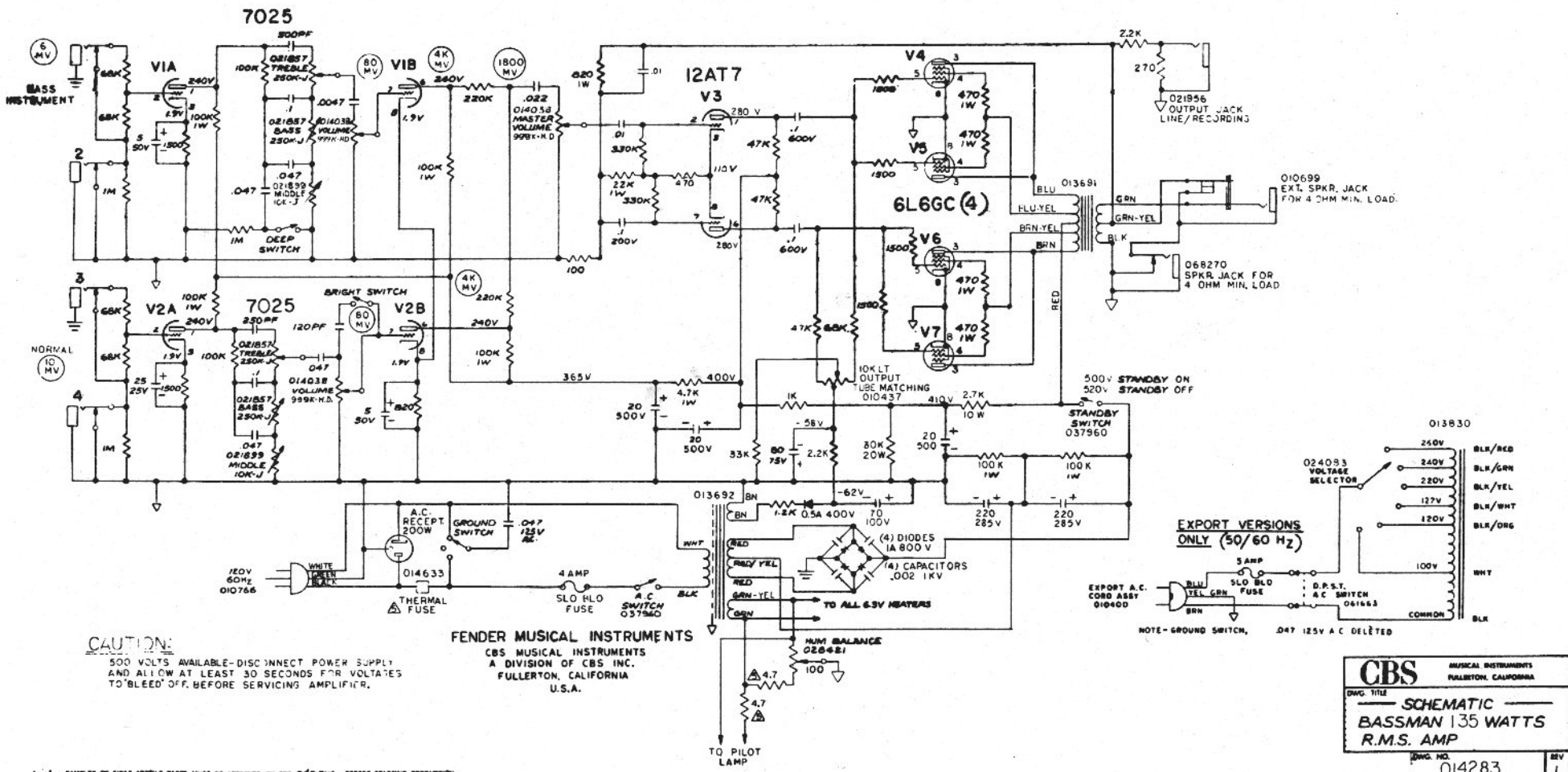


BASSMAN 135

THIS PRODUCT MANUFACTURED UNDER ONE OR MORE OF THE FOLLOWING U.S. PATENTS: #281776, #2973601, #192653 AND PATENTS PENDING.

NOTES:

1. VOLTAGES READ TO GROUND WITH V.T.V.M.
 2. ALL RESISTORS 1/2 WATT 10% TOLERANCE IF NOT SPECIFIED.
 3. ALL CAPACITORS ARE AT LEAST 600V RATING IF NOT SPECIFIED.
- (M) ARE AC VOLTAGES, FOR TEST ASSISTANCE. DENOTES TYPICAL 100Hz SIGNAL REQUIRED TO PRODUCE 10 WATTS OUTPUT WITH ALL CONTROLS SET TO MAXIMUM.
- (A) USES IN SOME VERSIONS.



1. 2 SAMPLES OF FIRST ARTICLE PARTS MUST BE APPROVED BY CBS R/D DIV. BEFORE STARTING PRODUCTION.

NOTES UNLESS OTHERWISE SPECIFIED