

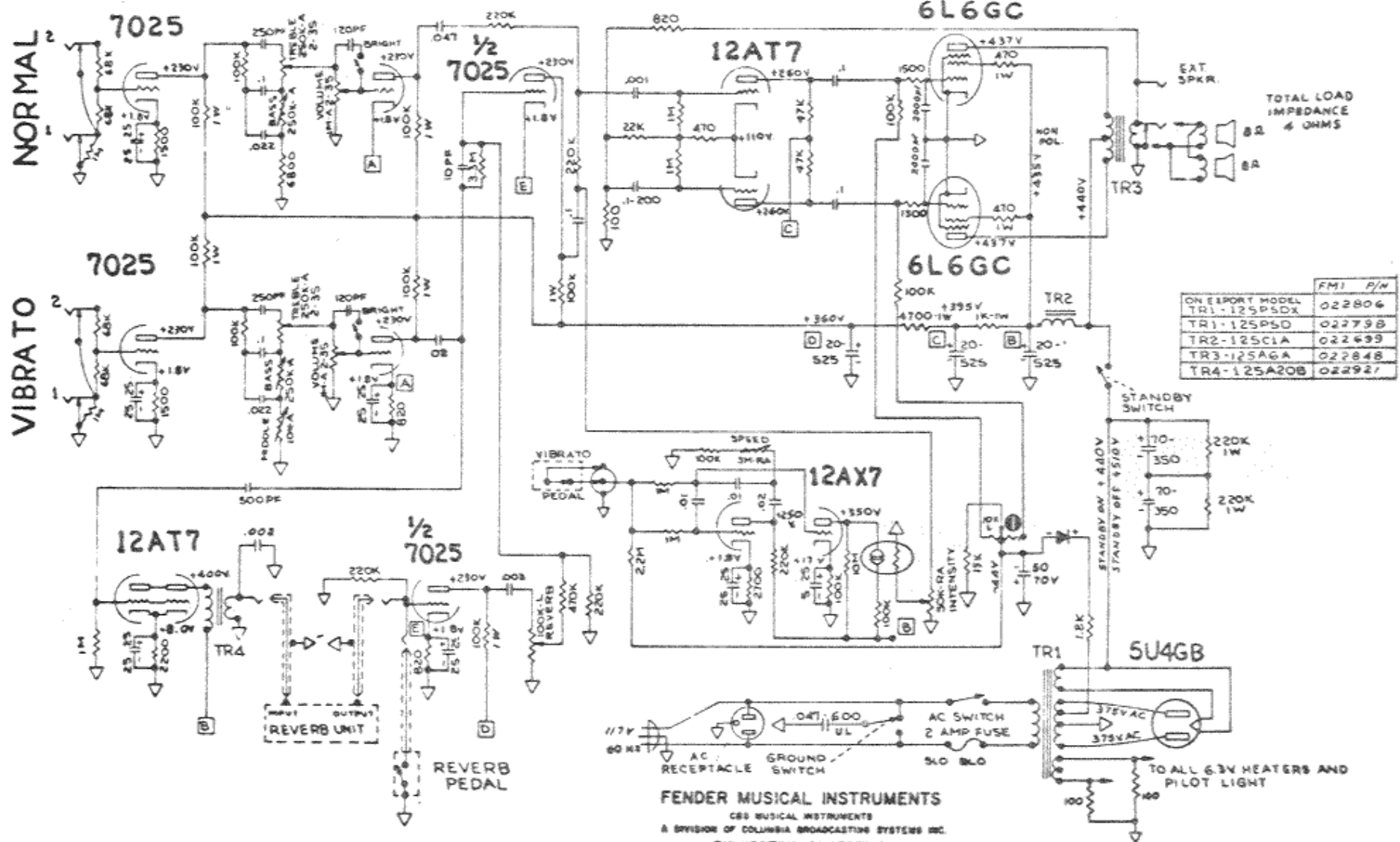
FENDER "BANDMASTER REVERB-AMP AAI069" SCHEMATIC

TFL5005D

NOTICE

THIS PRODUCT MANUFACTURED UNDER ONE OR MORE OF THE FOLLOWING U.S. PATENTS:
 CIRCUIT PATENT #2817708, #2973681
 DESIGN PATENT #192859
 PATENTS PENDING

- 1 - VOLTAGES READ TO GROUND WITH ELECTRONIC VOLUME (E.V.)
- 2 - ALL RESISTORS 1/2 WATT 10% TOLERANCE IF NOT SPECIFIED.
- 3 - ALL CAPACITORS AT LEAST 500 VOLT RATING IF NOT SPECIFIED.
- 4 - ALL VOLTAGES READ WITH VIBRATO PEDAL GROUNDING AND NO INPUT SIGNAL.

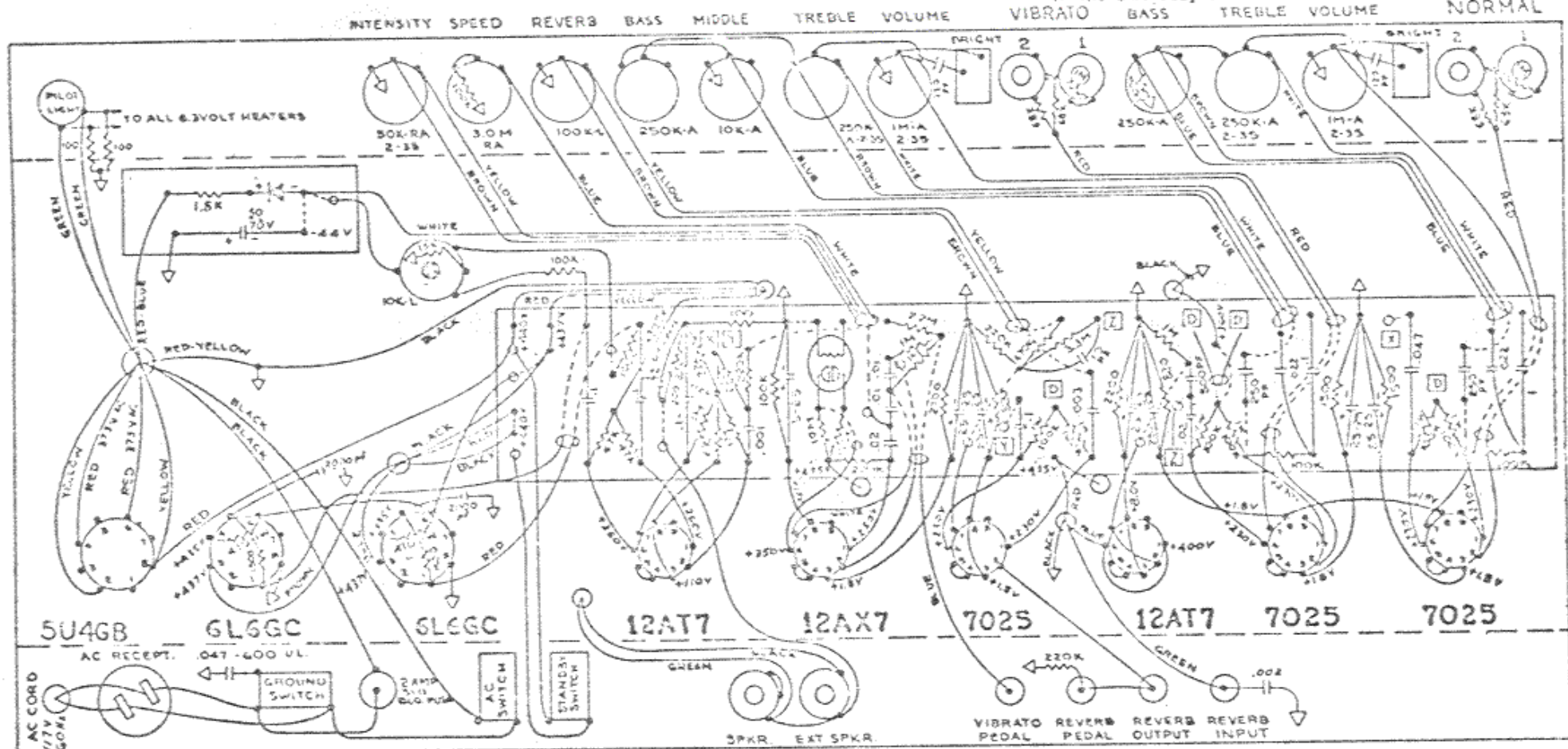


ON ELPOR MODEL	FMI P/N
TR1-125P5DX	022806
TR1-125P5D	022798
TR2-125C1A	022699
TR3-125A6A	022848
TR4-125A20B	022921

FENDER MUSICAL INSTRUMENTS
 CBS MUSICAL INSTRUMENTS
 A DIVISION OF COLUMBIA BROADCASTING SYSTEMS INC.
 FULLERTON, CALIFORNIA
 U.S.A.

FENDER MODEL BANDMASTER REVERB-AMP AA1069 "LAYOUT" TFL5005D

NOTICE
 VOLTAGES READ TO GROUND WITH ELECTRONIC
 VOLTMETER WITH VIBRATO-GROUNDED,
 NO INPUT SIGNAL.



NOTE: ALL RESISTORS 1/2 WATT 10% TOLERANCE, IF NOT SPECIFIED.

NOTE: ALL CAPACITORS AT LEAST 600 VOLT RATING IF NOT SPECIFIED.

FENDER MUSICAL INSTRUMENTS
 CBS MUSICAL INSTRUMENTS
 A DIVISION OF COLUMBIA BROADCASTING SYSTEMS INC.
 FULLERTON, CALIFORNIA
 U.S.A.

DATE 10-16-69
 APPROVED [Signature]

DWG. TITLE
SCHEMATIC & WIRING DIAGRAM
 BANDMASTER REVERB-AMP
 TUBE TYPE TFL5005D

REV	SIZE	DWG. NO.	REV
B	D	109223	B
A			

SCALE NONE MODEL TYPE TFL5005D SHEET 2 OF 2

AMPLIFIER TT