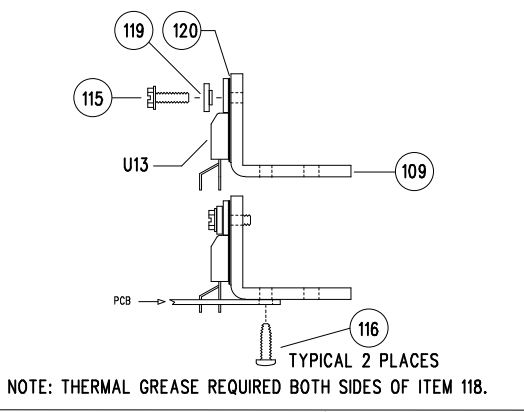
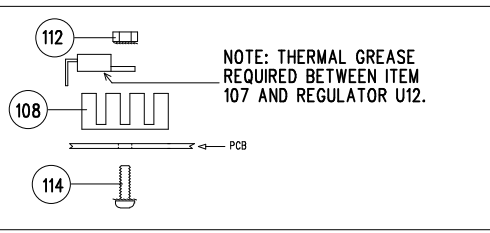
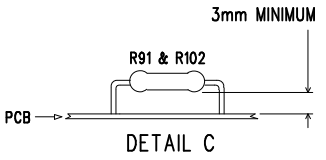
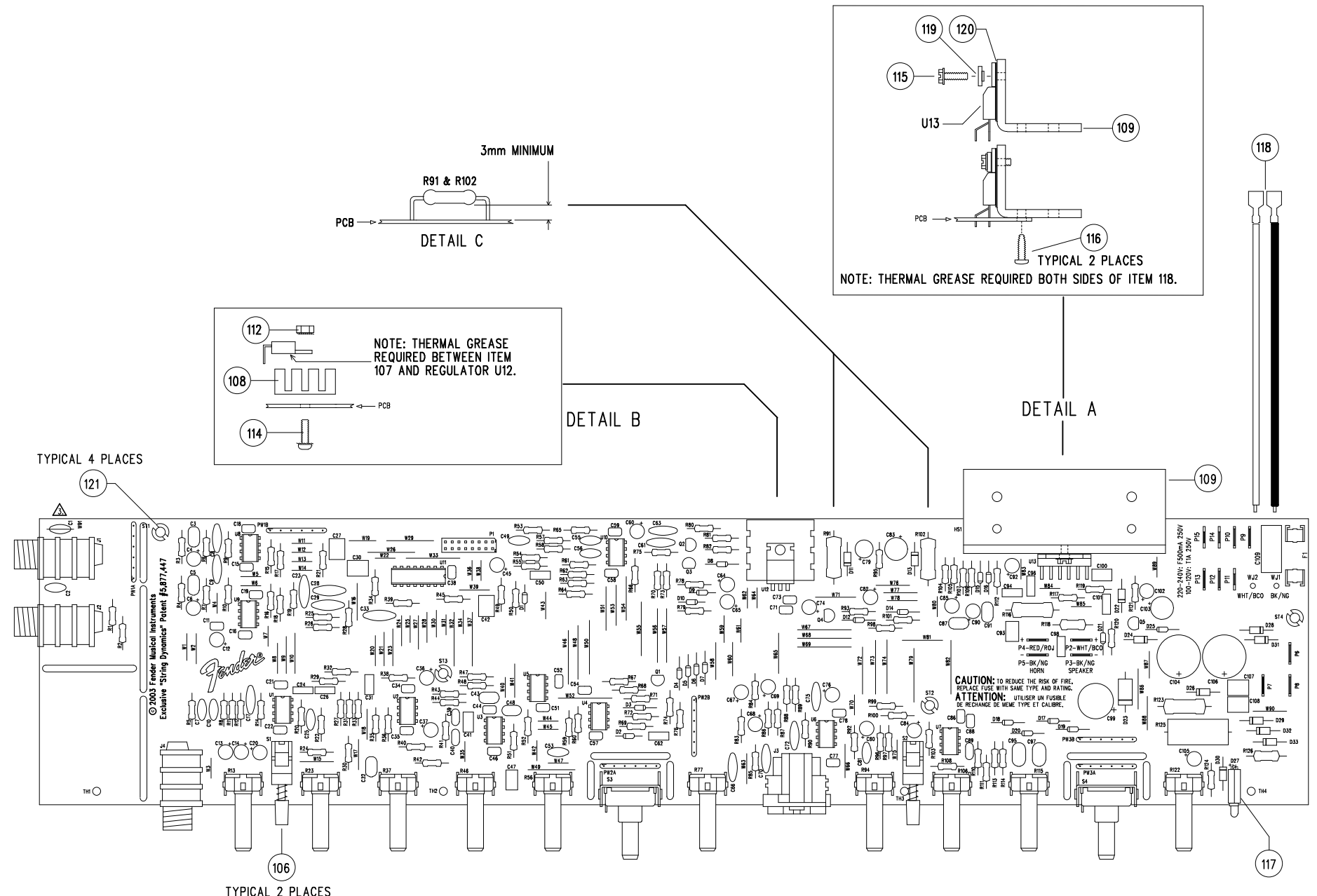


8 7 6 5 4 3 2 1

REVISIONS			
REV.	DESCRIPTION	DATE	APPROVED
A	PR568	14-NOV-03	RbH
B	EC2995	2-DEC-03	RbH

D
C
B
A

D
C
B
A



CAUTION: TO REDUCE THE RISK OF FIRE, REPLACE FUSE WITH SAME TYPE AND RATING.
ATTENTION: UTILISER UN FUSIBLE DE MÊME TYPE ET CALIBRE.

FILM/DWG: PCB ASSEMBLY DRAWING
DATABASE: Z568P.PCB DATE: 2-DEC-03

- NOTES:
- 1. SEE A-SIZE SHEETS 2 THROUGH 4 FOR BOM.
 - 2. ADHERE THE FOLLOWING COMPONENTS WITH RTV SILICONE: C104, C106.
 - 3. C1 IS USED FOR EXPORT PCB ASSY P/N 0063792000. W91 IS USED FOR 120VAC PCB ASSY P/N 0063824000.

2	0063824000	PCB ASSY ACST 30 DSP 120V
1	0063792000	PCB ASSY ACST 30 DSP EXPORT
ITEM	PART NUMBER	DESCRIPTION
THIS DOCUMENT CONTAINS INFORMATION OF A PROPRIETARY NATURE TO FENDER MUSICAL INSTRUMENTS AND IS SUBMITTED TO YOU IN CONFIDENCE AND SHALL NOT BE DISCLOSED OR TRANSMITTED TO OTHERS WITHOUT AUTHORIZATION FROM FENDER MUSICAL INSTRUMENTS.		
MUSICAL INSTRUMENTS Corona, CA U.S.A.		TITLE: PCB ASSEMBLY, MASTER DWG ACOUSTASONIC 30 DSP AMPLIFIER
CHECKED BY:	DATE:	SIZE: D
APPROVED BY:	DATE:	DRAWING NUMBER: 0063792000
DRAWN: R. Hartman	ENGR: R. Hartman	REV. B
DATABASE FILE: Z568P.PCB	RELEASE DATE: 14-NOV-03	SHEET 1 OF 5

8 7 6 5 4 3 2 1

8

7

6

5

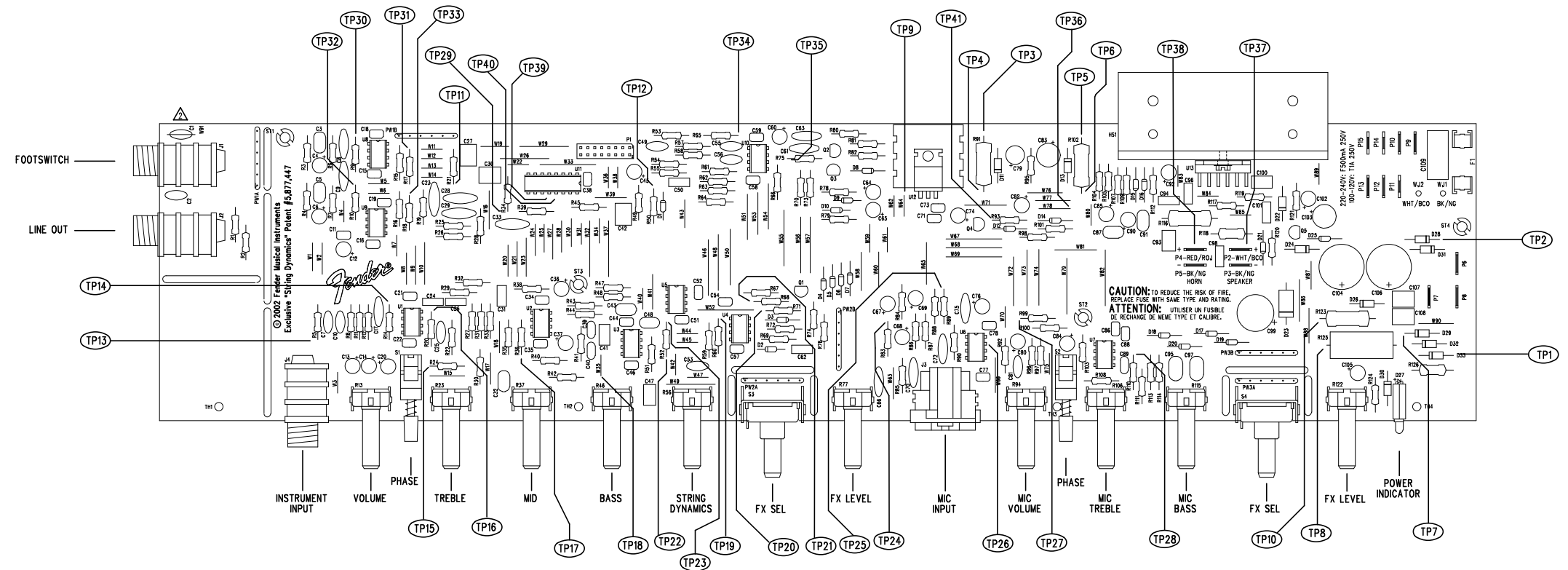
4

3

2

1

REVISIONS			
REV.	DESCRIPTION	DATE	APPROVED
A	PR568	14-NOV-03	RbH
B	EC2995	2-DEC-03	RbH




CAUTION: TO REDUCE THE RISK OF FIRE,
 REPLACE FUSE WITH SAME TYPE AND RATING.
 ATTENTION: UTILISER UN FUSIBLE
 DE MÊME TYPE ET CALIBRE.

FILM/DWG: SERVICE DIAGRAM
 DATABASE: Z568P.PCB DATE: 2-DEC-03

△ CI IS USED FOR EXPORT ASSY P/N 0063792000.
 W91 IS USED FOR 120VAC PCB ASSY P/N 0063824000.
 1. SEE SHEET 1 FOR PRIMARY WIRING, SWITCH DETAIL,
 TEST CONDITIONS, TEST POINT VALUES AND
 CHORUS BIASING PROCEDURE.

NOTES: (UNLESS OTHERWISE NOTED)

THIS DOCUMENT CONTAINS INFORMATION OF A PROPRIETARY NATURE. TO FENDER MUSICAL INSTRUMENTS AND IS SUBMITTED TO YOU IN CONFIDENCE AND SHALL NOT BE DISCLOSED OR TRANSMITTED TO OTHERS WITHOUT AUTHORIZATION FROM FENDER MUSICAL INSTRUMENTS.		 MUSICAL INSTRUMENTS Corona, CA U.S.A.	
CHECKED BY: _____	DATE: _____	TITLE: SERVICE DIAGRAM, COMBINED (PCB assy) ACOUSTASONIC 30 DSP AMPLIFIER	
APPROVED BY: _____	DATE: _____	SIZE: D	DRAWING NUMBER: 0063793000
DRAWN: R. Hartman	ENGR: R. Hartman	REV.: B	RELEASE DATE: 14-NOV-03 SHEET 2 OF 2
DATABASE FILE: Z568P.PCB			

D

C

B

A

D

C

B

A

8

7

6

5

4

3

2

1