



THE REAL SOUND

# SERVICE MANUAL for Eltax Atomic A15.2

Type: 10068

Eltax A/S.  
Drejervej 2  
DK 7490 Aulum  
Denmark  
Tel.: +45 9641 1500  
Fax sales.: +45 9641 1501  
www.eltax.com @: info@eltax.com

Sparepart:

World Wide  
Eltax Service DK  
Tel.: +45 9641 1599  
Fax.: +45 9641 1598  
@: Service@eltax.com

United Kingdom  
Eltax UK  
Tel.: +44(0)1327860789  
Fax.: +44(0)1327861058  
@: uk@eltax.com

Deutschland  
Eltax Deutschland  
Tel.: +49(0)461 28080  
Fax.: +49(0)461 29966  
@: deutschland@eltax.com

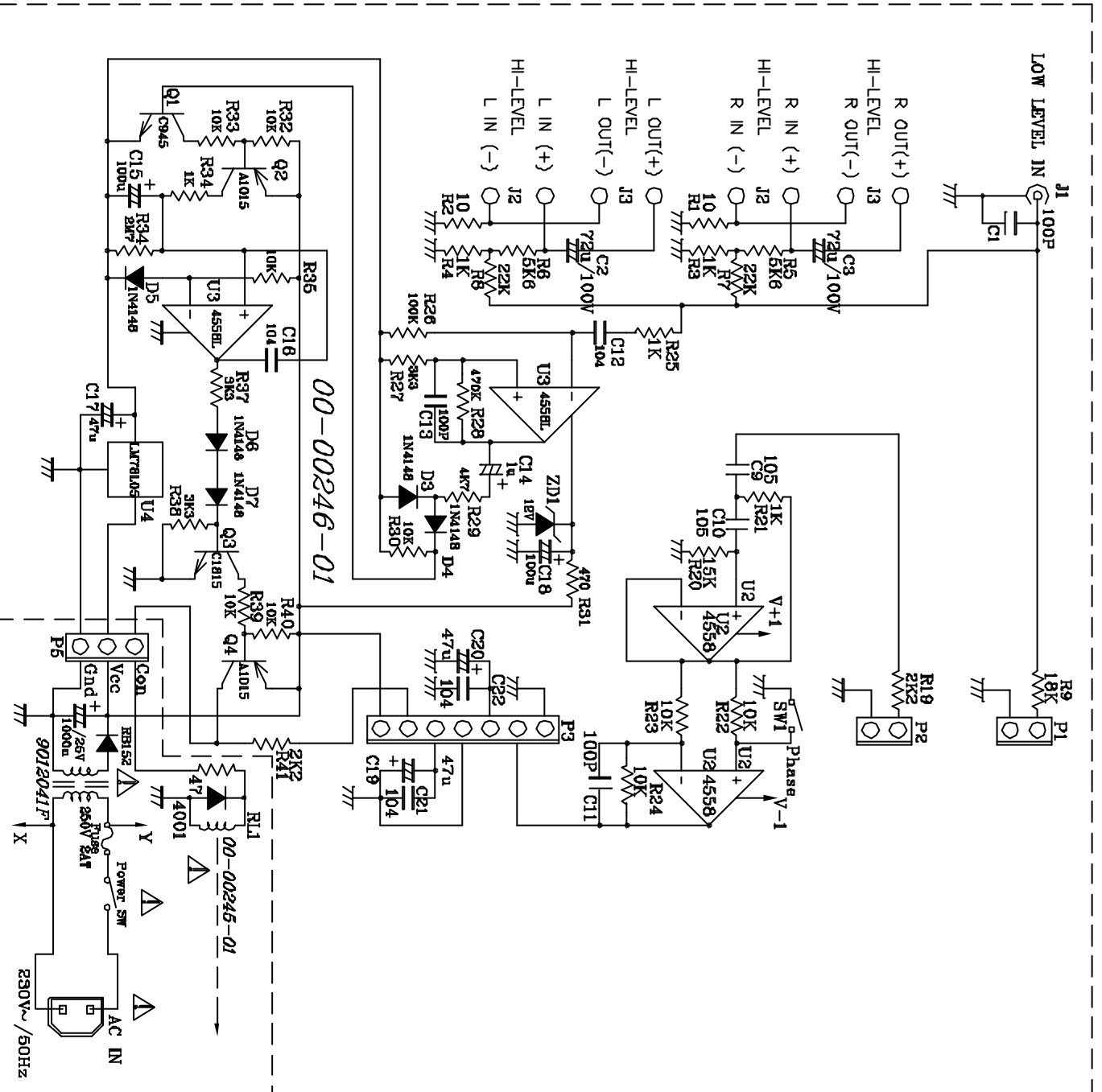
France  
Eltax France  
Tel.: +33(0)466 680626  
Fax.: +33(0)466 680636  
@: france@eltax.com

Netherlands  
Eltax Benelux  
Tel.: +32(0)2 354 53 63  
Fax.: +32(0)2 351 03 96  
@: benelux@eltax.com

Belgium  
Eltax Benelux  
Tel.: +32(0)2 354 53 63  
Fax.: +32(0)2 351 03 96  
@: benelux@eltax.com

Luxembourg  
Eltax Benelux  
Tel.: +32(0)2 354 53 63  
Fax.: +32(0)2 351 03 96  
@: benelux@eltax.com

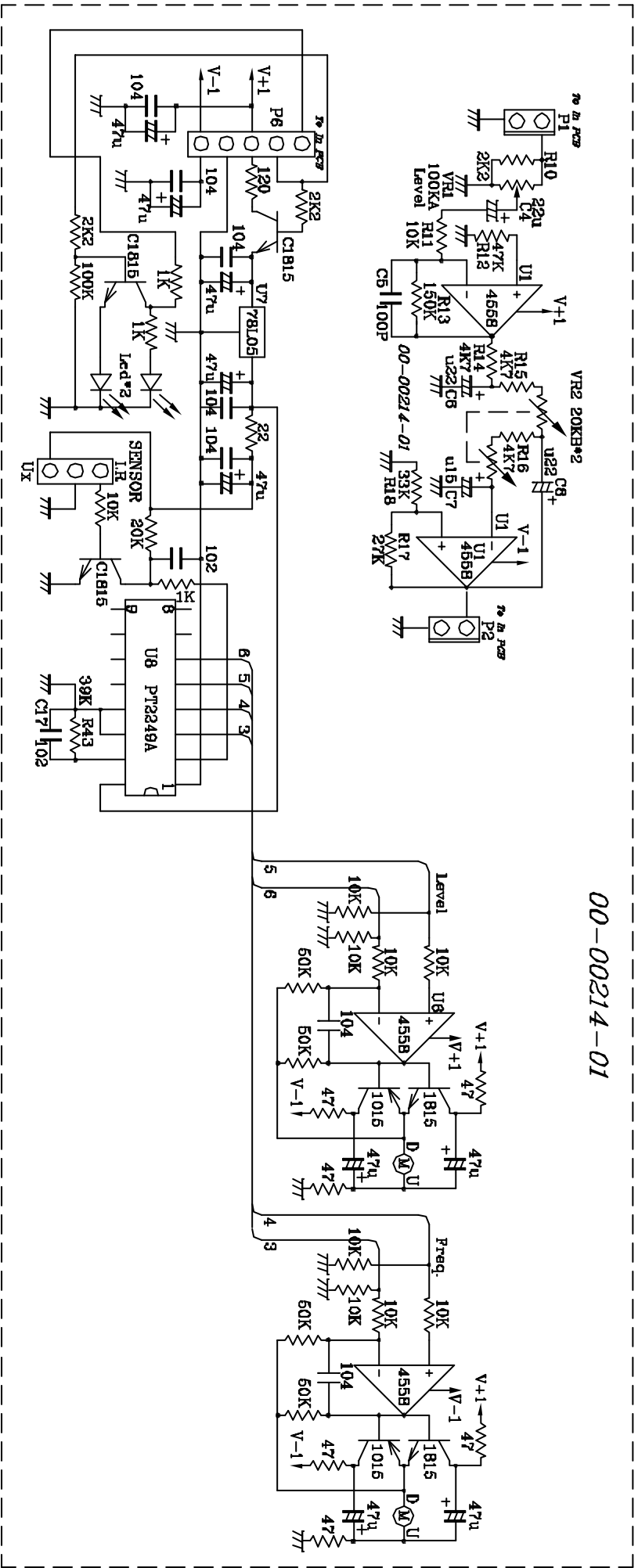
Italy  
Eltax Italy  
Tel.: +39 011 6603780  
Fax.: +39 011 6603780  
@: italy@eltax.com



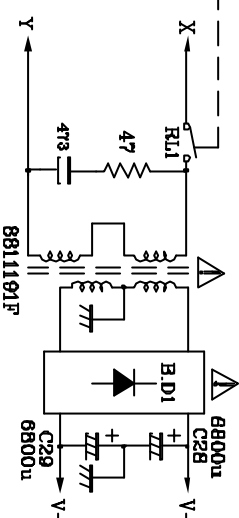
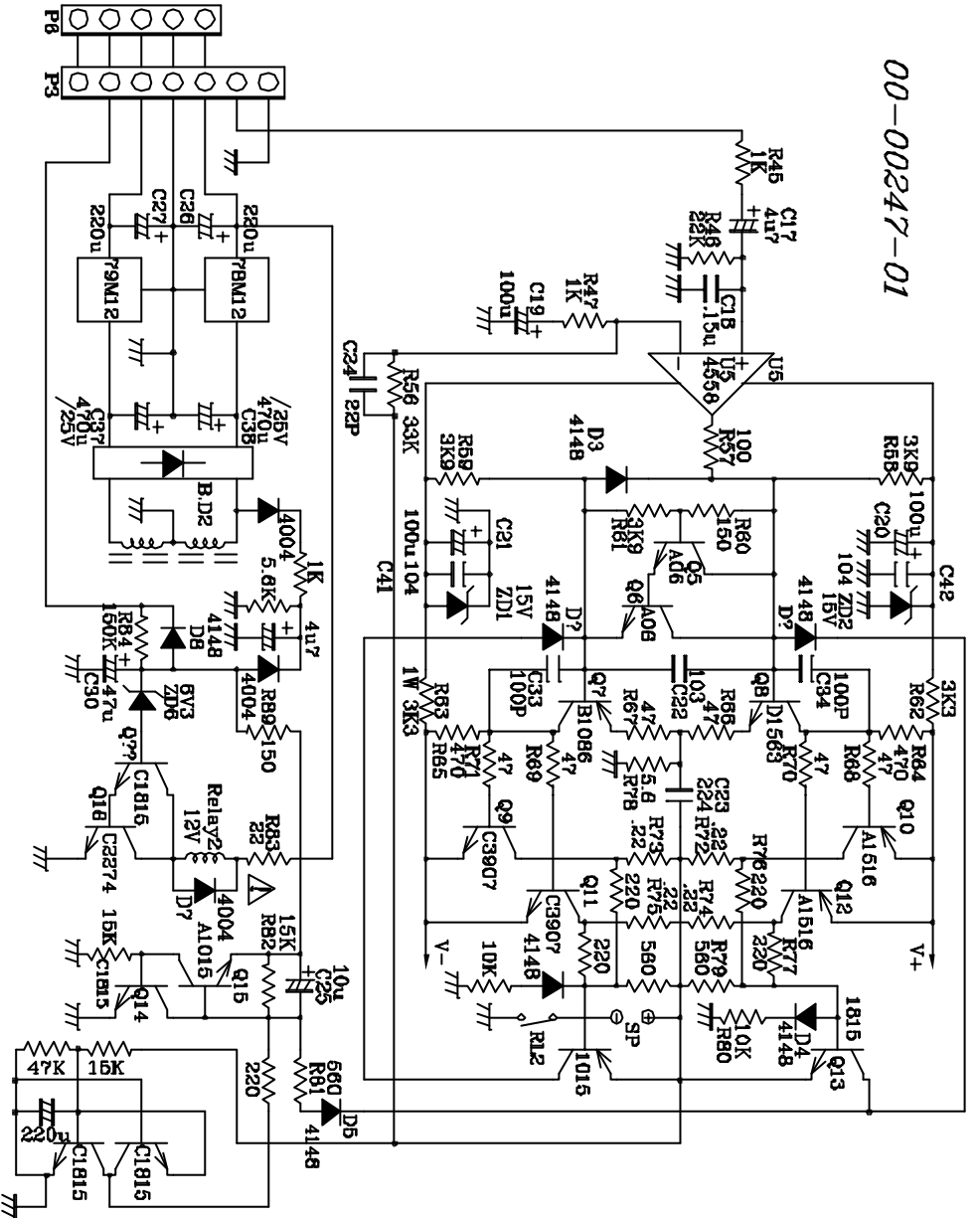
Schematic Diagram *Eltax Atomic A15.2R*

02-08-02

00-00214-01



00-00247-01



**PRODUCT SAFETY NOTICE**  
 ALL SAFETY PRECAUTIONS IN THIS MANUAL SHOULD BE FOLLOWED DURING SERVICING. COMPONENTS IDENTIFIED WITH THE IEC SYMBOL IN THE PARTS LIST AND THE SCHEMATIC DIAGRAM DESIGNATE COMPONENTS IN WHICH SAFETY CAN BE OF SPECIAL SIGNIFICANCE WHEN REPLACING A COMPONENT IDENTIFIED WITH THIS SYMBOL. USE ONLY THE REPLACEMENT PARTS DESIGNATED, OR PARTS WITH THE SAME RATING OF RESISTANCE, WATTAGE OR VOLTAGE THAT ARE DESIGNATED IN THE PARTS LIST IN THIS MANUAL.

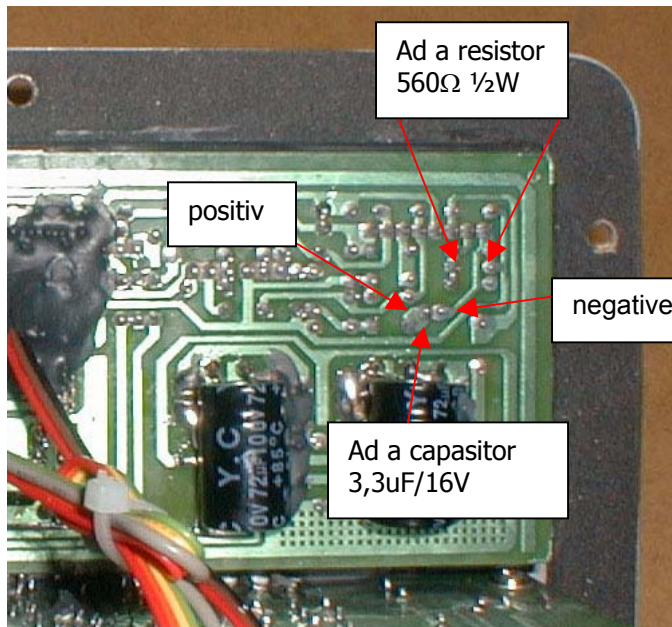
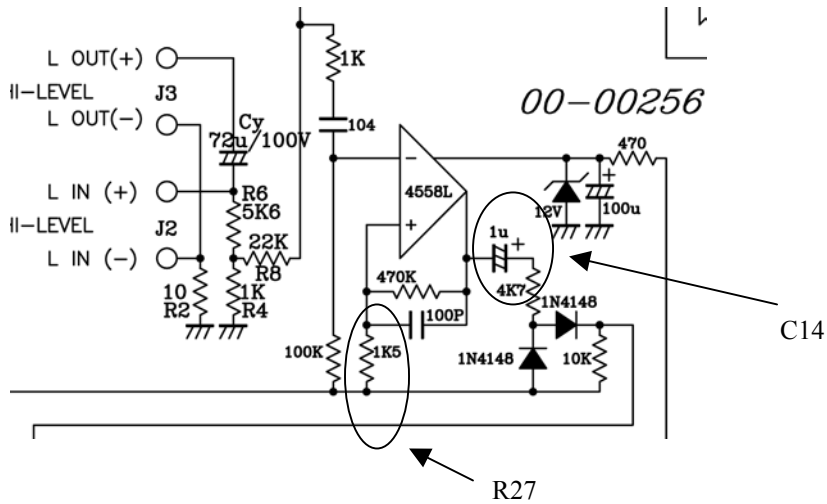
## Increase of On/St. by circuit sensitivity. Serial 01, 02

Attention!!

This update may only be performed by skilled service personnel.

Add parallel over resistor R27 , a resistor 560Ω/½W. Total value 470Ω

Add parallel over capacitor C14 , a capacitor 3,3uF/16V Total value 4,7uF/16V



# Sparepart List.

---

Item no.	Type
03937	Amplifier A-15.2R, black
13602	Subwoofer 380mm Black/Black 4ohm
03939	Remote Frontpanel Atomic X.2, black
03941	Remote Control Atomic.2, black
06626	Mainscord UK-ClassII - IEC 320
06633	Mainscord EU-ClassII - IEC 320

When ordering spareparts please indicate the serial number of the equipment.