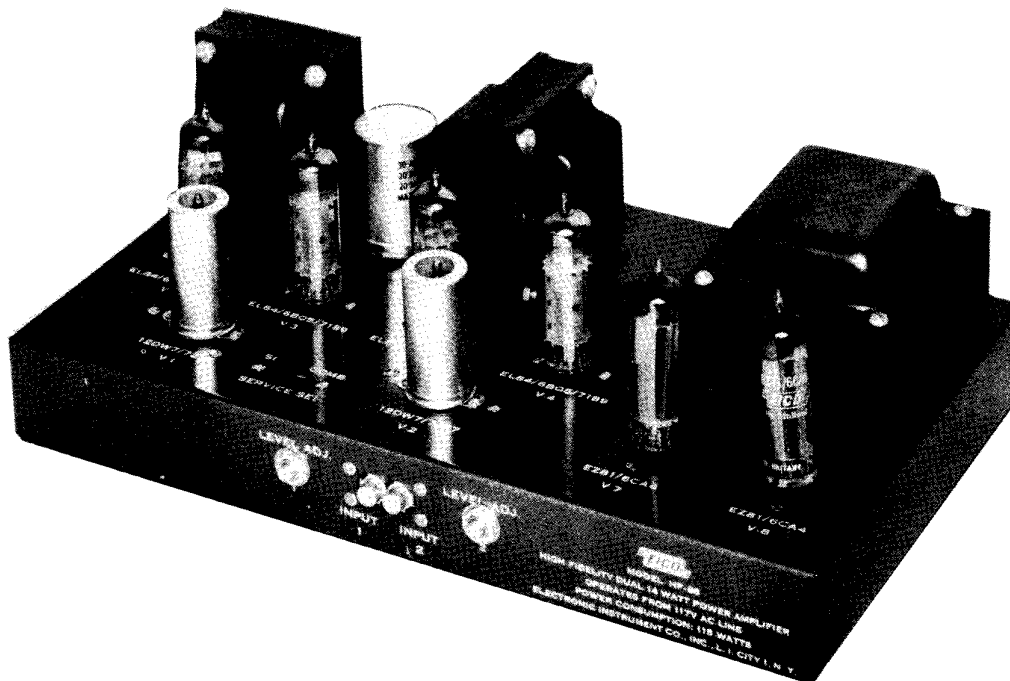




EICO MODEL
HF-86



EICO MODEL
HF-86

TRADE NAME	Eico Model HF-86		
MANUFACTURER	Electronic Instrument Co., Inc., 33-00 Northern Blvd., Long Island City 1, N. Y.		
TYPE SET	AC Operated 8 Tube Stereo Amplifier		
POWER SUPPLY	110 - 120 Volts AC, 60 Cycles	RATING	110 Watts, .95 Amp. @ 117 Volts AC

HOWARD W. SAMS & CO., INC. Indianapolis 6, Indiana



The listing of any available replacement part herein does not constitute in any case a recommendation, warranty or guaranty by Howard W. Sams & Co., Inc., as to the quality and suitability of such replacement part. The numbers of these parts have been compiled from information furnished to Howard W. Sams & Co., Inc., by the manufacturers of LV115

the particular type of replacement part listed. Reproduction or use, without express permission, of editorial or pictorial content, in any manner, is prohibited. No patent liability is assumed with respect to the use of the information contained herein. © 1962 Howard W. Sams & Co., Inc., Indianapolis 6, Indiana. Printed in U. S. of America

PARTS LIST AND DESCRIPTIONS WIRING DATA

General-use Unshielded Hook-up Wire Use BELDEN No. 8530 (Solid) Available in Ten Colors
 Power Cord Use BELDEN No. 8524 (Stranded) Available in Ten Colors
 Use BELDEN No. 1765-B (6 Ft. Length)
 Use BELDEN No. 1765-K (7½ Ft. Length)

GENERAL ELECTRIC		RAYTHEON		SYLVANIA	
ITEM No.	USE	TYPE	ITEM No.	USE	TYPE
V1	Channel 1 A.F. Amp. - Phase Inverter	7247 (12DW7)*	V5	Channel 2 Output Rectifier	EL84/6BQ5
V2	Channel 1 Output	EL84/6BQ5	V6	Channel 2 Output Rectifier	EL84/6BQ5
V3	Channel 1 Output	EL84/6BQ5	V7	Rectifier	EZ81/6CA4
V4	Channel 2 A.F. Amp. - Phase Inverter	7247 (12DW7)*	V8	Rectifier	EZ81/6CA4

* Alternate

ELECTROLYTIC CAPACITORS

ITEM No.	RATING CAP.	VOLT.	REPLACEMENT DATA		
			AEROVOX PART No.	CORNELL-DUBILLET PART No.	GENERAL ELECTRIC PART No.
C1A	.30	450	A7F3-37	C0280	XC3-26
B	.20	450	FRS1285	BER60-25	TC29
C	.420	450	FRS1285	BER60-25	TC29
C2	.50	25	23007		TD-50-25
C3	.50	25	23007		TD-50-25

FIXED CAPACITORS

ITEM No.	RATING	REMARKS	REPLACEMENT DATA			
			AEROVOX PART No.	CENTRALAB PART No.	CORNELL-DUBILLET PART No.	ELMENDO PART No.
C4	100 10%		DI-100	DD-101	LI0712	CCD-101
C5	125 10%		DI-120	DD-121	LI0712	CCD-121
C6	.025		DI-120	DD-121	DPMS6S25	4DP-2-253
C7	125 10%		DI-120	DD-121	DPMS6S25	4DP-2-253
C8	.025		DI-68	DD-680	LI0Q68	CCD-680
C9	68 10%		DI-100	DD-101	LI0712	CCD-101
C10	105 10%		DI-120	DD-121	LI0712	CCD-121
C11	.025		DI-120	DD-121	DPMS6S25	4DP-2-253
C12	.025		DI-120	DD-121	DPMS6S25	4DP-2-253
C13	125 10%		DI-68	DD-680	LI0Q68	CCD-680
C14	.025		DI-68	DD-680	LI0Q68	CCD-680
C15	68 10%		P688N-03	DD-303	CUB6S3	6DP-3-303
C16	.03 600V					

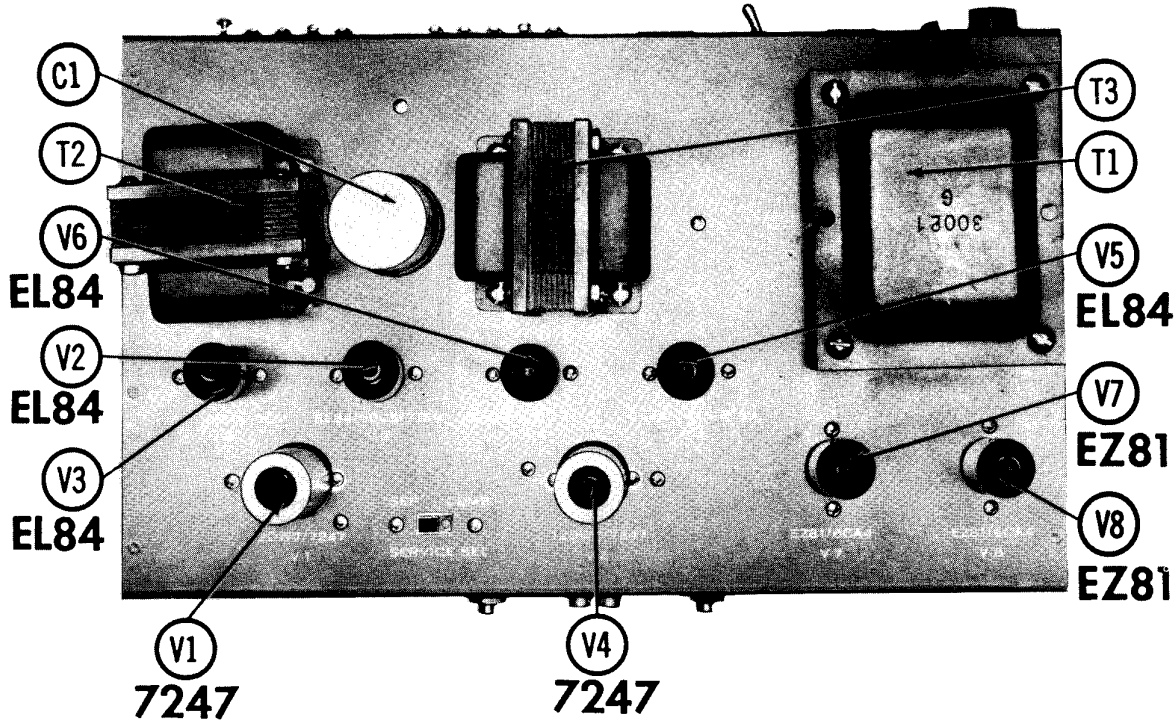
CONTROLS

All wattages 1/2 watt, or less, unless otherwise listed.

ITEM No.	USE	RESISTANCE	REPLACEMENT DATA		
			EICO PART No.	CENTRALAB PART No.	CLAROSTAT PART No.
R1	Level Adjust, Ch. 1	500K	18050	AB-60, AK-1 or (B-60)	A47-500K-Z FKS-1/4
R2	Level Adjust, Ch. 2	500K	18050	AB-60, AK-1 or (B-60)	A47-500K-Z FKS-1/4

* "SNAPTROL".

CHASSIS—TOP VIEW



PARTS LIST AND DESCRIPTIONS (Continued)

RESISTORS

All wattages 1/2 watt, or less, unless otherwise listed.

ITEM No.	REPLACEMENT DATA		ITEM No.	RATING	REPLACEMENT DATA	
	IRC PART No.	WORKMAN TV PART No.			IRC PART No.	WORKMAN TV PART No.
R2	10K		R16	330K		
R3	330K		R17	4700Ω		
R4	4700Ω		R18	1600Ω		
R5	1600Ω		R19	82K		
R6	82K		R20	82K		
R7	82K		R21	330K		
R8	330K		R22	10K		
R9	10K		R23	330K		
R10	10K		R24	10K		
R11	330K		R25	165Ω 5W	PW5-165	5W-SQ-165
R12	10K		R26	33K		
R13	165Ω 5W		R27	10K		
R14	33K		R28	350Ω 10W	PW10-350	10W-SQ-350
R15	10K					

TRANSFORMER (POWER)

ITEM No.	REPLACEMENT DATA				NOTES
	RATING		EICO PART No.	Stancor PART No.	
	PRI.	SEC.	Merit PART No.	Thordarson PART No.	
T1	117V @ .95A	560VCT @ 150A DC	30021		
	SEC. 3	6.3V @ 1.8A			
	SEC. 4				
	SEC. 5				

TRANSFORMER (AUDIO OUTPUT)

ITEM No.	REPLACEMENT DATA				NOTES
	IMPEDANCE		EICO PART No.	Stancor PART No.	
	PRI.	SEC.	Merit PART No.	Thordarson PART No.	
T2	7600Ω CT	32Ω Tap @ 16Ω, 8Ω, 4Ω	32013		
T3	7600Ω CT	32Ω Tap @ 16Ω, 8Ω, 4Ω	32013		

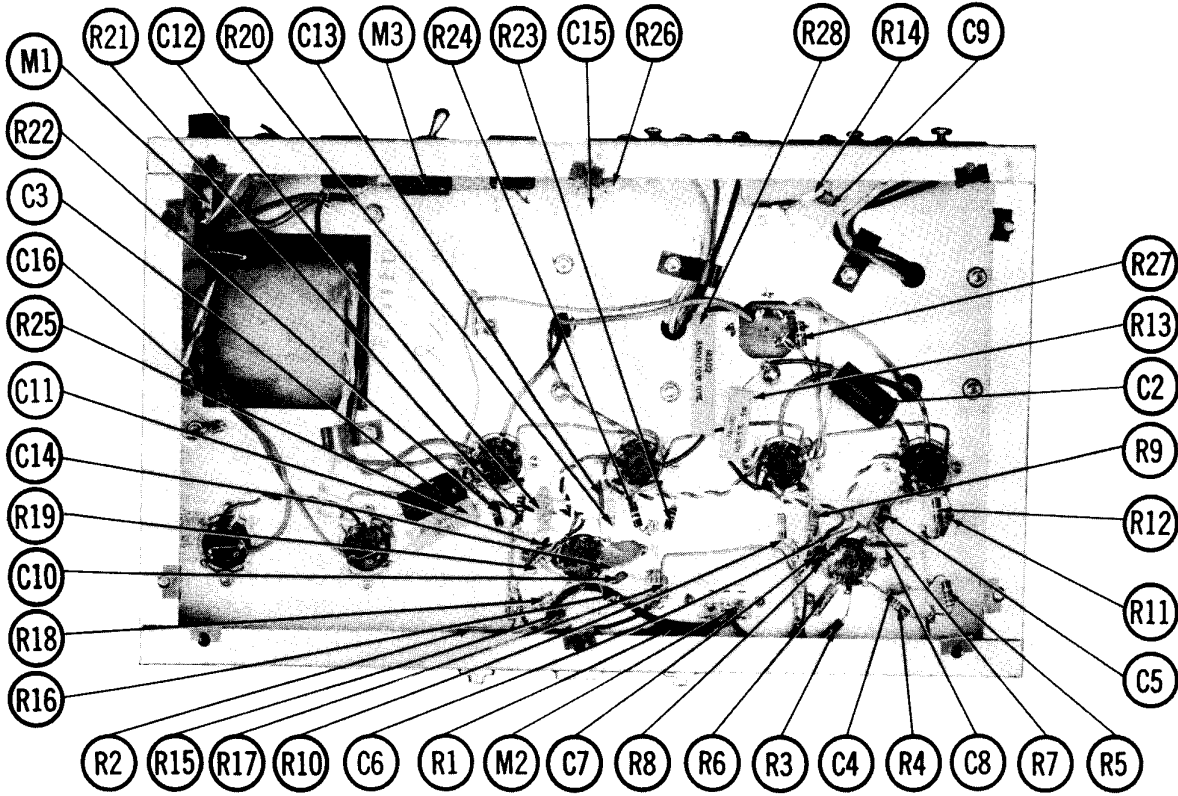
FUSES

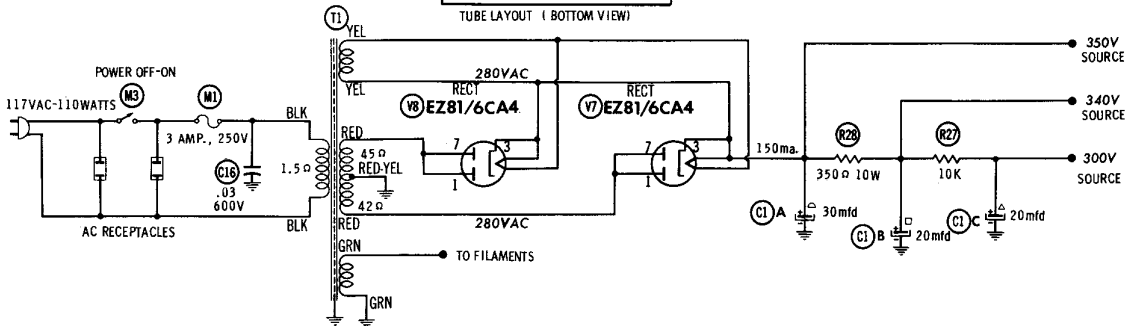
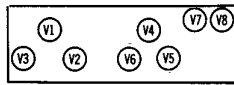
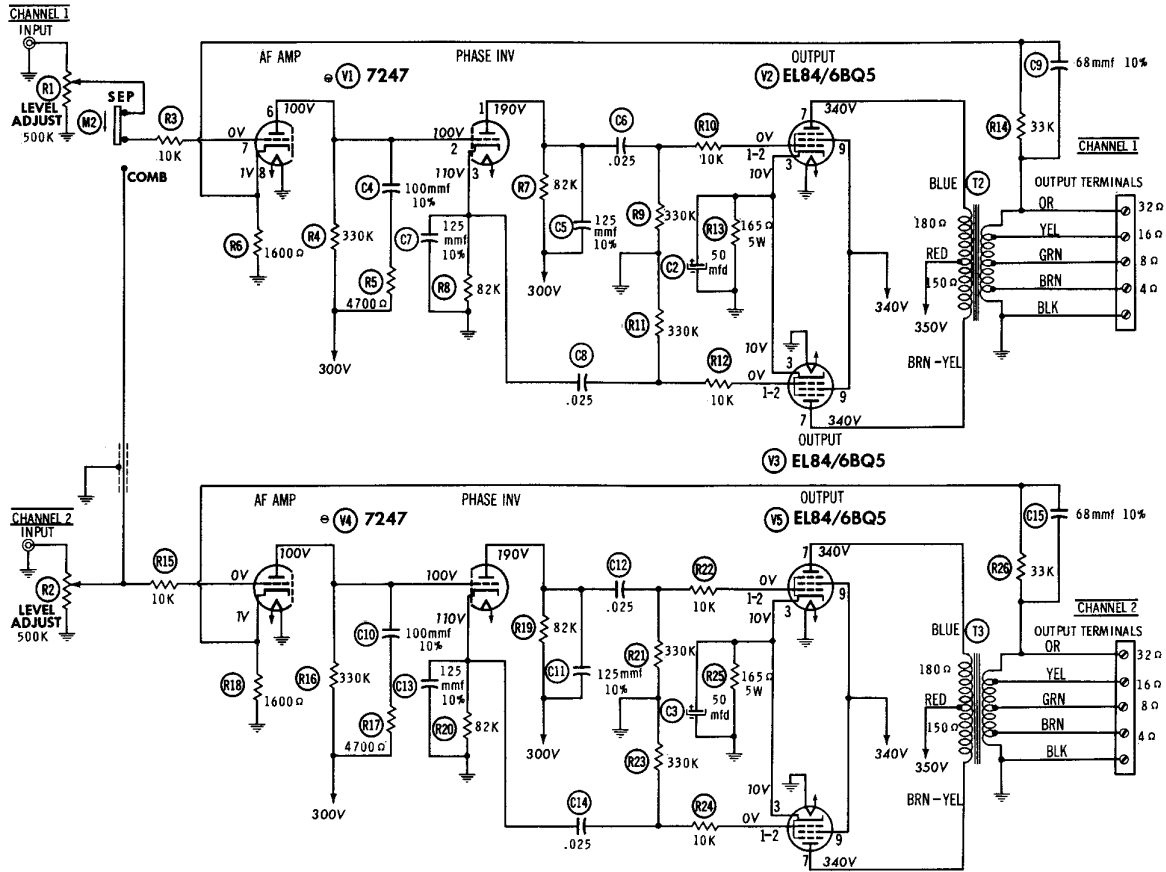
ITEM No.	TYPE	RATING	REPLACEMENT DATA		FUSE HOLDER	FUSE PART No.	NOTES
			EICO PART No.	Holder PART No.			
M1	3AG	3A 250V	91005	97800	341001	AGC 3 HXP	

MISCELLANEOUS

ITEM No.	PART NAME	EICO PART No.	NOTES
M2	Switch	62002	
M3	Switch	61000	Selector, (Slide Type SPST) Power Off-On (Toggle)

CHASSIS—BOTTOM VIEW





- DC voltage measurements taken with vacuum tube voltmeter; AC voltages measured with 1000 ohm per volt voltmeter.
- Socket connections are shown as bottom views.
- Measured values are from socket pin to common ground.
- Line voltage maintained at 117 volts for voltage readings.
- Nominal tolerance of component values makes possible a variation of ±1% in voltage and resistance readings.
- All controls at minimum, proper output load connected.

SEE PARTS LIST FOR ALTERNATE VALUE OR APPLICATION

A PHOTOFAC STANDARD NOTATION SCHEMATIC
Howard W. Sams & Co., Inc. 1962

RESISTANCE READINGS										
ITEM	TUBE	Pin 1	Pin 2	Pin 3	Pin 4	Pin 5	Pin 6	Pin 7	Pin 8	Pin 9
V1	7247	†92K	†340K	82K	FIL	FIL	†340K	10K	1600Ω	FIL
V2	EL84/6BQ5	NC	340K	165Ω	FIL	FIL	NC	†180Ω	NC	†350Ω
V3	EL84/6BQ5	NC	340K	165Ω	FIL	FIL	NC	†150Ω	NC	†350Ω
V4	7247	†92K	†340K	82K	FIL	FIL	†340K	10K	1600Ω	FIL
V5	EL84/6BQ5	NC	340K	165Ω	FIL	FIL	NC	†180Ω	NC	†350Ω
V6	EL84/6BQ5	NC	340K	165Ω	FIL	FIL	NC	†150Ω	NC	†350Ω
V7	EZ81/6CA4	42Ω	NC	†	FIL	FIL	NC	42Ω	NC	NC
V8	EZ81/6CA4	45Ω	NC	†	FIL	FIL	NC	45Ω	NC	NC

† THIS READING WILL VARY DEPENDING UPON THE CONDITION OF THE ELECTROLYTIC IN THE CIRCUIT.
‡ MEASURED FROM PIN 3 OF V7 OR V8.
NC NO CONNECTION

EICO MODEL
HF-86