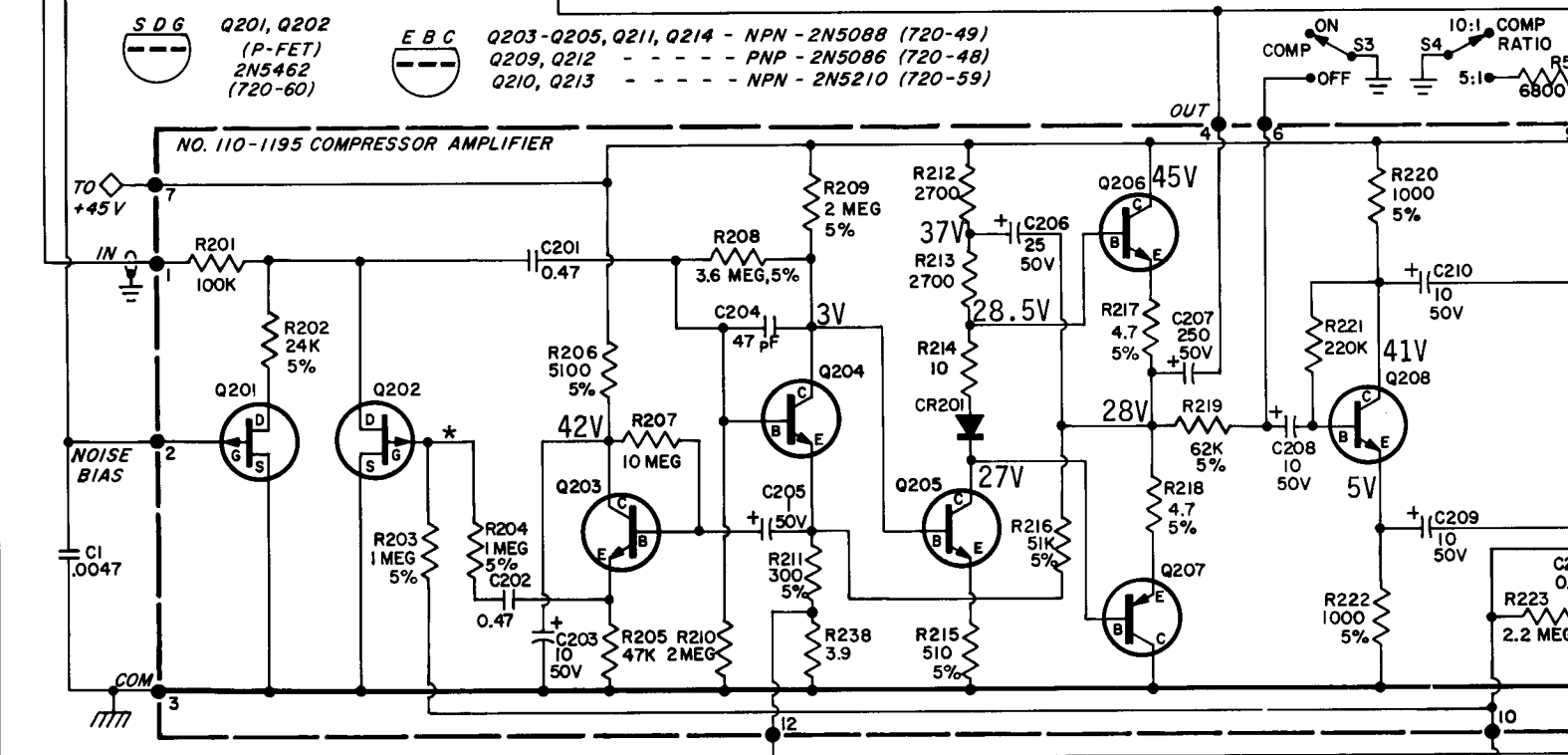


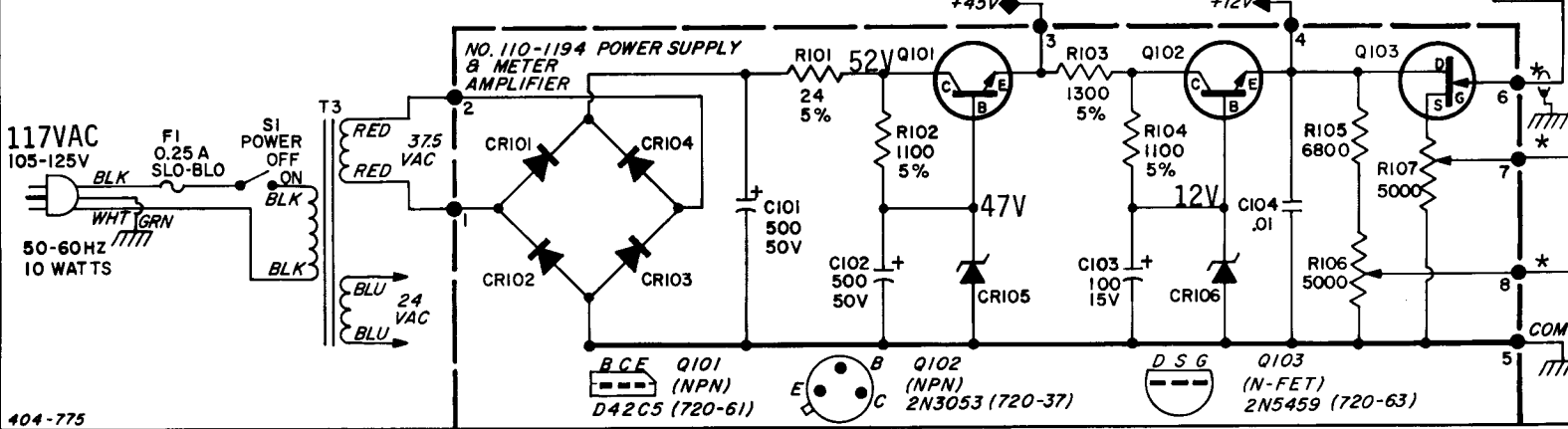
E B C Q301 THRU Q309 - NPN
2N5088 (720-49)

TO +12V

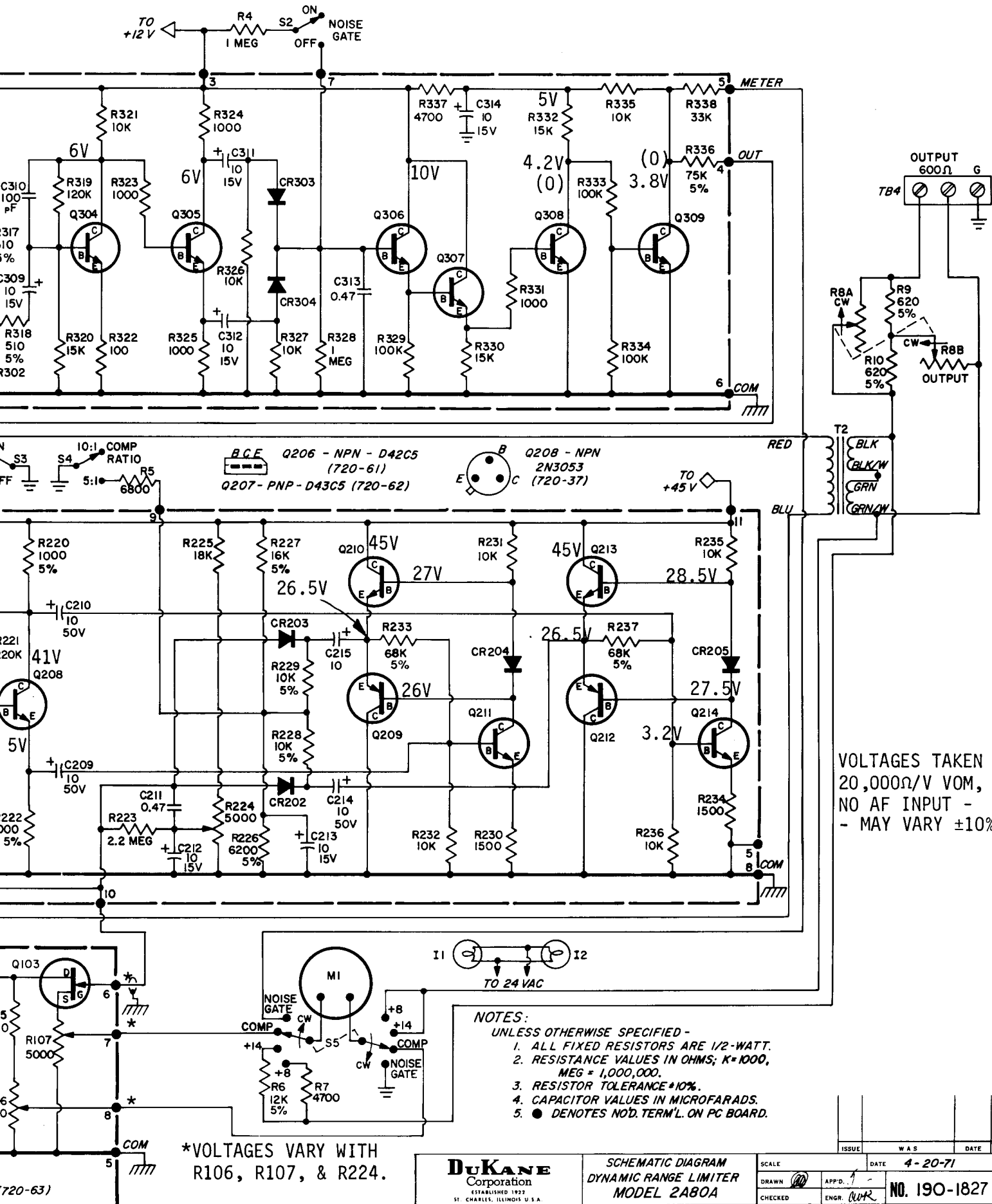


S D G Q201, Q202
(P-FET)
2N5462 (720-60)

E B C Q203-Q205, Q211, Q214 - NPN - 2N5088 (720-49)
Q209, Q212 - PNP - 2N5086 (720-48)
Q210, Q213 - NPN - 2N5210 (720-59)



B C E Q101 (NPN) D42C5 (720-61)
E B C Q102 (NPN) 2N3053 (720-37)
D S G Q103 (N-FET) 2N5459 (720-63)



VOLTAGES TAKEN WITH
20,000Ω/V VOM, WITH
NO AF INPUT -
- MAY VARY ±10%.

- NOTES:
UNLESS OTHERWISE SPECIFIED -
1. ALL FIXED RESISTORS ARE 1/2-WATT.
 2. RESISTANCE VALUES IN OHMS; K=1000, MEG = 1,000,000.
 3. RESISTOR TOLERANCE ±10%.
 4. CAPACITOR VALUES IN MICROFARADS.
 5. ● DENOTES NOD. TERM'L. ON PC BOARD.

*VOLTAGES VARY WITH
R106, R107, & R224.

DUKANE
Corporation
ESTABLISHED 1922
ST. CHARLES, ILLINOIS U.S.A.

SCHEMATIC DIAGRAM
DYNAMIC RANGE LIMITER
MODEL 2A80A

SCALE	DATE	4-20-71
DRAWN	APP'D.	
CHECKED	ENGR.	OUTR
ISSUE	W A S	DATE
NO. 190-1827		