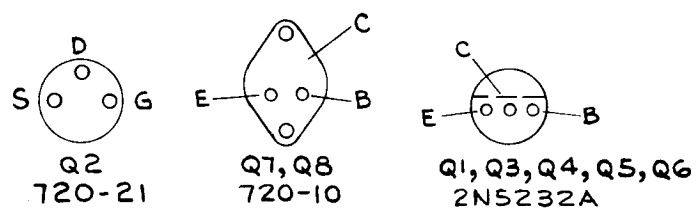


- NOTES:  
 UNLESS OTHERWISE SPECIFIED:  
 1. ALL FIXED RESISTORS ARE 1/2 WATT.  
 2. TOLERANCES ON FIXED RESISTORS ±10%.  
 3. RESISTANCE VALUES IN OHMS.  
 K = 1000 OHMS, MEG = 1,000,000 OHMS.  
 4. CAPACITANCE VALUES IN MICROFARADS.  
 5. □ - DENOTES BOARD CONTACT NUMBERS TO THE RECEPTACLE FOR PLUG-IN.  
 6. 720-10 TRANSISTORS Q7 & Q8 MUST BE OF THE SAME GAIN GROUP. WHEN REPLACEMENT IS REQUIRED, BE SURE TO REPLACE ONLY WITH 720-10 OF SAME GAIN GROUP AS THE OTHER OUTPUT TRANSISTOR.  
 7. VOLTAGES MEASURED WITH 20,000Ω/V VOM, NO SIGNAL IN.  
 8. VOLTAGES MAY VARY ±10%.

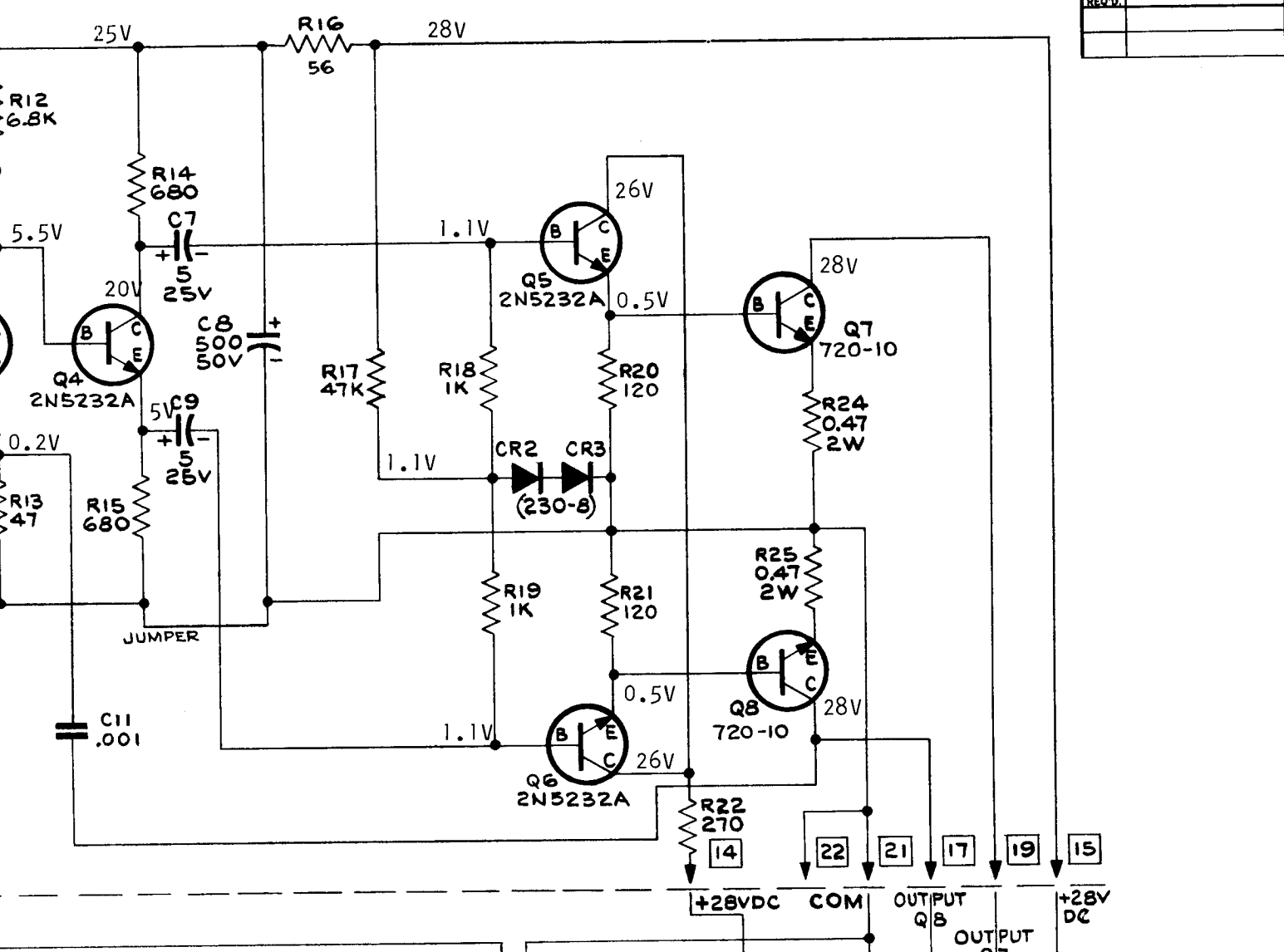
(REFERENCE)  
 NOT PART OF  
 110-964B



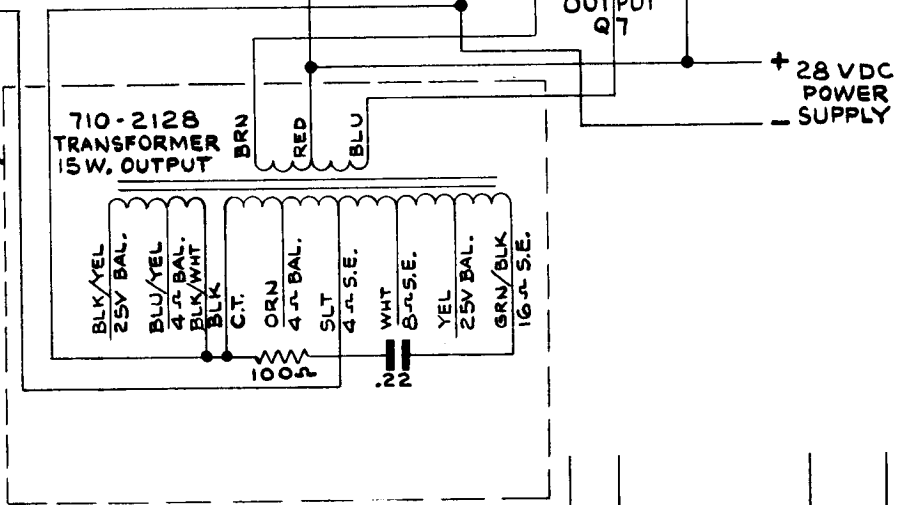
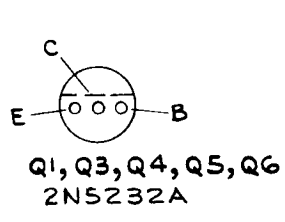
MATERIAL  
 UNLESS OTHERWISE SPECIFIED DECIMAL D  
**DuKANE**  
 Corporation  
 ESTABLISHED 1922  
 ST. CHARLES, ILLINOIS U.S.A.

COMM. SYST., HOSP. SYST., A.L.L. SRVC MANUALS

190-1662	
NO. REQ'D.	USED ON

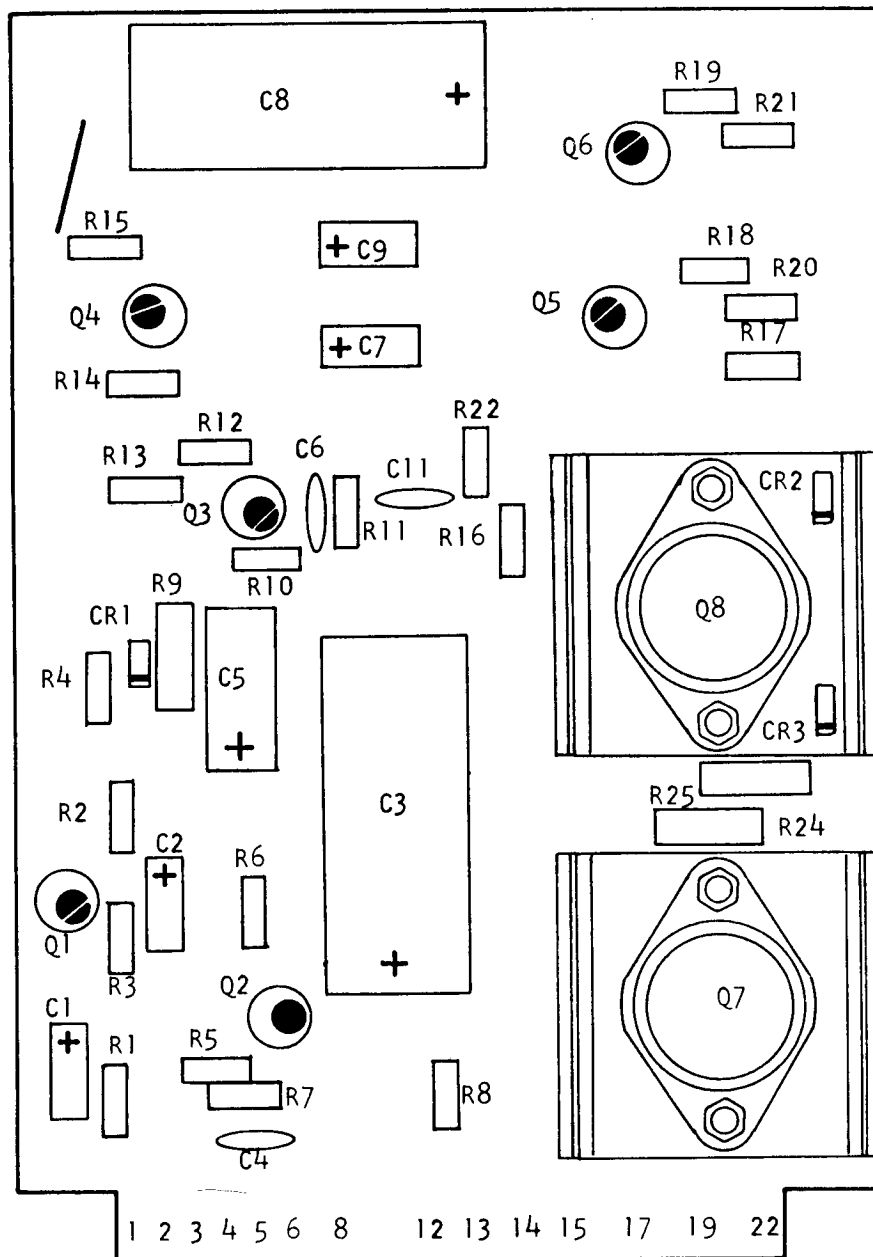


(REFERENCE)  
NOT PART OF  
110-964B



MATERIAL		FINISH		ISSUE	W A S	DATE	APPR.
UNLESS OTHERWISE SPECIFIED DECIMAL DIMENSIONS TO BE ±.		FRACTIONAL DIMENSIONS TO BE ±		ANGLES TO BE ±		DATE 9-27-68	
<b>DUKANE</b> Corporation ESTABLISHED 1922 ST. CHARLES, ILLINOIS U.S.A.		SCHEMATIC DIAGRAM MODEL 110-964B 15 WATT PCB AMPLIFIER		SCALE	APP'D. <i>[Signature]</i>	NO. 190-1662 - 00	
DRAWN <i>[Signature]</i>		CHECKED		ENGR. <i>[Signature]</i>		ISSUE	

B



# REVISED REPAIR PARTS AND PRICE LISTS

NO. 110-964

REFERENCE: Schematic diagram No. 190-1521.

LEGEND	DESCRIPTION	PART NO.	*PRICE	SEE NOTE
Rev. -01 & -02	Foil contact #22 added and connected to #21 (COM); C10 was 680 pF.			
C10	Capacitor, 470 pF, 500 WVDC	199-1009-471	.10	1.
Rev. -02	Q1, Q3, Q4, Q5 and Q6 changed.			
Q1, Q3, Q4, Q5, Q6	Transistor, type 2N5232A	720-2N5232A	.50	4.
Rev. -03	C5 and C6 are changed.			
C5	Capacitor, 100 $\mu$ F, 25 WVDC; electrolytic	199-2021-107	.90	3.
C6	" , 470 pF, 500 WVDC	199-1009-471	.10	3.
PLEASE discard BLUE sheets through 404-473.01.				

### IMPORTANT NOTES

Place a check mark (✓) in the REVISION column on original (white) price list to indicate these changes.

### REASON FOR CHANGE

1. IMPROVED VERSION
2. ADDED COMPONENT
3. NEW VALUE REQUIRED
4. OLD PART NOT AVAILABLE

COMMUNICATIONS SYSTEMS; HOSPITAL SYSTEMS;  
A.L.L. SERVICE MANUALS

\*Prices subject to revision. Prices applicable in U.S.A., Canada and Puerto Rico; international prices 10% higher.