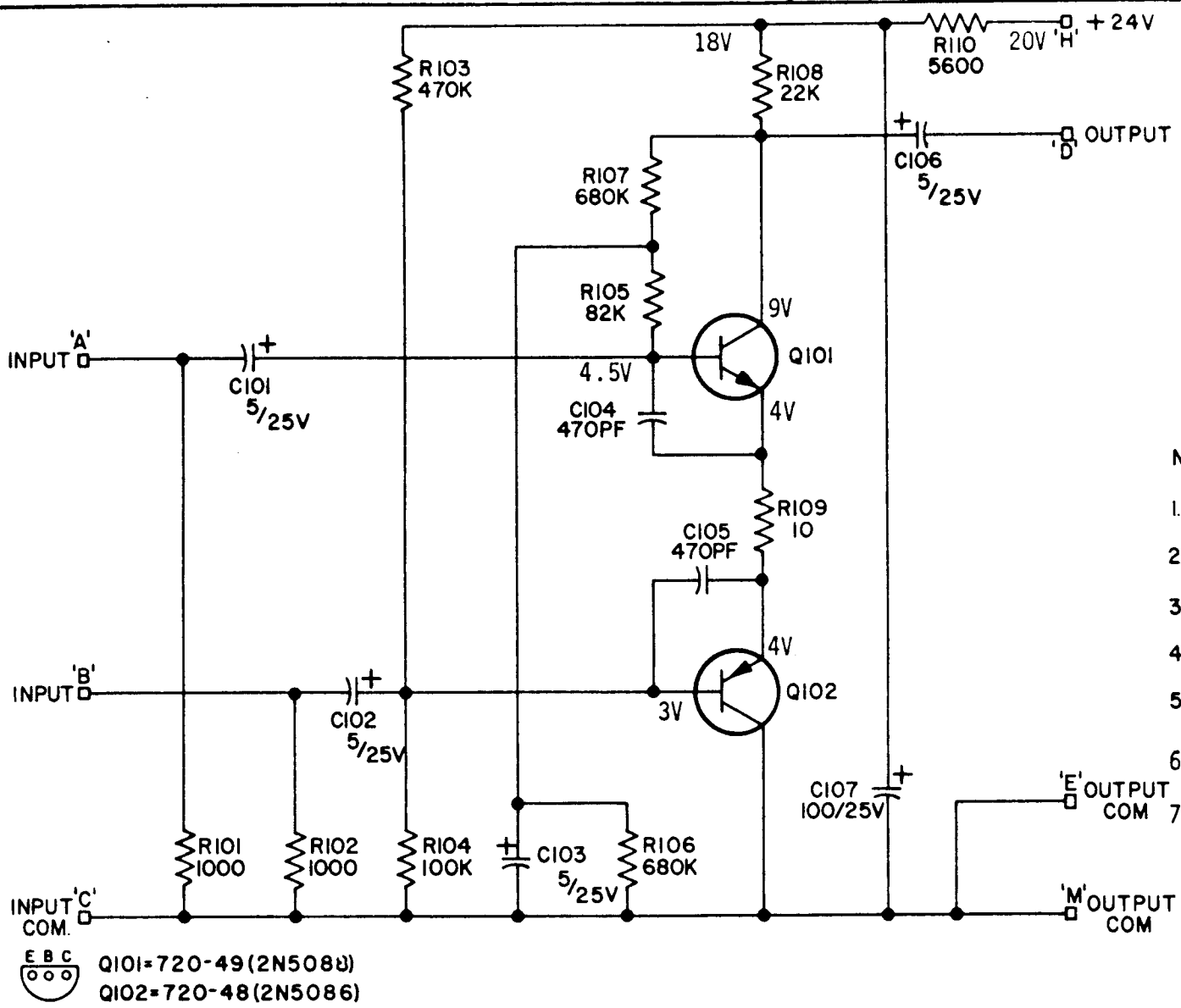



404-R1R



REVISIONS			
ISS	DESCRIPTION	APP'D	DATE

- NOTES:  
UNLESS OTHERWISE SPECIFIED:
1. ALL FIXED RESISTORS ARE 1/2 WATT.
  2. TOLERANCES ON ALL FIXED RESISTOR  $\pm 10\%$ .
  3. RESISTANCE VALUES IN OHMS. K=1000 OHMS
  4. CAPACITANCE VALUES IN MICROFARADS.
  5.  $\square$ -DENOTES TAPER PINS ON P.C. BOARD.
  6. VOLTAGE MEASURED WITH 20,000 $\Omega$ /V VOM; MAY VARY  $\pm 10\%$
  7. DC VOLTAGE MEASURED WITH NO SIGNAL APPLIED.


 Q101=720-49(2N508U)  
 Q102=720-48(2N5086)

1A950 APPLICATION	 DuKane Corporation ESTABLISHED 1922 ST. CHARLES, ILLINOIS U.S.A.	SCHEMATIC DIAGRAM SINGLE MIC STAGE ASSY. 10-1294	SCALE	DATE DRAWN 6-28-72	
			DRAWN BW	APP'D	NO.190-1838
			CHECKED	ENGR. LK	

190-1838 110-1294

LEGEND	DESCRIPTION	DUKANE PART NUMBER
C101, C102, C103, C106	Capacitor, 5 $\mu$ F, 25 WVDC 'lytic	199-2021-505
C104, C105	" , 470 pF, 1000-volt ceramic disc	199-1014-471
C107	" , 1000 $\mu$ F, 25 WVDC 'lytic	199-2021-107
Q101	Transistor, NPN; 2N5088	720-49
Q102	" , PNP; 2N5086	720-48
R101, R102	Resistor, 1000 ohms, 1/2 watt	600-0080-102
R103	" , 470,000 ohms, 1/2 watt	600-0080-474
R104	" , 100,000 ohms, 1/2 watt	600-0080-104
R105	" , 82,000 ohms, 1/2 watt	600-0080-823
R106, R107	" , 680,000 ohms, 1/2 watt	600-0080-684
R108	" , 22,000 ohms, 1/2 watt	600-0080-223
R109	" , 10 ohms, 1/2 watt	600-0080-100
R110	" , 5600 ohms, 1/2 watt	600-0080-562

