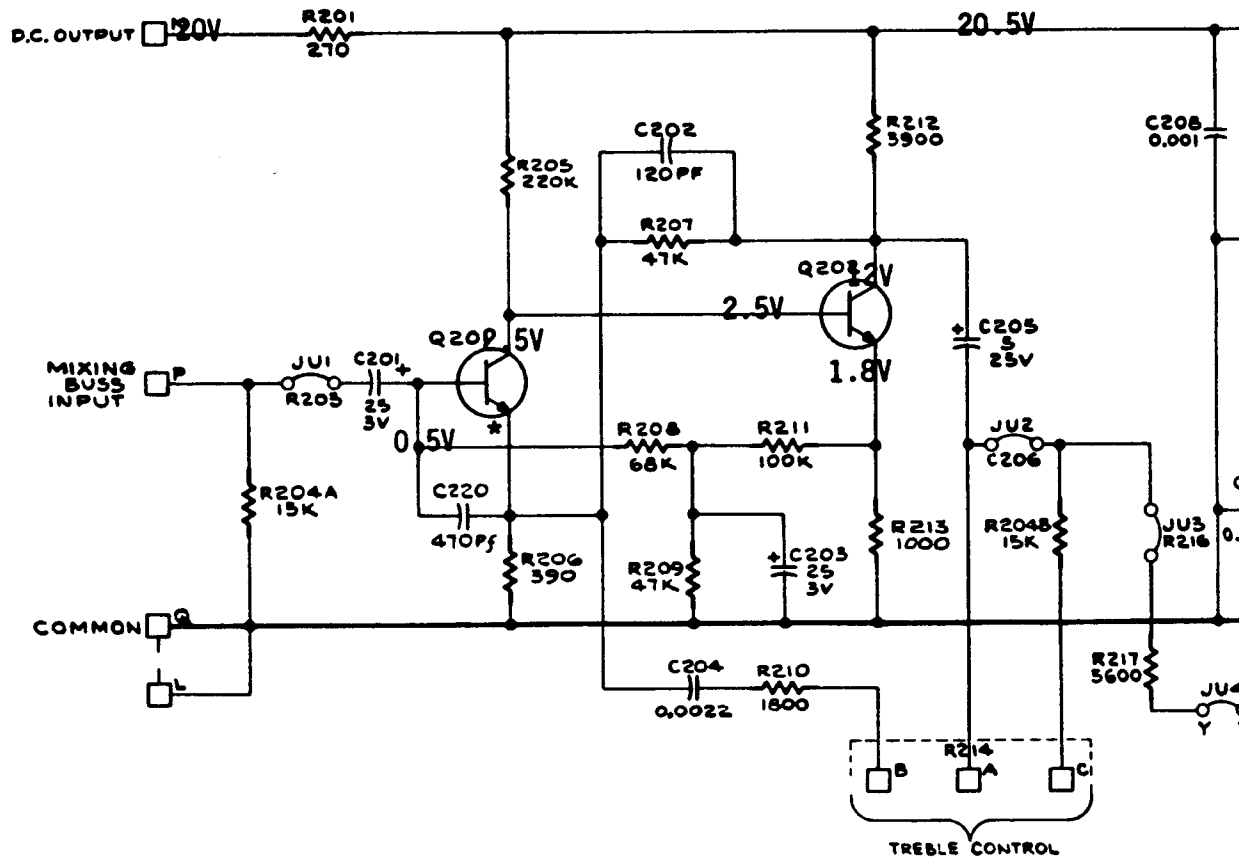


REPAIR PARTS LIST

110-1292

LEGEND	DESCRIPTION	DUKANE PART NUMBER
C201, C203	Capacitor, 25 μ F, 3 WVDC 'lytic	199-2045-256
C202	" , 120 pF, 1000-volt ceramic disc	199-1014-121
C204	" , .0022 μ F, 200-volt film	199-4046-222
C205, C212	" , 5 μ F, WVDC 'lytic	199-2021-505
C208, C213, C219	" , .001 μ F, 1000-volt ceramic disc	199-1014-102
C209, C210, C217	" , 100 μ F, 25 WVDC 'lytic	199-2021-107
C215	" , 30 pF, 1000-volt ceramic disc	199-1013-300
C216	" , 22 pF, 1000-volt ceramic disc	199-1013-220
CR201	Diode, zener; 22-volt	230-19-00022
Q201, Q205	Transistor, NPN; 2N5088	720-49
Q202, Q206	" , NPN; 2N6515	720-46
Q204	" , NPN; MPS 6566	720-47
R201	Resistor, 270 ohms, 1/2 watt	600-0080-271
R204, R225	" , 15,000 ohms, 1/2 watt	600-0080-153
R205, R224	" , 220,000 ohms, 1/2 watt	600-0080-224
R206	" , 390 ohms, 1/2 watt	600-0080-391
R207, R209	" , 47,000 ohms, 1/2 watt	600-0080-473
R208	" , 68,000 ohms, 1/2 watt	600-0080-683
R210	" , 1800 ohms, 1/2 watt	600-0080-182
R211	" , 100,000 ohms, 1/2 watt	600-0080-104
R212	" , 3900 ohms, 1/2 watt	600-0080-392
R213, R220, R232	" , 1000 ohms, 1/2 watt	600-0080-102
R214	" , variable, 100,000 ohms; TREBLE	601-224
R217	" , 5600 ohms, 1/2 watt	600-0080-562
R222, R230	" , 4700 ohms, 1/2 watt	600-0080-472
R223	" , 2700 ohms, 1/2 watt	600-0080-272
R226	" , 10 ohms, 1/2 watt	600-0080-100
R227	" , 390,000 ohms, 1/2 watt	600-0080-394
R228	" , 18,000 ohms, 1/2 watt	600-0080-183
R229, R235	" , 6800 ohms, 1/2 watt	600-0080-682
R231	" , 470 ohms, 1/2 watt	600-0080-471
R233	" , 680 ohms, 1/2 watt	600-0080-681
R234	" , 2200 ohms, 1/2 watt	600-0080-222
R236	" , 3.3 ohms, 1/2 watt	600-0080-3R3
R237	" , 100 ohms, 1/2 watt	600-0080-101



NOTES:

UNLESS OTHERWISE SPECIFIED:

1. ALL FIXED RESISTORS ARE 1/2 WATT.
2. TOLERANCES ON ALL FIXED RESISTORS $\pm 10\%$
3. RESISTANCE VALUES IN OHMS.
K = 1000 OHMS
4. CAPACITANCE VALUES IN MICROFARADS.
5. \square DENOTES PINS ON PCBOARD
6. O DENOTES HOLES IN PCBOARD
7. C 219 LOCATION: C5
C 220 LOCATION: D2
8. VOLTAGES MEASURED WITH 20,000 Ω /V VOM; MAY VARY $\pm 10\%$.
9. DC VOLTAGES MEASURED WITH NO SIGNAL APPLIED.
10. * VOLTAGE INDICATED ON VOM IS MEANINGLESS.

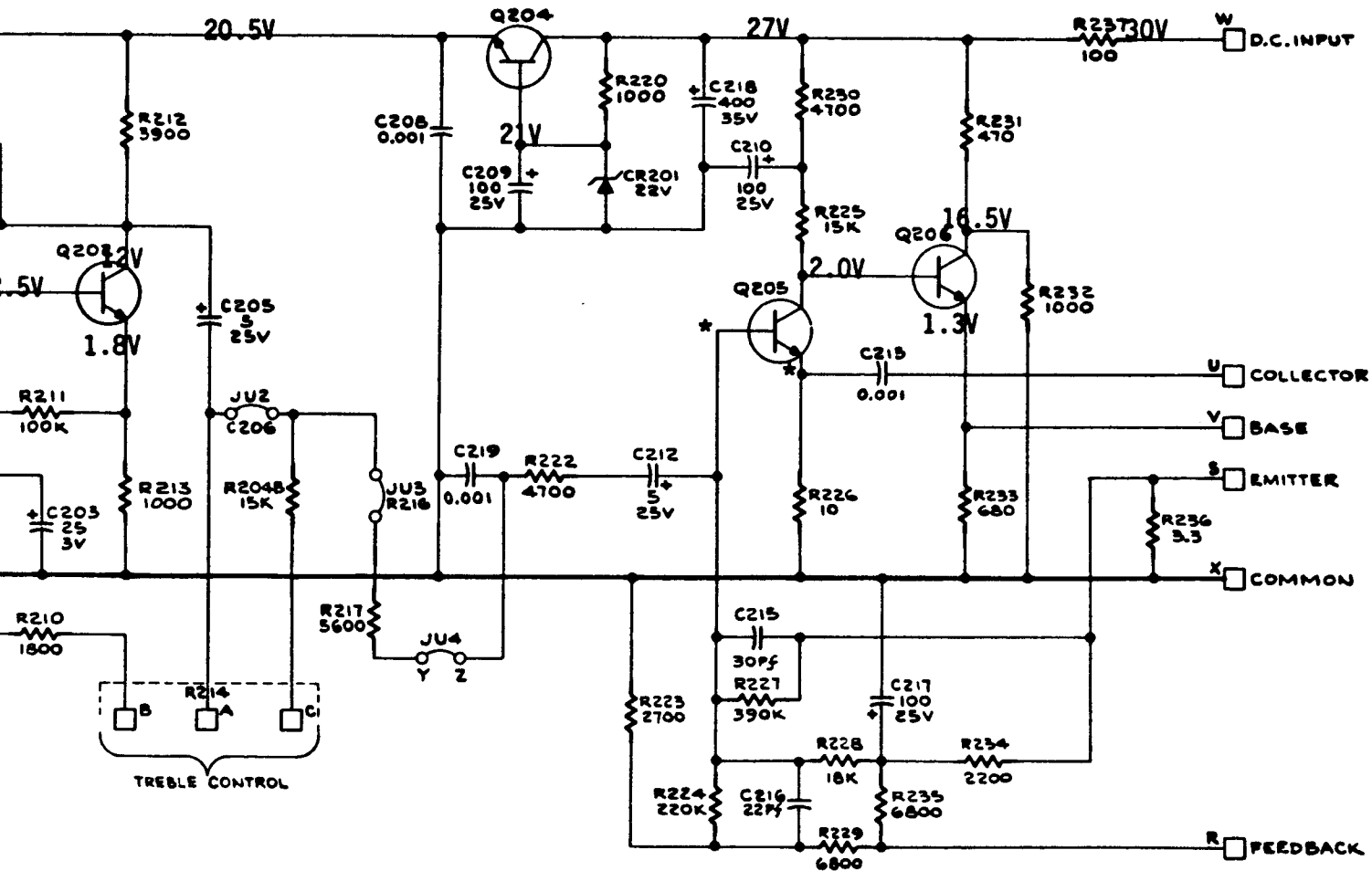


Q201, Q205 = 720-49 (2N5088)
 Q202, Q206 = 720-46 (2N6515)
 Q204 = 720-47 (MP56366)

R214 (100K LINE)



REAR VIEW SHO



(2N5088)
G(2N6515)
SG566)

R214(100K LINEAR)



REAR VIEW SHOWN

MATERIAL		FINISH	
UNLESS OTHERWISE SPECIFIED:	DIMENSIONS ARE IN INCHES	FRACTIONS: 2	3 PLACE DECIMALS
1A950			
ISS.	NEXT ASSY	USED ON	
APPLICATION			
		SCHEMATIC DIAGRAM PWR. AMPL. DRIVER ASSY. 110-1292	
DuKane Corporation BRANDED 1958 ST. CHARLES, MISSOURI, U.S.A.		SCALE	
		CHECKED	