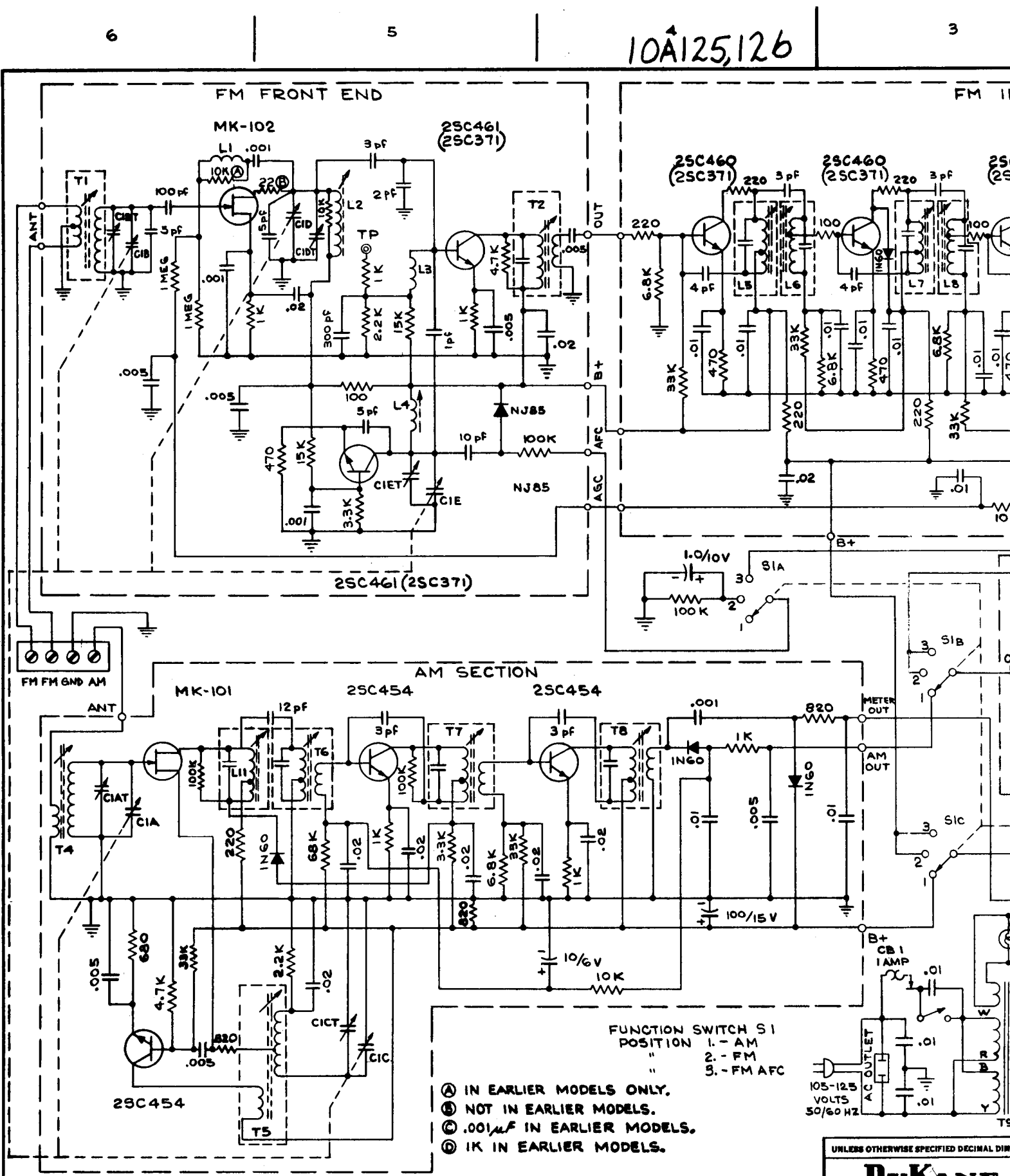


10A125,126

COMMUNICATIONS SYSTEMS SERVICE MANUAL



- Ⓐ IN EARLIER MODELS ONLY.
- Ⓑ NOT IN EARLIER MODELS.
- Ⓒ .001μF IN EARLIER MODELS.
- Ⓓ 1K IN EARLIER MODELS.

FUNCTION SWITCH S1
 POSITION 1. - AM
 " 2. - FM
 " 3. - FM AFC

404-589.02

UNLESS OTHERWISE SPECIFIED DECIMAL DIPS

DuKANE
 Corporation
 ESTABLISHED 1927
 ST. CHARLES, ILLINOIS U.S.A.

10A125,126

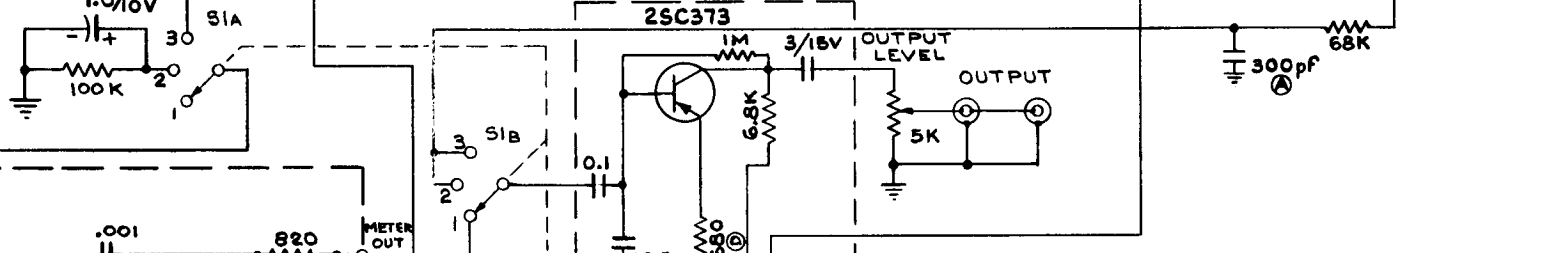
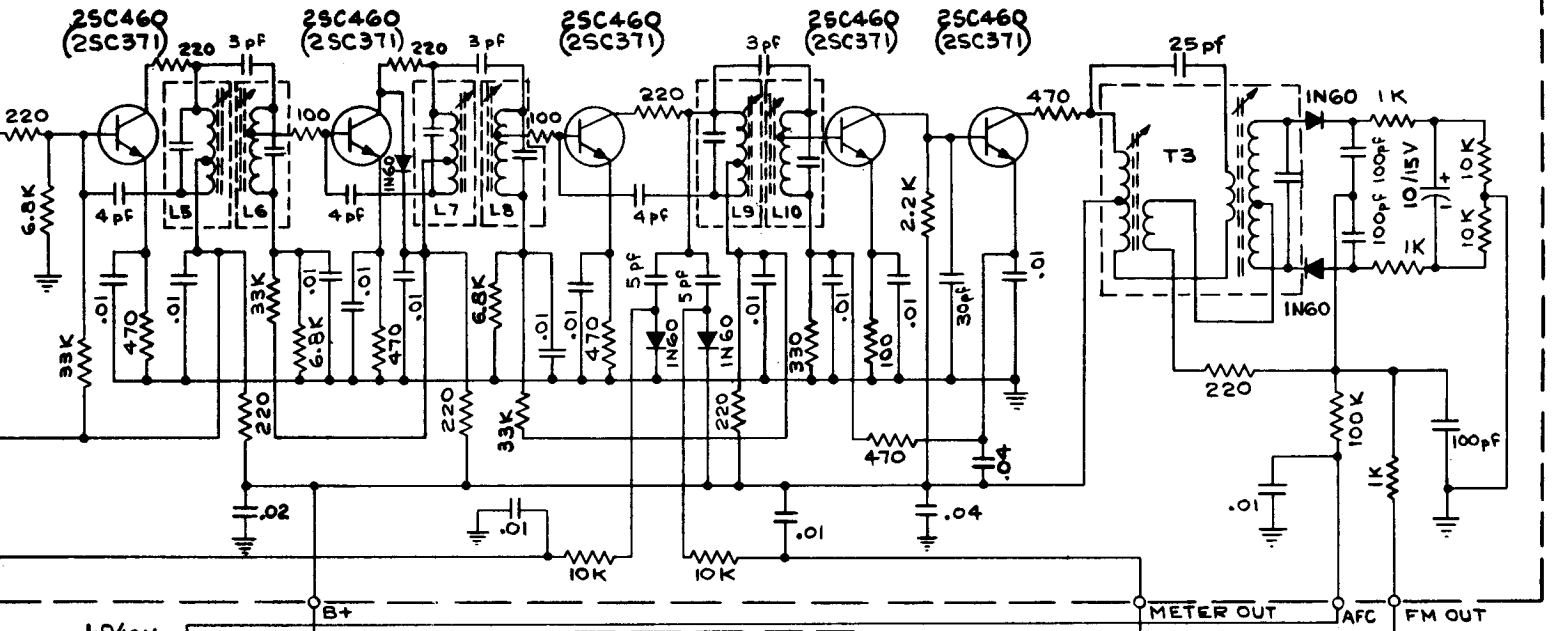
3

2

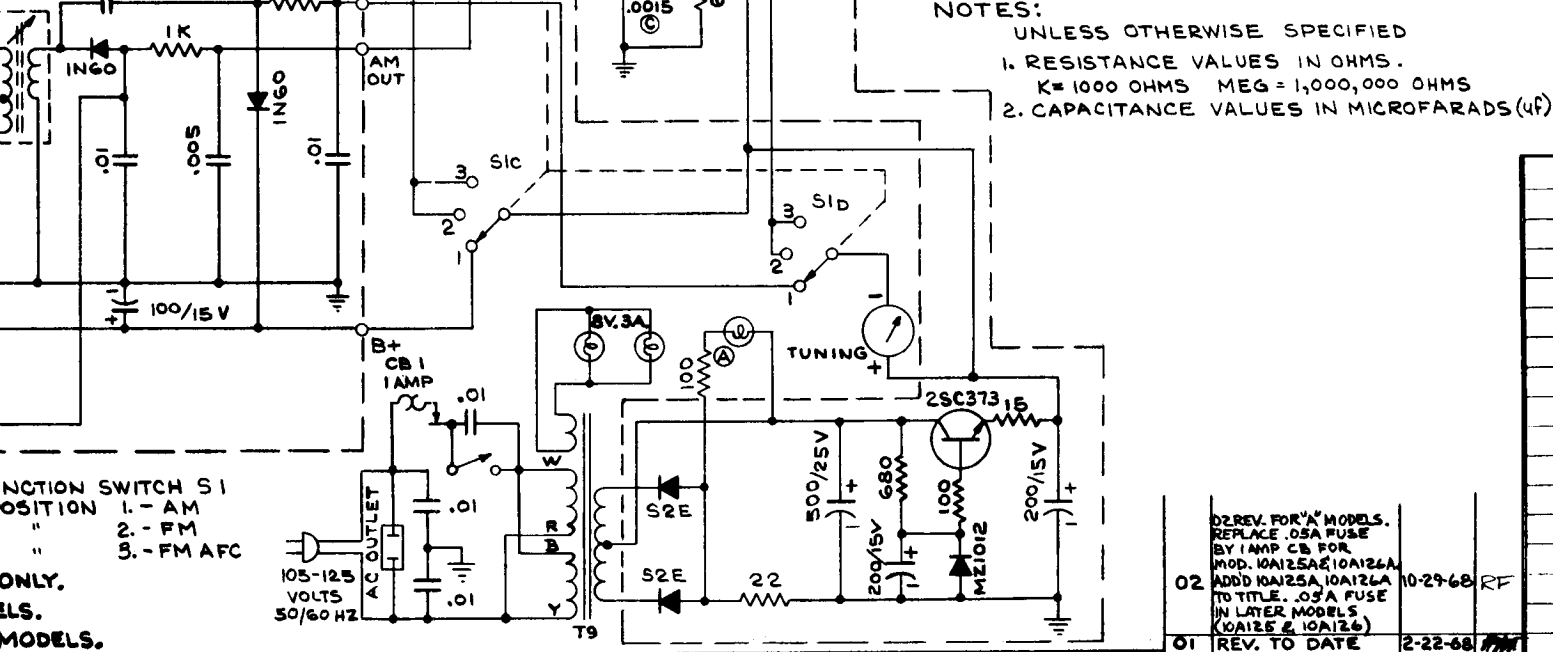
1

FM IF SECTION

190-1601	
NO. REQ'D.	USED ON



NOTES:
 1. RESISTANCE VALUES IN OHMS.
 K= 1000 OHMS MEG= 1,000,000 OHMS
 2. CAPACITANCE VALUES IN MICROFARADS (μf)



SECTION SWITCH S1 POSITION
 1. - AM
 2. - FM
 3. - FM AFC

ONLY. MODELS. U.S.

02	REV. FOR "A" MODELS. REPLACE .05A FUSE BY 1 AMP CB FOR MOD. 10A125A, 10A126A. ADD 10A125A, 10A126A TO TITLE. .05A FUSE IN LATER MODELS (10A125 & 10A126)	10-29-68	RF
01	REV. TO DATE	2-22-68	

DUKANE Corporation ESTABLISHED 1922 ST. CHARLES, ILLINOIS U.S.A.	SCHEMATIC DIAGRAM MODELS 10A125 & 10A125A 10A126 & 10A126A AM-FM TUNER	SCALE	DATE 6-30-67	ISSUE W A S DATE APPR.
		DRAWN <i>WJL</i>	APP'D. <i>ELB</i>	
		CHECKED	ENGR. <i>WJL</i>	ISSUE

4

3

2

1