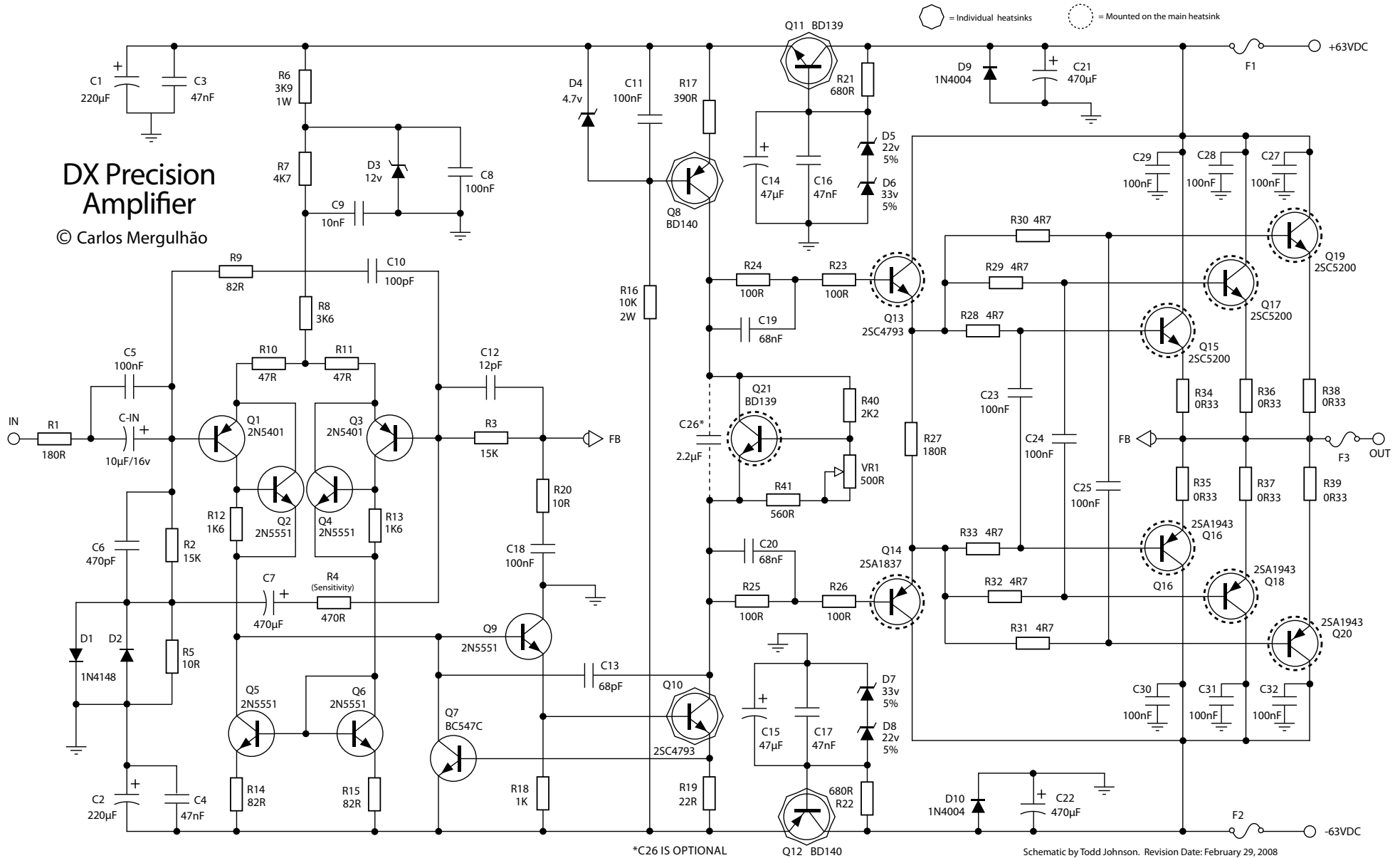


# DX Precision Amplifier

© Carlos Mergulhão



\*C26 IS OPTIONAL

Q12 BD140

Schematic by Todd Johnson. Revision Date: February 29, 2008

mm 2.80 X mm 2.80

