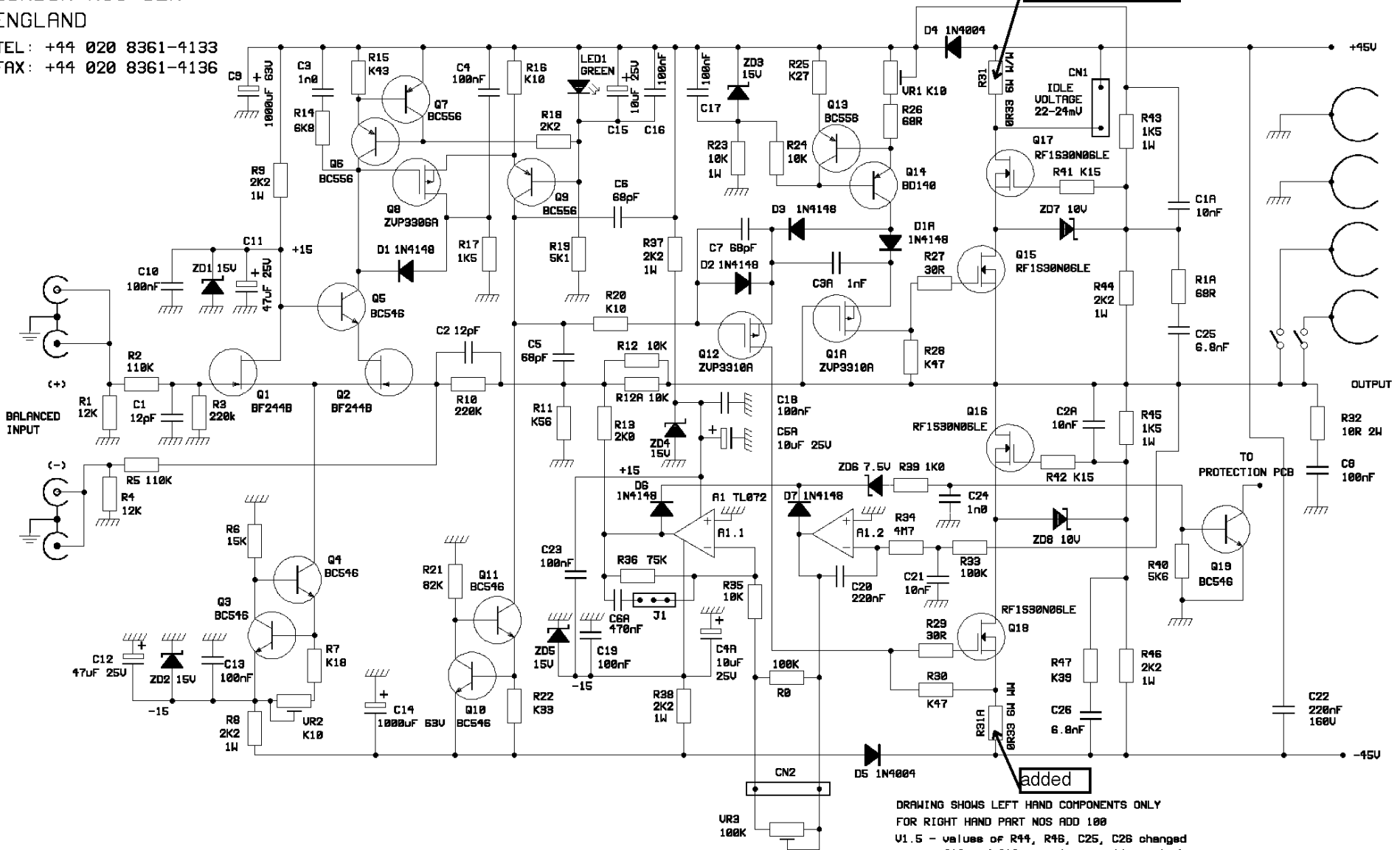


# CREEK AUDIO Ltd.

2 BELLEVUE ROAD  
LONDON N11 3ER  
ENGLAND

TEL: +44 020 8361-4133  
FAX: +44 020 8361-4136

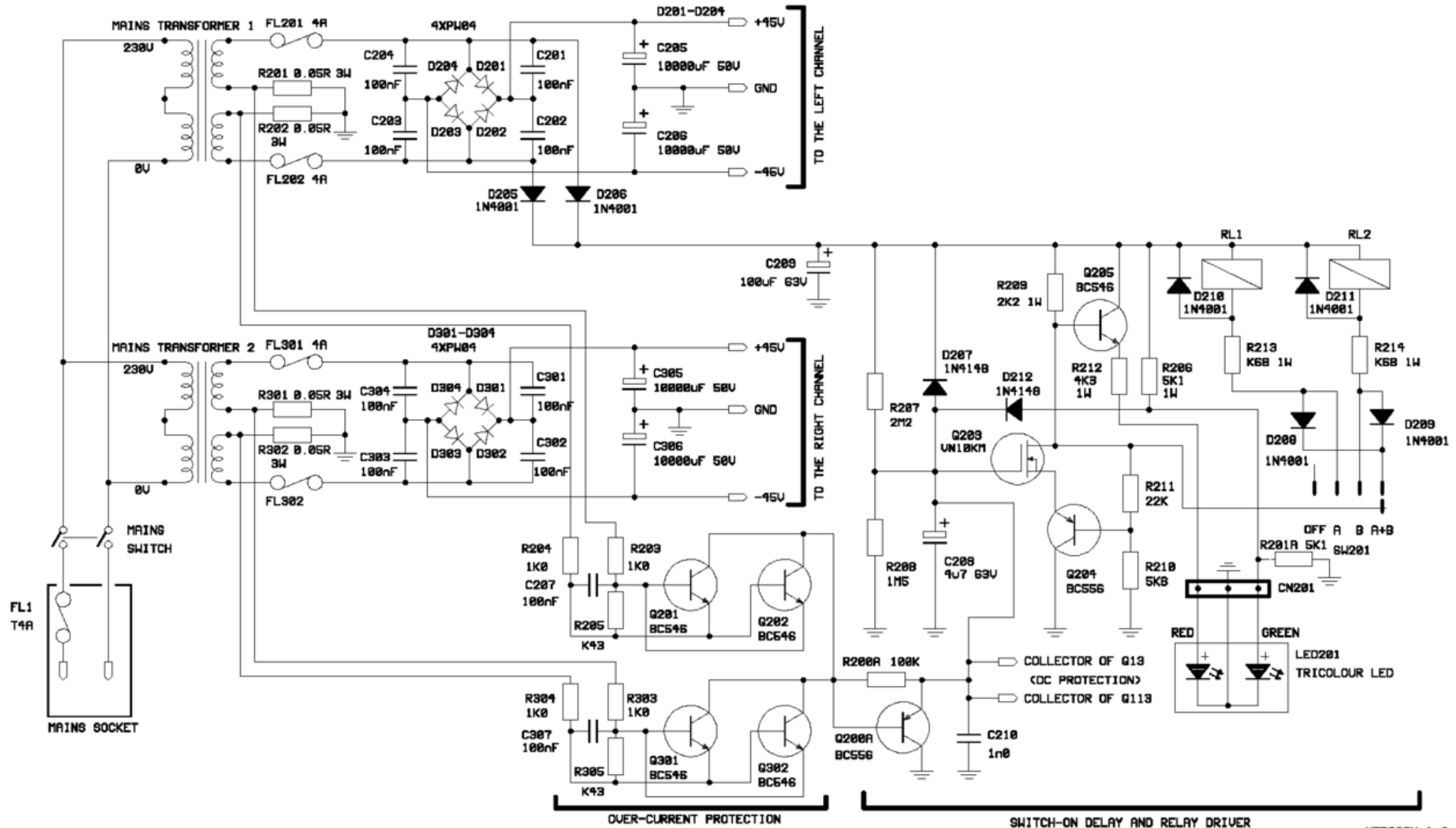
# SCHEMATIC DIAGRAM OF CREEK A52 POWER AMP V1.5b PART 1

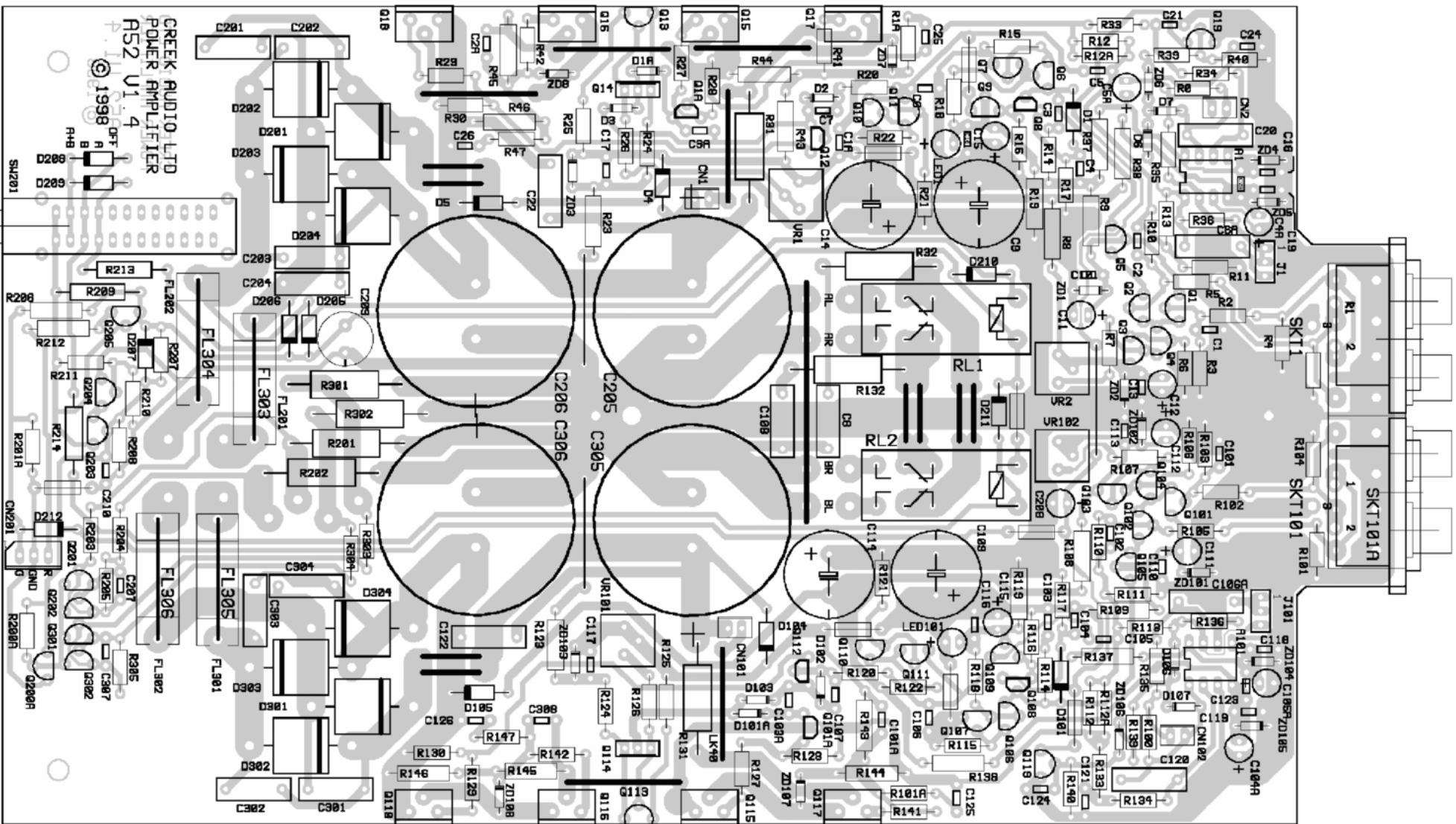


DRAWING SHOWS LEFT HAND COMPONENTS ONLY  
FOR RIGHT HAND PART NOS ADD 100  
V1.5 - values of R44, R46, C25, C26 changed  
V1.5a Q16 and Q18 were incorrectly marked  
V1.5B R31 CHANGED AND R31A ADDED

CREEK AUDIO LIMITED  
 2, BELLEVUE ROAD  
 FRIERN BARNET  
 LONDON N11 3ER  
 TEL 0181-361-4133  
 FAX 0181-361-4136

# SCHEMATIC DIAGRAM OF A52SE AMPLIFIER V1.4 PROTECTION AND POWER SUPPLY





CREEK AUDIO LTD  
POWER AMPLIFIER  
RS2 U1.4  
© 1998  
OFF  
A  
B  
FH8  
D200  
D205

SM201