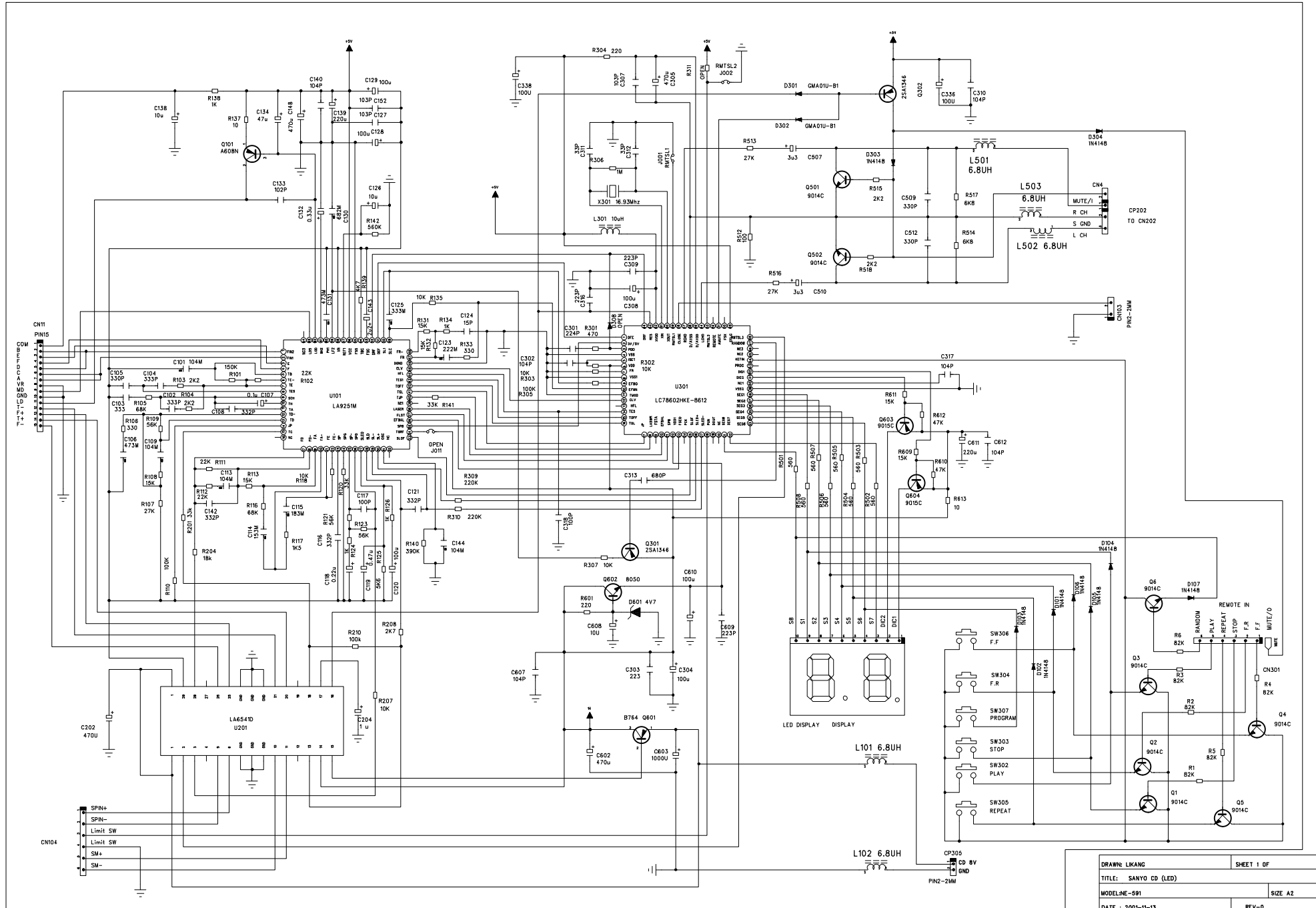


DESIGN BY: LIKANG	APPROVED BY:
SCHEMATIC DIAGRAM	SIZE:
MODEL NUMBER : NE-991 2/3W/REM	SHEET
DATE: 2001-09-20	VER :
NELSON ELECTRONIC CO., LTD	

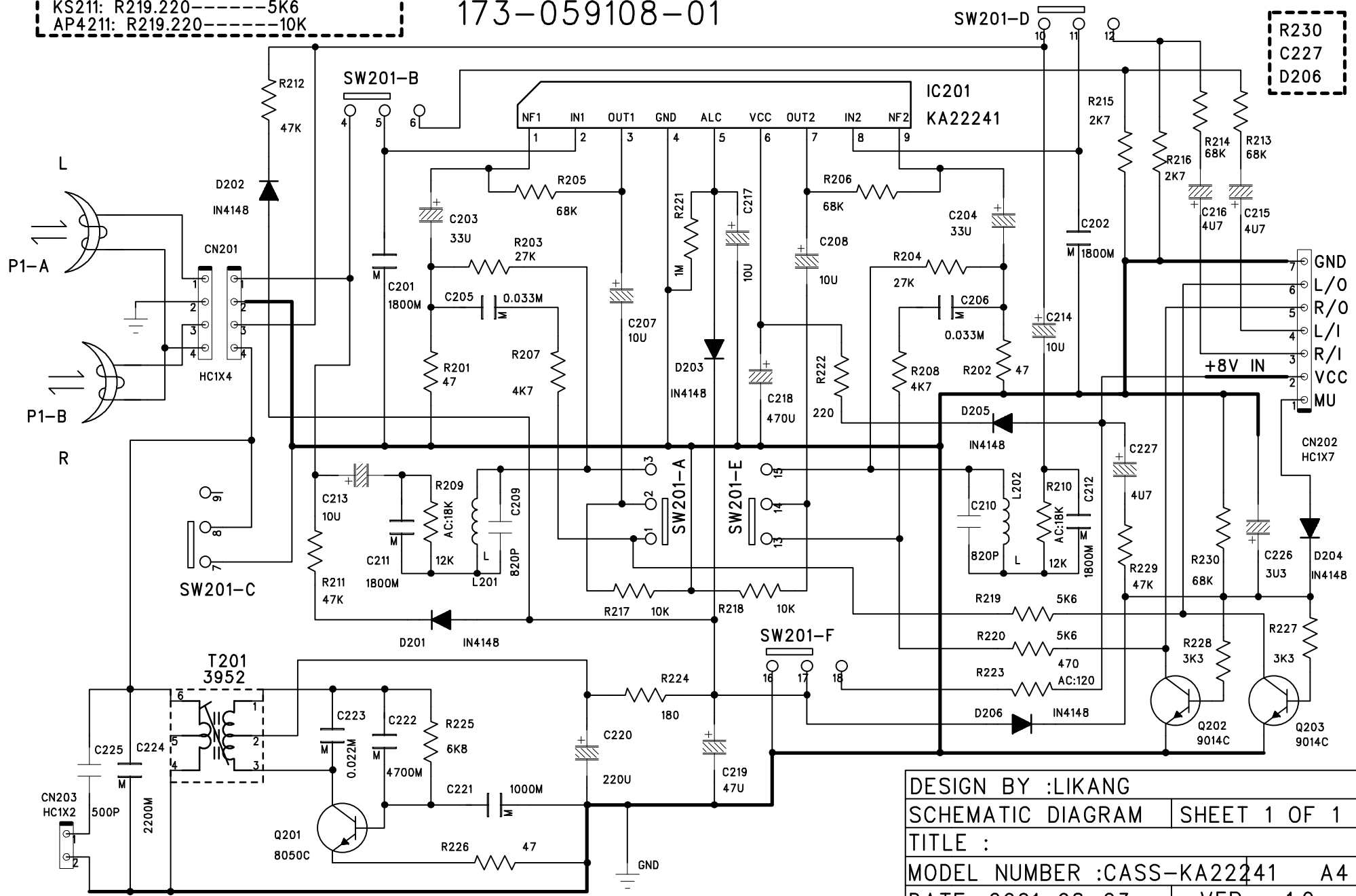


DRAWN: LKANG	SHEET 1 OF
TITLE: SANYO CD (LED)	
MODEL: NE-591	SIZE: A2
DATE: 2001-11-13	REV: 0
SANYO CD	

KS211: R219.220-----5K6
 AP4211: R219.220-----10K

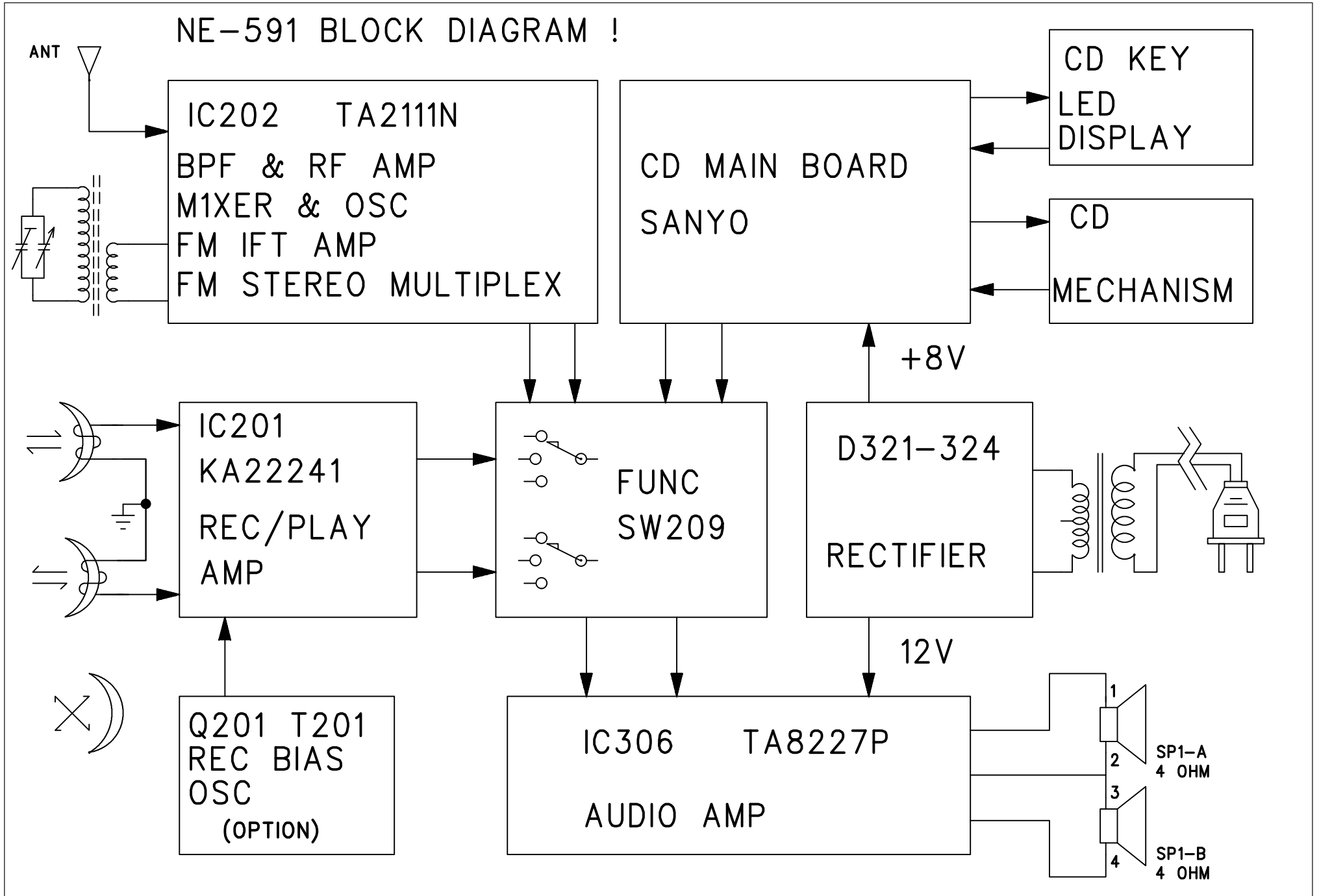
173-059108-01

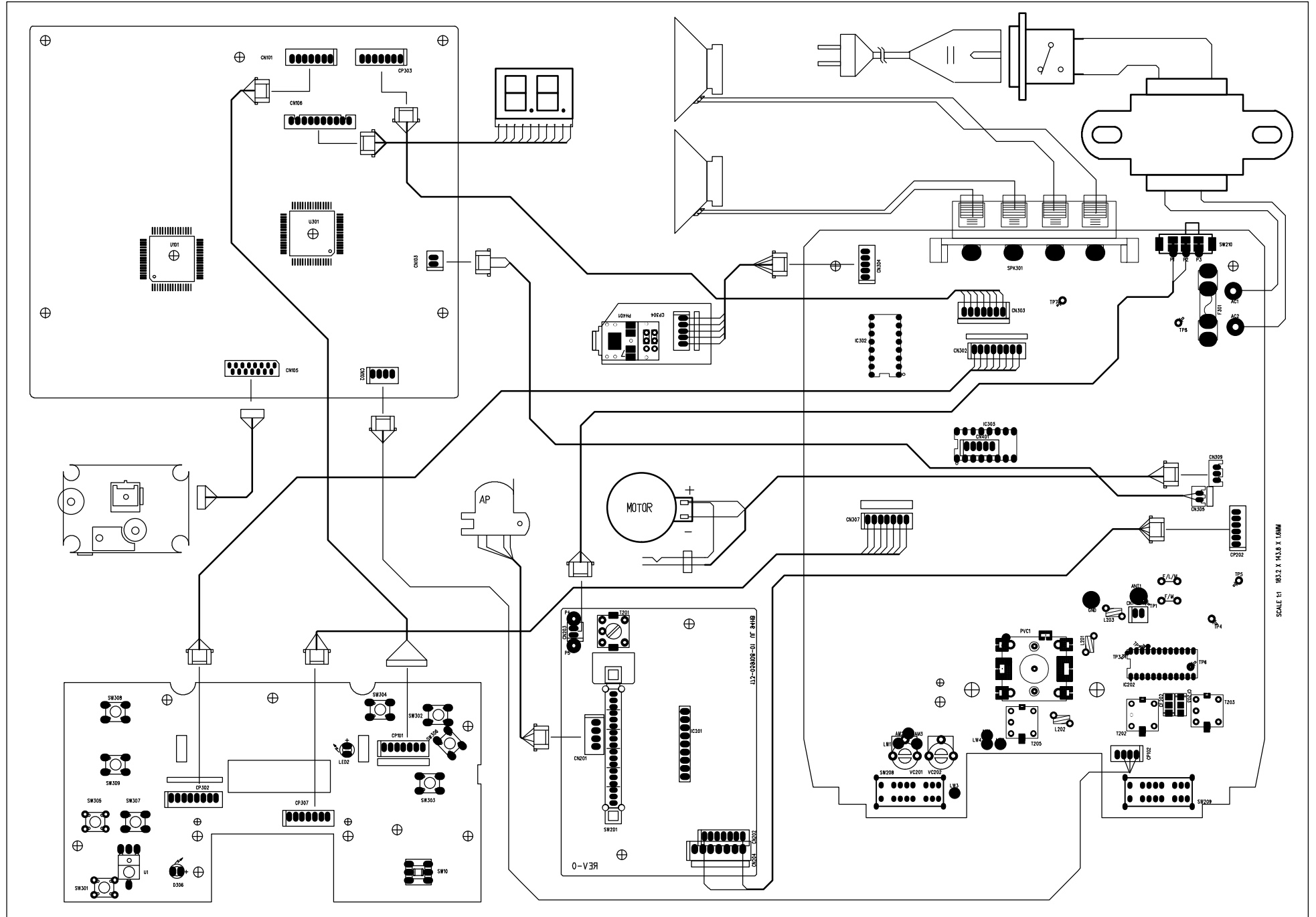
R230
 C227
 D206



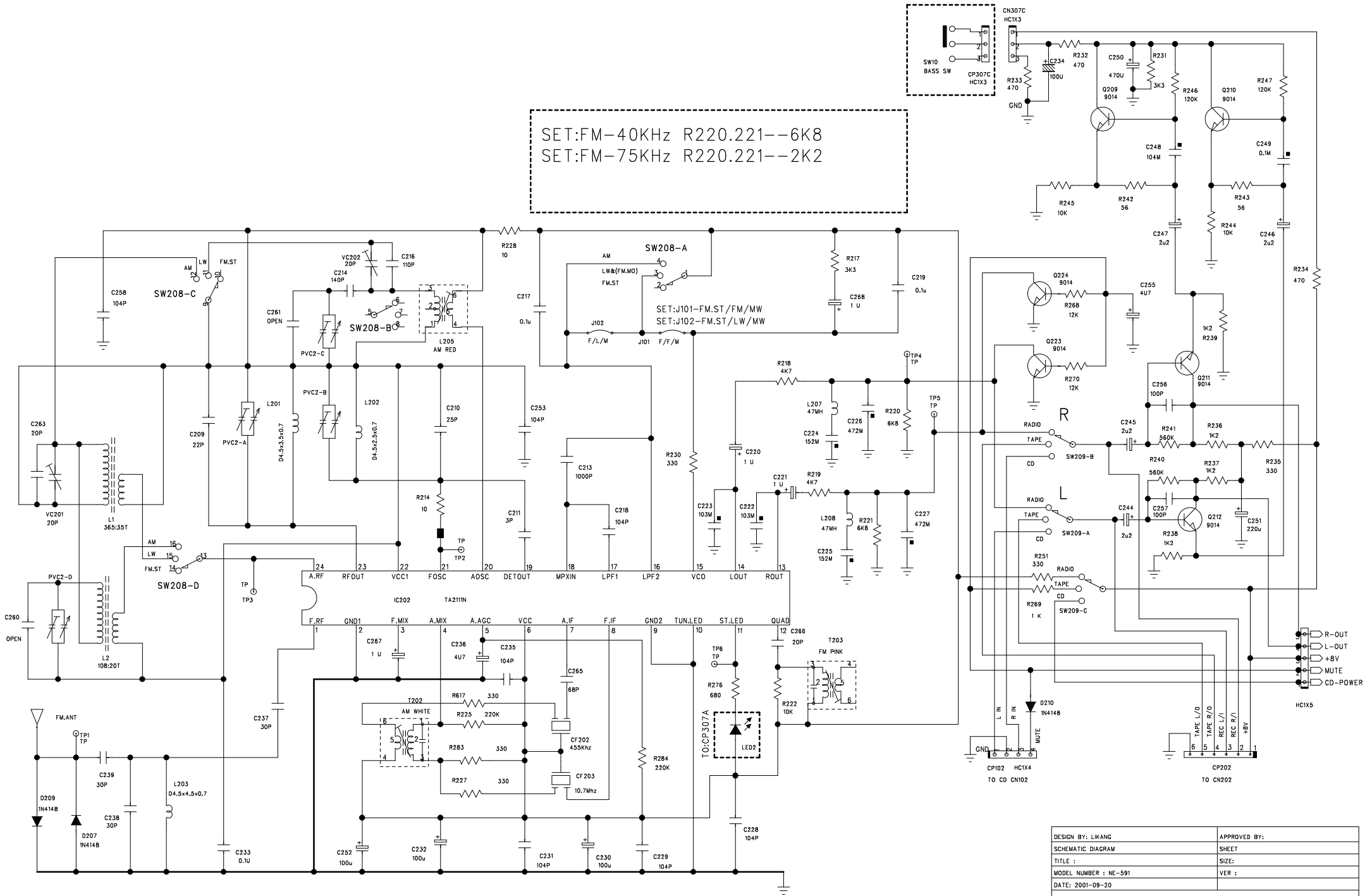
DESIGN BY :LIKANG
 SCHEMATIC DIAGRAM SHEET 1 OF 1
 TITLE :
 MODEL NUMBER :CASS-KA22241 A4
 DATE :2001-08-23 VER. : 1.0
 NELSON ELECTRONIC CO., LTD.

NE-591 BLOCK DIAGRAM !





SCALE 1:1 183.2 X 143.8 X 1.6MM



DESIGN BY: LIKANG	APPROVED BY:
SCHEMATIC DIAGRAM	SHEET:
TITLE :	SIZE:
MODEL NUMBER : NE-591	VER :
DATE: 2001-09-20	
NELSON ELECTRONIC CO., LTD	