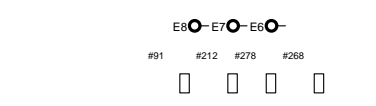


- 4] ADDED AS SECONDARY OPERATION.
- 2. ALL CAPACITORS IN MICROFARADS, EXCEPT AS NOTED.
- 1. ALL RESISTORS IN OHMS

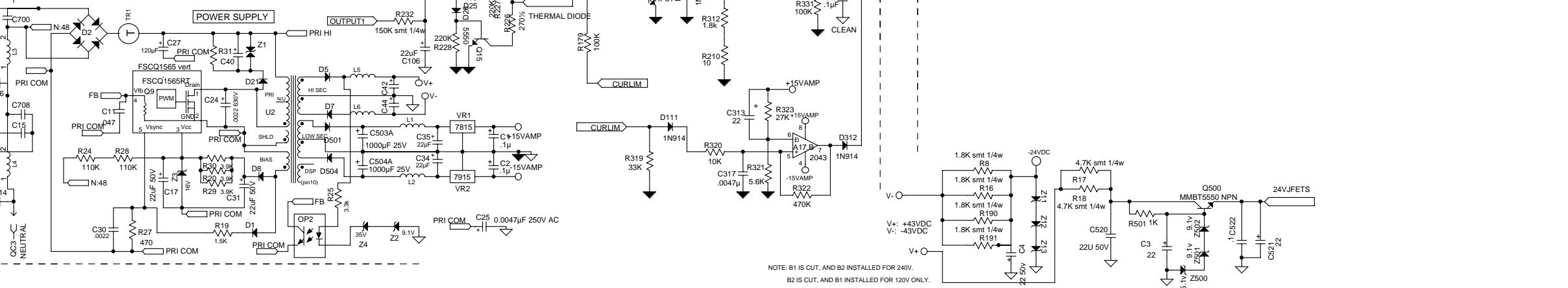
NOTES: UNLESS OTHERWISE SPECIFIED.

CARVIN		12340 World Trade Drive San Diego, CA 92128 (858) 487-1600 FAX 487-6629	
BX120 System Master			
DRAWN BY:	DATE:		
GEORGE DREYER	26SEPT05		
APPROVED:	DATE:		
PCB NO:	REV:		
30-42120	C		
ASSY. NO:	REV:		
80-42120	C		
REVISED BY:	DATE:		
GEORGE DREYER	14JULY06		

Changes from Assembly Rev (A).
Proto corrections: -15V via grounded, R257 grounded, Locational errors D11 moved up; added R11.



Screen Holes for Power Amp Devices



NOTE: B1 IS CUT, AND B2 INSTALLED FOR 240V.
B2 IS CUT, AND B1 INSTALLED FOR 120V ONLY.