

*CARVER*  
*AV-705X*  
*Schematics & parts list*

Indented Bills of Material (CVR

512-00008-01	SPACER,END,ELASTO,FILLER,3U	
530-20101-00	STICKER,3X5 BOX LABELS	
532-10002-00	BAG,4X6,PLASTIC	W/END FILLER
532-10020-01	BAG,28X42,PLASTIC	
532-20142-01	BOXES PKG,BOX,3U	
532-30076-01	FOAM PKG,FOAM,CORNER,3U	BREAK APART,1 EACH CORNER
- 607-00784-13	ASSY,FINAL AV-705X CLA	
101-30007-01	MOUNT,XFORMER,ISOLATION	XFMR MNTG
105-30007-01	FOOT,1.96DX.64H	FRONT
105-30009-01	FOOT,.937DX.625H,RUBBER	REAR
118-90007-00	STR REL,16/3X18/3,MCT .063 SJT	
151-10131-03	SCREW,SM,2.9X9.5MM,PP,BRIGHT	W/REAR PANEL
151-30169-01	SCREW,SEMS,6-32X1/4,BLK	
151-00057-00	SCREW, MACH, 6-32X1/4, SCKT, BLK	USE TO ATTACH BUG TO POWER CCA
154-20954-01	WSHR, EXT LOCK, #6	USE WITH ITEM 46
151-20103-00	SCREW, MACH, 8-32X1/2, PP, BLK	HANDLE SCREWS
159-20003-00	RIVET,5/32D 1/4L,POP	ALL FEET
154-10058-00	WSHR,#7,FLAT,ZINC	FRONT FEET
151-30107-01	SCREW,SM,6X1/4 "B",PP,SERR,BLK	FRONT AND BACK PANEL,HEATSINK REAR
151-30107-03	SCREW,SM 6X3/8"B",PP,SERR,BLK	MODULE
151-31057-00	SCREW,TDRL,6-32X3/8,FHP100D,BLK	
152-10004-00	NUT, LOCK, 10-32, ZINC	XFMR
159-50002-00	TYRAP,4"L,WHT	
159-50008-01	TIE,WIRE,15.93 LONG,NATURAL	
160-20500-05	FASTON,16-14GA,.187,BLU	W/LINECORD
318-20006-01	SW,ROCKER,DPST,16A,FASTON	
401-90023-01	LC,16/2,PLZD-CSA/JUL APRD	
403-10020-00	LOCTITE #222	XFMR MNTG
403-20010-01	LACQUER,INSECTION ORANGE	W/R27 TOP CENTER OF EACH 5 MODS
403-40030-02	TAPE D BCK 1/4" SCOTCH 976 2ML	REF LED PCB'S
502-00081-01	CHASSIS	
503-00092-01	PANEL,FRONT	
503-00093-01	PANEL,BACK	
504-00066-01	COVER	
507-00006-01	BRACKET,HANDLE	
509-20009-01	FERRULE,.275DIA,ABS,BLACK	
510-20017-02	HNDL,.945H,.275D,3.5W	
530-20029-00	LABEL,CITY OF LA APPROVED	
530-10146-00	LABEL,FUSE WARNING	
530-20100-00	STICKER,SERIAL # BLANKS	ONE INSIDE,ONE OUTSIDE
550-00072-01	CBL,16AWG,W/FASTON,BROWN	
550-00072-02	CBL,16AWG,W/FASTON,BLUE	
- 602-00693-01	PCB ASSY,POWER BOARD	INCLUDES LED CCA
501-00693-02	PCB,POWER DIST W/DISPLAY	PCB, POWER DIST W/DISPLAY
105-40018-01	CLIP, FUSE,PCB,2AG	
115-60000-00	CONN,.250 QD TAB,PCB	J9-J19
119-20037-01	TERM,PC MOUNT	
151-20106-00	SCREW, MACH, 8-32X3/4, PP, BLK	
152-10003-00	NUT,LOCK,8X11/32,ZC	
160-40006-10	RCPT, 10PIN, .156 CTR	J1,2,3,4,5
160-40007-03	CONN,ZIF,.098,3 POS	J6,7,8
201-00034-02	CAP,.01UF,500V,20%,CER	C4,5,6,7
201-00035-00	CAP,.01UF,250VAC,UL/CSA,CER	C1
205-00009-02	CAP,4.7UF,100V,20%,LYTIC,RAD	C10
205-00217-00	CAP,25000UF,75V,SCW MNT,LYTIC	C8,9
207-10003-00	CAP,.1UF,250V,20%,MPOLY	C2,3
- 263-50103-18A	RES,10K,5%,2W,MO,AX,SM	R4,5
263-50103-18G	RES MO FP 5% 10K 2W .8 AX SM	

Indented Bills of Material (CVR

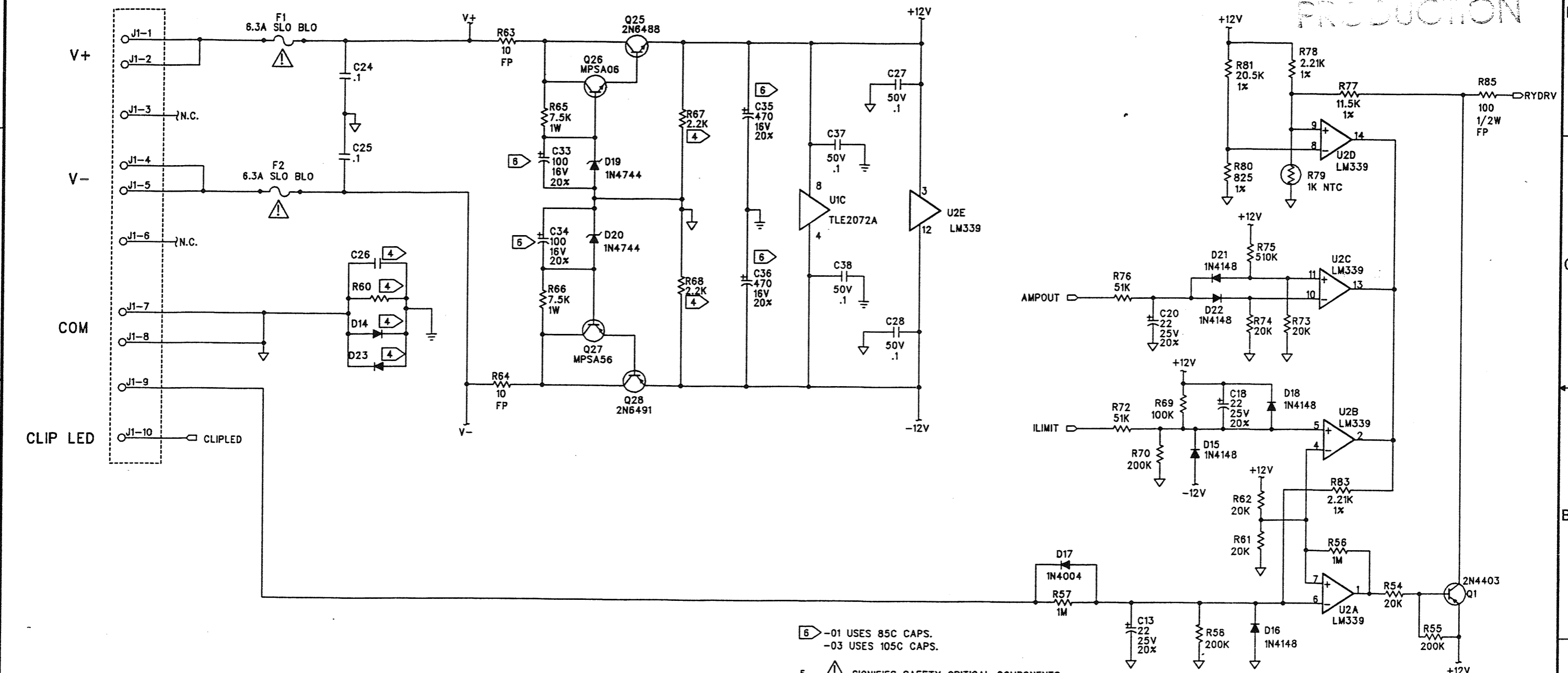
266-50107-04A	RES,1 OHM,5%,1/4W,FUSIBLE	R2,3
315-16007-01	FUSE,METRIC,12.5A, SLOW BLOW	
319-00065-01	BR.RECT,25A,400V	D1
320-20004-00	DIODE,1N4004,400V	D2,3
320-40004-00	LED,GREEN,HIGH EFFICIENCY	D9
320-40014-01	LED,RED,HIGH EFFICIENCY,3MM	D4,5,6,7,8
511-00026-01	HTSK,BRIDGE	
551-00001-01	CABLE,3 COND,RIBBON	FROM:J20/J7,J21/J8,J22/J6
- 603-00001-01	ASSY AMP MODULE AV-705X	
151-20182-06	SCREW,MACH,4-40X3/8,W/WSHR	XISTOR MTG
151-31058-03	SCREW, THD, RLD PP, 6-32X1/2, ZN	PCB MTG
154-40013-01	WSHR,#4,SHLDR,.252X.093,NYL	Q25,28 MTG
321-30013-00	TR,2SC3281-0,TO3P(L) NPN PWR	Q16,18
321-30014-00	TR,2SA1302-0,TO3P(L) PNP PWR	Q17,19
321-60004-00	TR,2N6488,TO220 NPN	Q25
321-60006-00	TR,2N6491,TO220 PNP	Q28
321-60035-01	TR,TO220,2SA1837,PNP	Q15
321-60036-01	TR,TO220,2SC4793,NPN	Q14
321-90001-00	XISTOR,2SC3423-Y,B100,NPN	Q8
403-20001-00	THERMALCOTE,#2502OZ	R79
508-00044-01	SHAFT,TRIM POT	R71
511-00027-01	HEATSINK	
512-10660-01	SIL PAD	
- 602-00692-01	CCA AMP AV-705X	
501-00692-01	PCB,AMPLIFIER	
105-40018-01	CLIP, FUSE,PCB,2AG	F1,2
109-10037-01	JACK, PHONE, RT ANG	J2
115-30020-01	POST,BINDING,DUAL,RT ANG.	J3
118-61011-03	SPACER,.25OD X .14ID,SNK .250L	
160-30076-10	HEADER,10 PIN, .156 CTR RA	J1
201-00005-00	CAP,27PF,1000V,10%,CER	C16
201-00009-00	CAP,68PF,1000V,10%,CER	C7,9
201-00013-00	CAP,120PF,1000V,10%,CER	C1,12
201-00023-00	CAP,470PF,1000V,10%,CER	C4,5
201-00034-02	CAP,.01UF,500V,20%,CER	C39
204-00015-00	CAP,.01UF,100V,10%,POLY,RAD	C22,23
204-00027-00	CAP,.1 UF,100V,10%,PLYFLM	C24,25
204-00146-00	CAP,.1UF,50V,5%,MTL FLM	C2,27,28,30,37,38
204-00157-00	CAP,1 UF,50V,5%,MTL FLM	C3
205-00011-02	CAP,22UF,25V,20%,LYTIC,RAD	C11,13,18,20
205-00021-00	CAP,470UF,16V,20%,LYTIC,RAD	C35,36
205-00035-02	CAP,100UF,16V,20%,LYTIC,RAD	C33,34
207-10003-00	CAP,.1UF,250V,20%,MPOLY	C17
256-30001-01	THERMISTOR,1000 OHM, 1/2W, 5%,NTC	R79
259-20035-01	POT,TRIM,50K,VERT MNT	R71
259-30007-01	POT,1K,RIGHT ANGLE MINI	R27
260-50101-04A	RES,100 OHM,5%,1/4W,CF	R9,18,59,82
260-50104-04A	RES,100K,5%,1/4W,CF	R23,24,69
260-50105-04A	RES,1M,5%,1/4W,CF	R56,57
260-50203-04A	RES,20K,5%,1/4W,CF	R28,54,61,62,73,74
260-50204-04A	RES,200K,5%,1/4W,CF	R55,58,70
260-50225-04A	RES,2.2M,5%,1/4W,CF	R3,4
260-50330-04A	RES,33 OHM,5%,1/4W,CF	R29
260-50332-05A	RES,3.3K,5%,1/2W,CF	R30,31
260-50392-04A	RES,3.9K,5%,1/4W,CF	R25
260-50471-04A	RES,470 OHM,5%,1/4W,CF	R53
260-50513-04A	RES,51K,5%,1/4W,CF	R72,76
260-50514-04A	RES,510K,5%,1/4W,CF	R75

Indented Bills of Material (CVR

260-50681-04A	RES, CF 5% 680 OHM 1/4 W	IN SERIES W/D6,7
- 263-50752-07A	RES,7.5K,1W,MO	REPLACES 263-50752-17F
263-50752-07F	RES,7.5K,5%,1W,MF,.7	
262-31001-04A	RES,1K,1%,1/4W,MF	R1,5,21,26
262-31152-04A	RES,11.5K,1%,1/4W,MF	R77
262-31820-04A	RES,182OHM,1%,1/4W,MF	R11,12,15,16
262-32001-04A	RES,2.0K,1%,1/4W,MF	R49,52
262-32003-04A	RES,200K,1%,1/4W,MF	R50,51,84
262-32211-04A	RES,2.21K,1%,1/4W,MF	R78,83
262-32052-04A	RES,20.5K,1%,1/4W,MF	R81
262-35762-04A	RES,57.6K,1%,1/4W,MF	R46,48
262-37151-04A	RES,7.15K,1%,1/4W,MF	R13,14
262-38250-04A	RES,825 OHM,1%,1/4W,MF	R80
- 264-50228-0BA	RES,.22OHM,5%,5W,WW AX	R40,41,44,45
264-50228-0BI	RES,.22 OHM,5%,5W,WW.1.0,AX	
- 264-50277-08A	RES,2.7OHM,5%,2W,WW	R47
264-50277-08G	RES,2.7 OHM,5%,2W,WW, 8	
266-50107-04A	RES,1 OHM,5%,1/4W,FUSIBLE	R63,64
266-50101-04A	RES,100 OHM,5%,1/4W,FUSIBLE	R32,33,36,37
266-50101-05A	RES,100 OHM,5%,1/2W,FUSIBLE	R35,85
266-50102-04A	RES,1K,5%,1/4W,FUSIBLE	R34
266-50152-04A	RES,1.5K,5%,1/4W,FUSIBLE	R7,17
266-50301-04A	RES,300 OHM,5%,1/4W,FUSIBLE	R10,19
315-16001-00	FUSE,6.3A,TIME LAG	F1,2
320-20001-00	DIODE,1N4148,75V	D3,4,13,15,16,18,21,22,24
320-20004-00	DIODE,1N4004,400V	D10,11,12,17
320-20006-00	DIODE,1N3070,175V	D5,6,7,8,9
320-30002-00	DIODE,ZENER,1N4744A,15V,UNPRP	D19,20
321-40011-00	TR,TO92,MPSA06,NPN,SM,SG	Q10,26
321-40012-00	TR,TO92,MPSA56,PNP,SM,SG	Q11,27
321-40029-01	XISTOR,TO92 PNP,SM SG,L.N 120V	Q5,6
321-40030-01	XISTOR,TO92 NPN,SM SG,L.N 120V	Q2,3
321-40025-01	TR,TO92,2N4403,PNP,SM,SG	Q1,9
321-90000-00	TR,B100,2SA1360-Y,PNP,PWR	Q4,13
321-90001-00	XISTOR,2SC3423-Y,B100,NPN	Q7,12
330-30009-00	IC,LMT339N,QUAD COMPARATOR	U2
330-30080-01	IC,TLE 2072ACP,OP AMP,DUAL	
401-20003-00	WIRE,BUSS,22GA,SPOOL	W1,2.R22
402-00020-00	SLV,18GA,BLK,.6"	W/R79
617-20002-01	RELAY,24V,20A,SPST-NO	RL1
617-10129-01	XFMR,5X100W	
990-00029-00	CARD,LIMITED WARR	
990-00031-00	HOME,WARR REGISTRATION	
990-20220-00	MANUAL,OWNERS,AV-705X	

605-00692-XX		REV 1	REV F
REVISIONS			
ZONE	REV	DESCRIPTION	DATE
A		PRODUCTION RELEASE	
B	INC ECO 4141		5/1/98
C	INC ECO 4152		5/14/98
D	INC ECO 4222		9/18/97
E	INC ECO 5077		9/18/97
F	INC ECO 5092		10/9/97

PRODUCTION



- ⑥ -01 USES 85C CAPS.  
-03 USES 105C CAPS.
  - 5. ⚠ SIGNIFIES SAFETY CRITICAL COMPONENTS. REFER TO THE SAFETY INFORMATION SECTION OF THE SERVICE MANUAL FOR COMPLETE INFORMATION.
  - ④ COMPONENTS NOT INSTALLED: C10, C14, C15, C21, C26, C29, D1, D2, D14, D23, R2, R6, R8, R20, R60, R67, R68, AND W2.
  - 3. ⚠ ABBREVIATION: FLAME PROOF = FP. ALL FP DESIGNATED PARTS ARE SAFETY CRITICAL REFER TO NOTE 5.
  - 2. ALL CAPACITORS ARE IN MICROFARADS, 10%, 100V, (DEFAULT VOLTAGE).
  - 1. ALL RESISTORS ARE IN OHMS, 1/4W, 5%
- NOTES: UNLESS OTHERWISE SPECIFIED.

-01 = AV-705X  
-03 = AV-705X CE

APPROVALS		DATE	CARVER
DRAWN	M. HOLLAND	5/31/95	
CHECKED			TITLE
ELC	B. AASE		SCHMATIC, AMPLIFIER
ISSUED			
AV-705x			SIZE D
USED ON			SCALE NONE
			DWG NO. 605-00692-XX
			REV F
			SHEET 1 OF 2

8

7

6

5

4

3

1

8

7

6

5

4

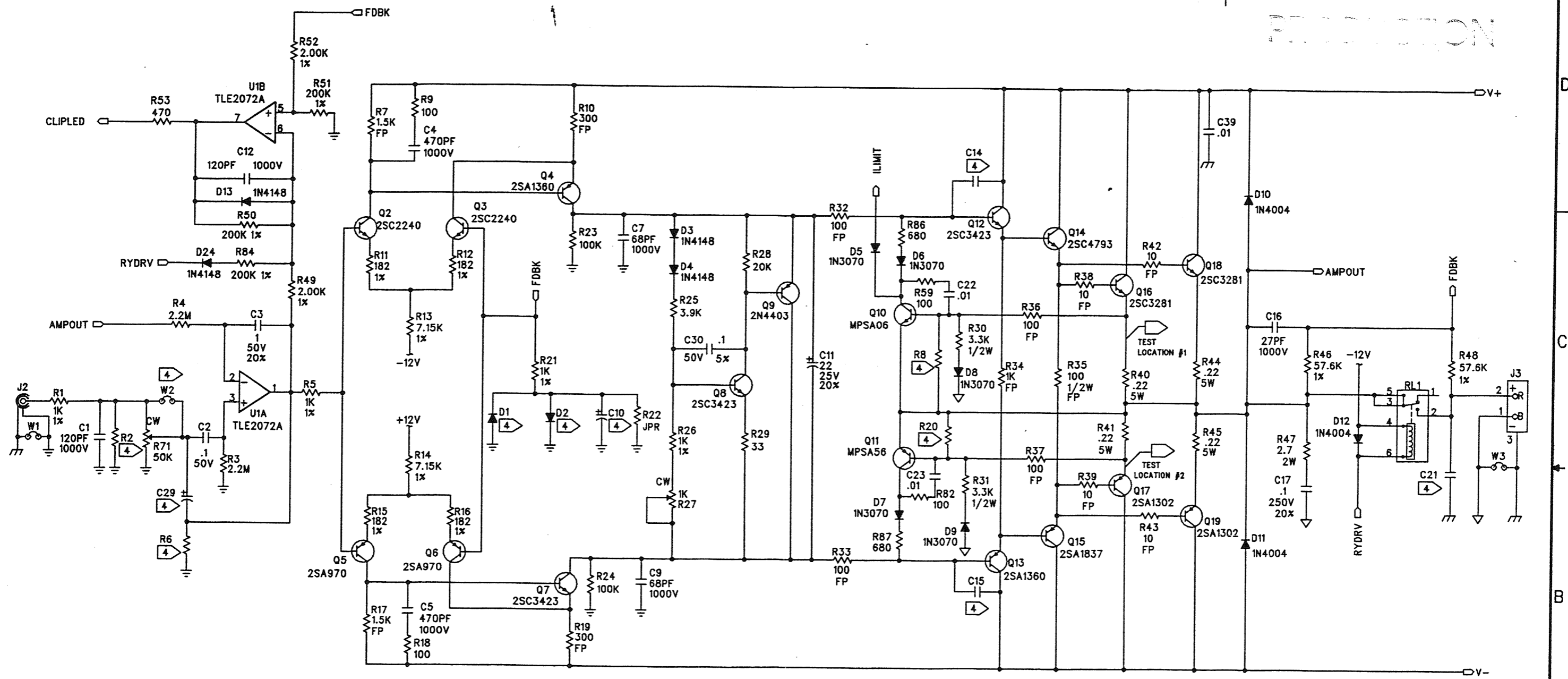
3

2

1

Dwg No. 605-00692-XX		REV 2	REV F	1
REVISIONS				
ZONE	REV	DESCRIPTION	DATE	APPROVED
SEE SHEET 1				

REVISION



**CARVER**

SIZE D	DWG NO. 605-00692-XX	REV F
SCALE NONE	SHEET 2	