

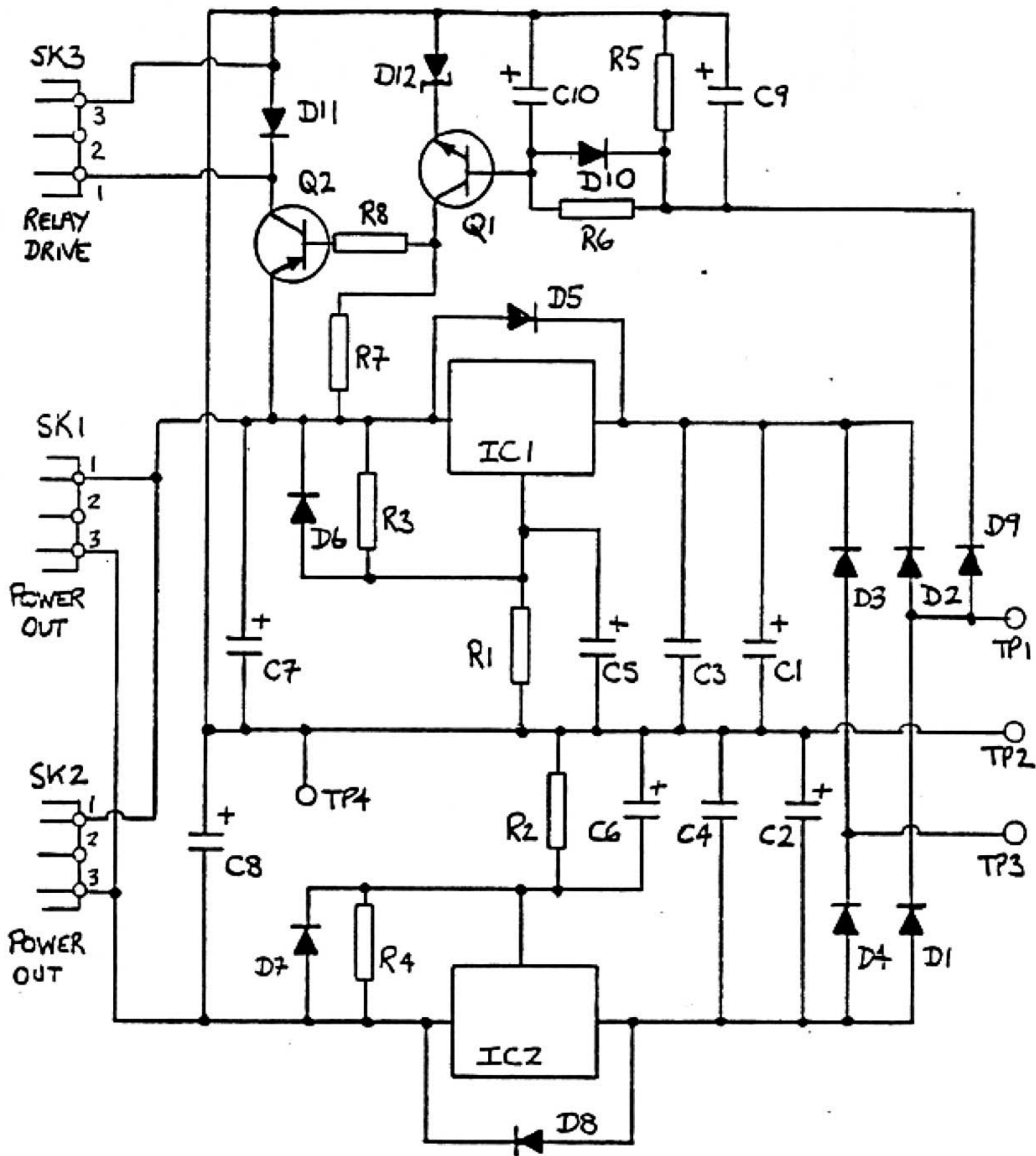
RIGHT HAND CHANNEL CIRCUIT IS IDENTICAL TO THE LEFT (SHOWN)  
 RIGHT HAND CHANNEL COMPONENT NUMBERS ADD 100 EG R101 (R1)

119057 TONE AMPLIFIER.

TO 119064  
SK10 (C70)  
←  
TO 119065  
SK9 (C100)

TO 119064  
SK8 (C70)  
←  
TO 119065  
SK7 (C100)

TO 119057  
SK2 (C70)  
←  
TO 119063  
SK4 (C100)



119061 POWER SUPPLY BOARD

