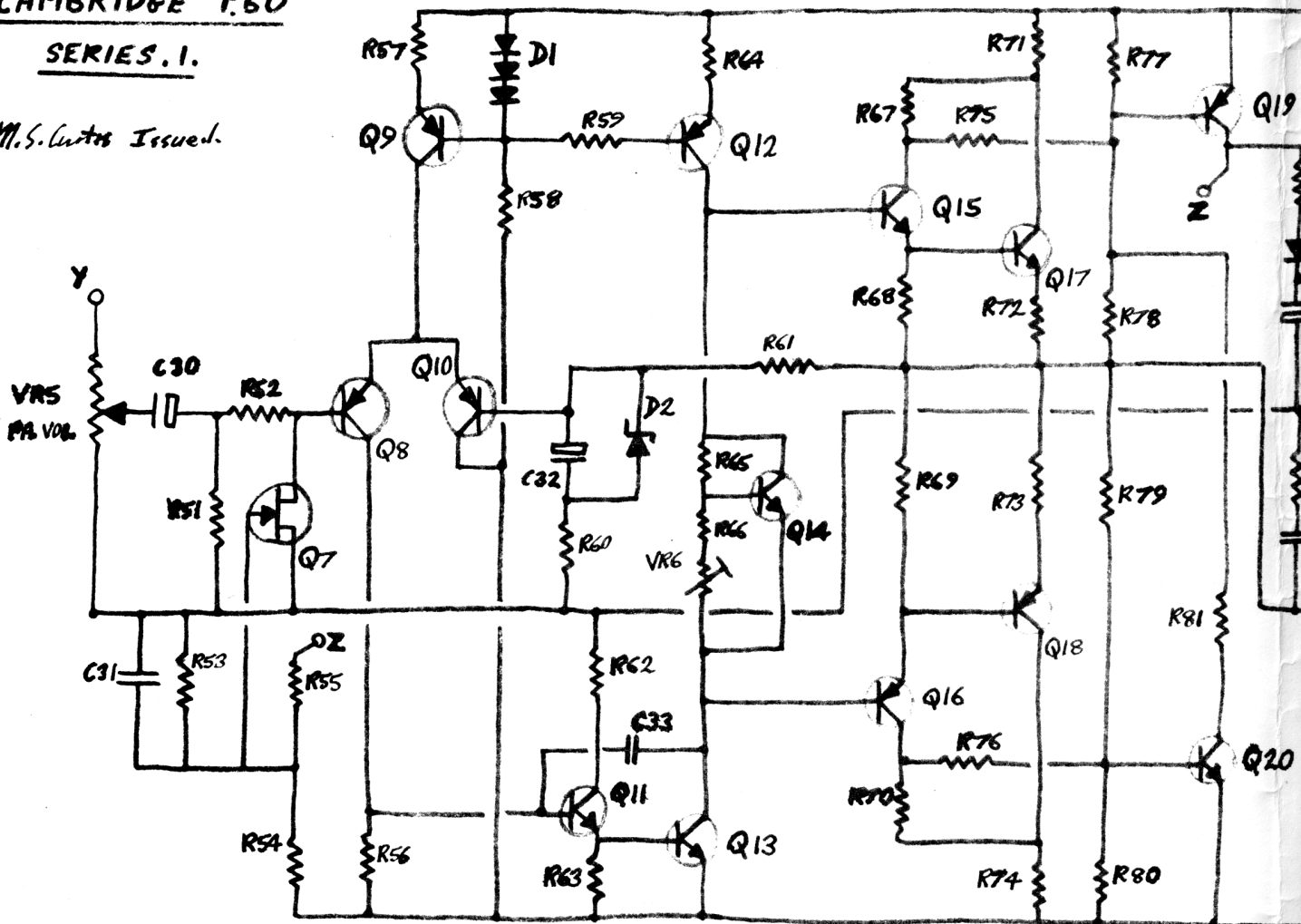


CAMBRIDGE P.60

SERIES. 1.

M.S. Circuits Issued.



* C46 MAY BE FITTED ACROSS T1 SECONDARY.