

FROM PREAMP

INTEGRATED / PRE-POWER  
MODE SELECT SWITCH  
FIT SK103 ON PCB TO LINE UP WITH SILK SCREEN

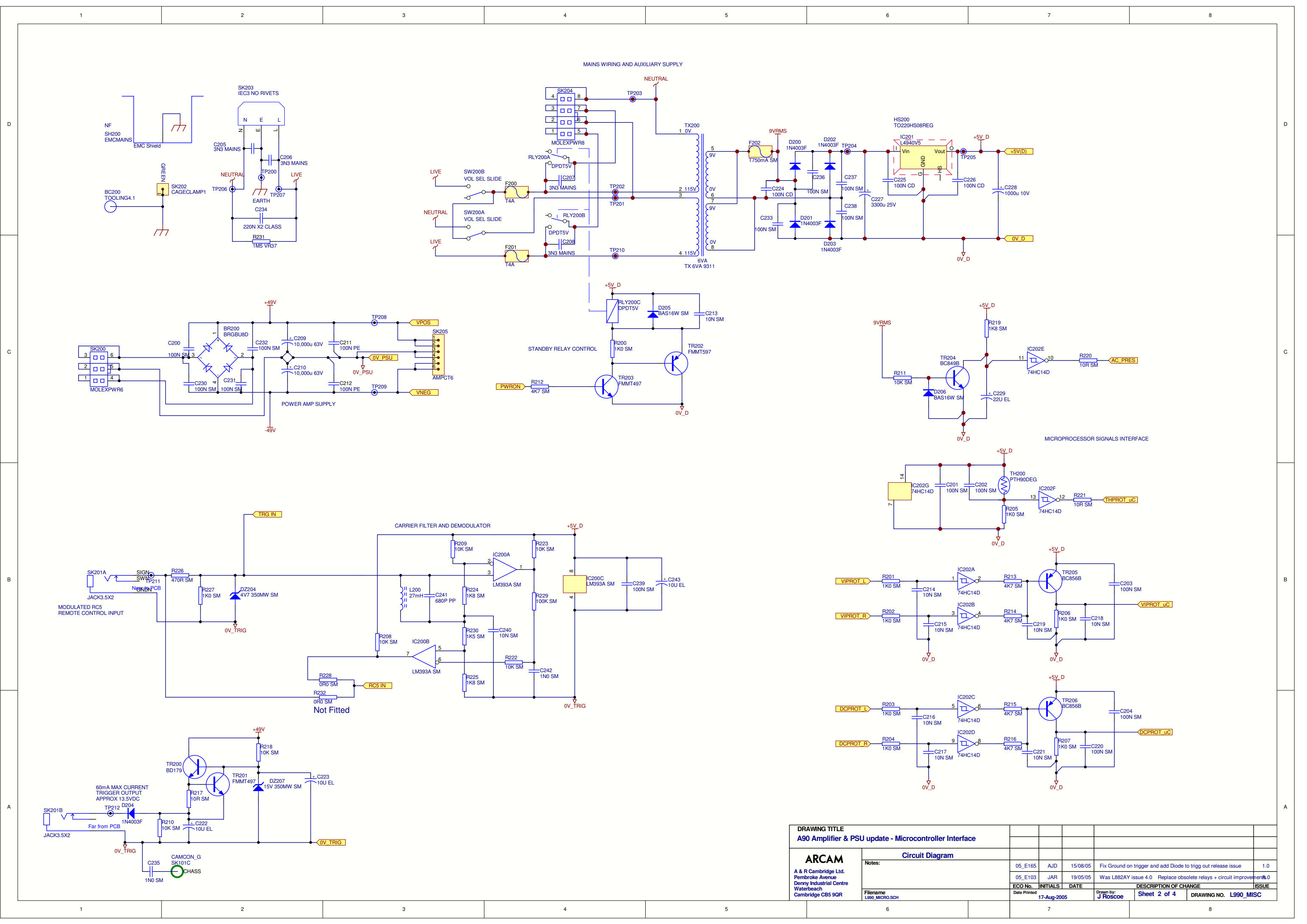
AC PRESENT This line is active High  
Relay RLY102 is on (allowing signal to headphones)  
only when ACpresent is low & notSTANDBY is high.  
notSTANDBY is the same as PWRON

HEADPHONE SNAP OFF

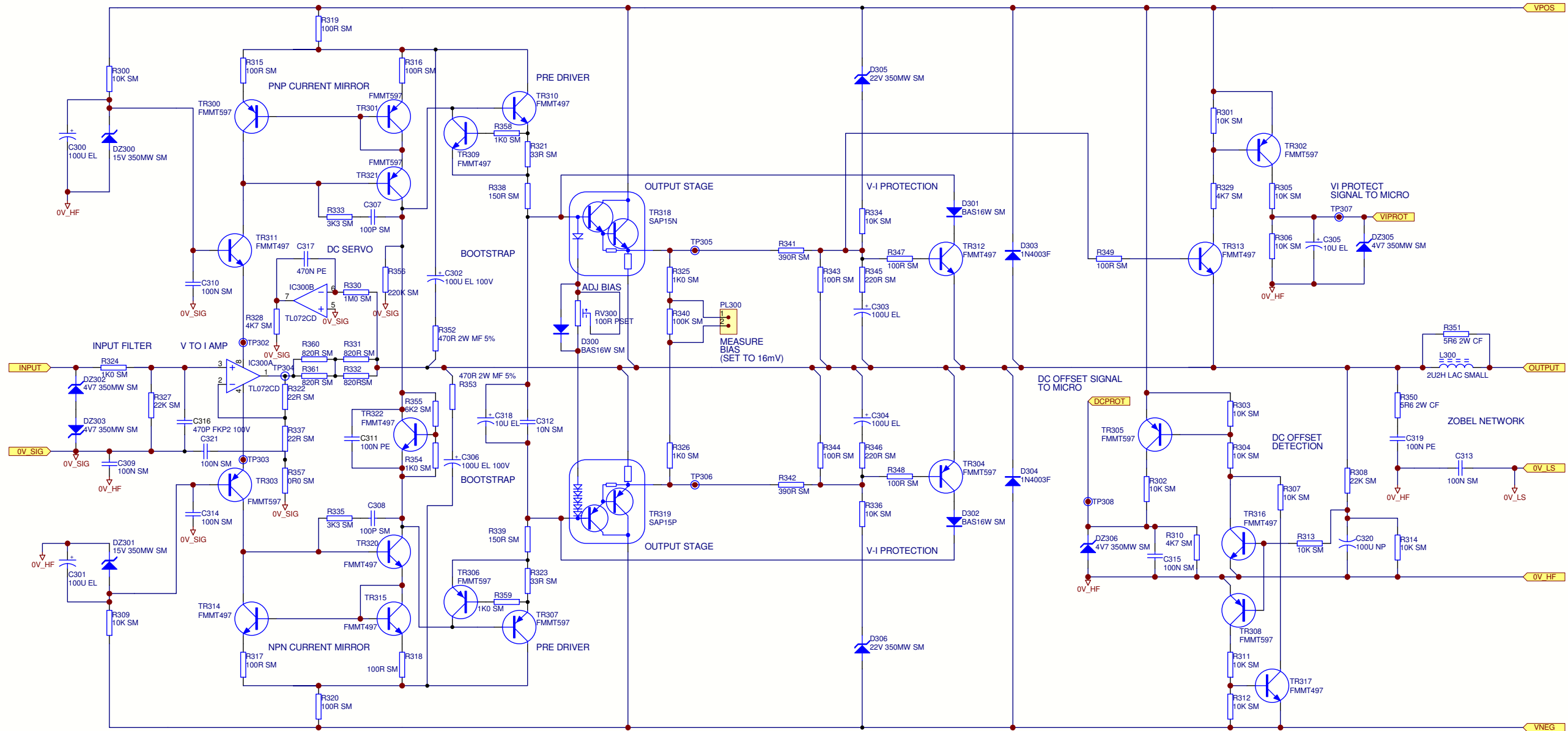
PCB  
L990PB\_1  
EL  
EARTH LEAD  
8M101  
EARTH LEAD

- DP100  
15mm x 6mm x 3mm  
DAMPING PAD  
E802AP  
15X6X3\_DAMPING\_PAD  
ON SIDE OF C209
  - DP101  
15mm x 6mm x 3mm  
DAMPING PAD  
E802AP  
15X6X3\_DAMPING\_PAD  
ON SIDE OF C210
  - DP102  
15mm x 6mm x 3mm  
DAMPING PAD  
E802AP  
15X6X3\_DAMPING\_PAD  
ON SIDE OF RLY100
  - DP103  
15mm x 6mm x 3mm  
DAMPING PAD  
E802AP  
15X6X3\_DAMPING\_PAD  
ON SIDE OF RLY101
- SEE ECO 02\_E313

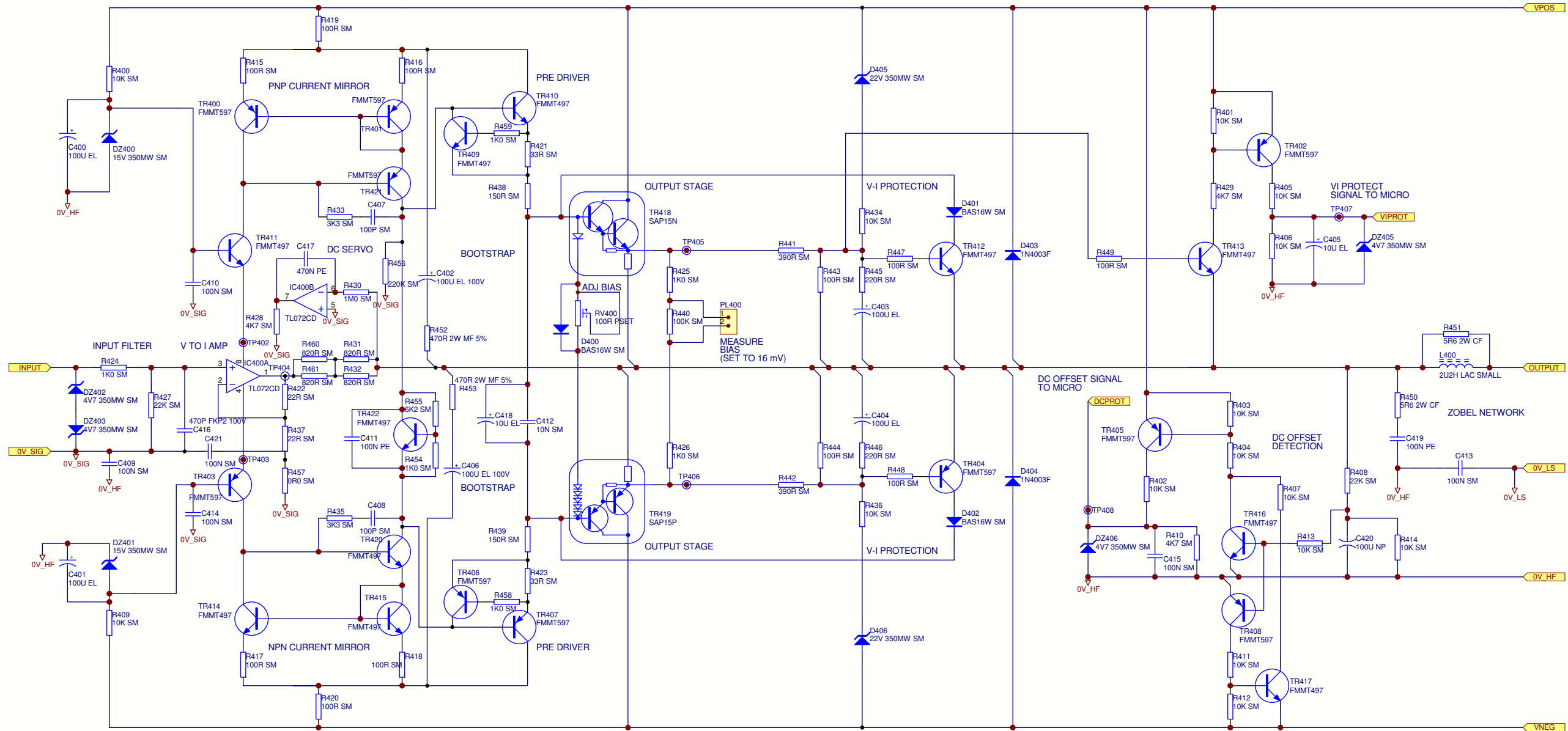
DRAWING TITLE							
A90 Amplifier and PSU update - Top Sheet							
<b>ARCAM</b> A & R Cambridge Ltd. Pembroke Avenue Denny Industrial Centre Waterbeach Cambridge CB5 9QR	Circuit Diagram		05_E165	AJD	15/08/05	Fix Headphone mute circuit.	1.1
	Notes:		05_E165	AJD	15/08/05	Fix Ground on trigger and add Diode to trigg out release issue	1.0
		05_E103	JAR	19/05/05	Was L882AY issue 4.0 Replace obsolete relays + circuit improvements	A.0	
		ECO No.	INITIALS	DATE	DESCRIPTION OF CHANGE		ISSUE
Filename L990_TOP.PRJ		Date Printed		17-Aug-2005	Drawn by: J Roscoe	Sheet 1 of 4	DRAWING NO. L990_TOP



DRAWING TITLE							
A90 Amplifier & PSU update - Microcontroller Interface							
<b>ARCAM</b>		<b>Circuit Diagram</b>					
A & R Cambridge Ltd. Pembroke Avenue Denny Industrial Centre Waterbeach Cambridge CB5 9QR		Notes:		05_E165 AJD 15/08/05		Fix Ground on trigger and add Diode to trigg out release issue 1.0	
				05_E103 JAR 19/05/05		Was L882AY issue 4.0 Replace obsolete relays + circuit improvements 0	
Filename: L990_MICRO.SCH		Date Printed: 17-Aug-2005		Drawn by: J Roscoe		DESCRIPTION OF CHANGE	
				Sheet 2 of 4		ISSUE	
				DRAWING NO. L990_MISC			



<b>DRAWING TITLE</b> A90 Amplifier update - Power Output Stage Left					
<b>ARCAM</b> A & R Cambridge Ltd. Pembroke Avenue Denny Industrial Centre Waterbeach Cambridge CB5 9QR					
<b>Circuit Diagram</b>					
<b>Notes:</b>		05_E165	AJD	15/08/05	Fix Ground on trigger and add Diode to trigg out release issue
		05_E103	JAR	19/05/05	Was L882AY issue 4.0 Replace obsolete relays + circuit improvements
<b>ECO No.</b>	<b>INITIALS</b>	<b>DATE</b>	<b>DESCRIPTION OF CHANGE</b>		<b>ISSUE</b>
		17-Aug-2005	Drawn by: J Roscoe Sheet 3 of 4		DRAWING NO. L990_PA_L



<b>DRAWING TITLE</b> A90 Amplifier update - Power Output Stage Right					
<b>ARCAM</b>					
A & R Cambridge Ltd. Pembroke Avenue Denny Industrial Centre Waterbeach Cambridge CB5 9QR					
<b>Circuit Diagram</b>					
Notes:		05_E165	AJD	15/08/05	Fix Ground on trigger and add Diode to trigg out release issue
		05_E103	JAR	19/05/05	Was L882AY issue 4.0 Replace obsolete relays + circuit improvement
Filename L990_PA_R.SCH		Date Printed 17-Aug-2005		Drawn by: J Roscoe	
		DESCRIPTION OF CHANGE		ISSUE	
		Sheet 4 of 4		DRAWING NO. L990_PA_R	