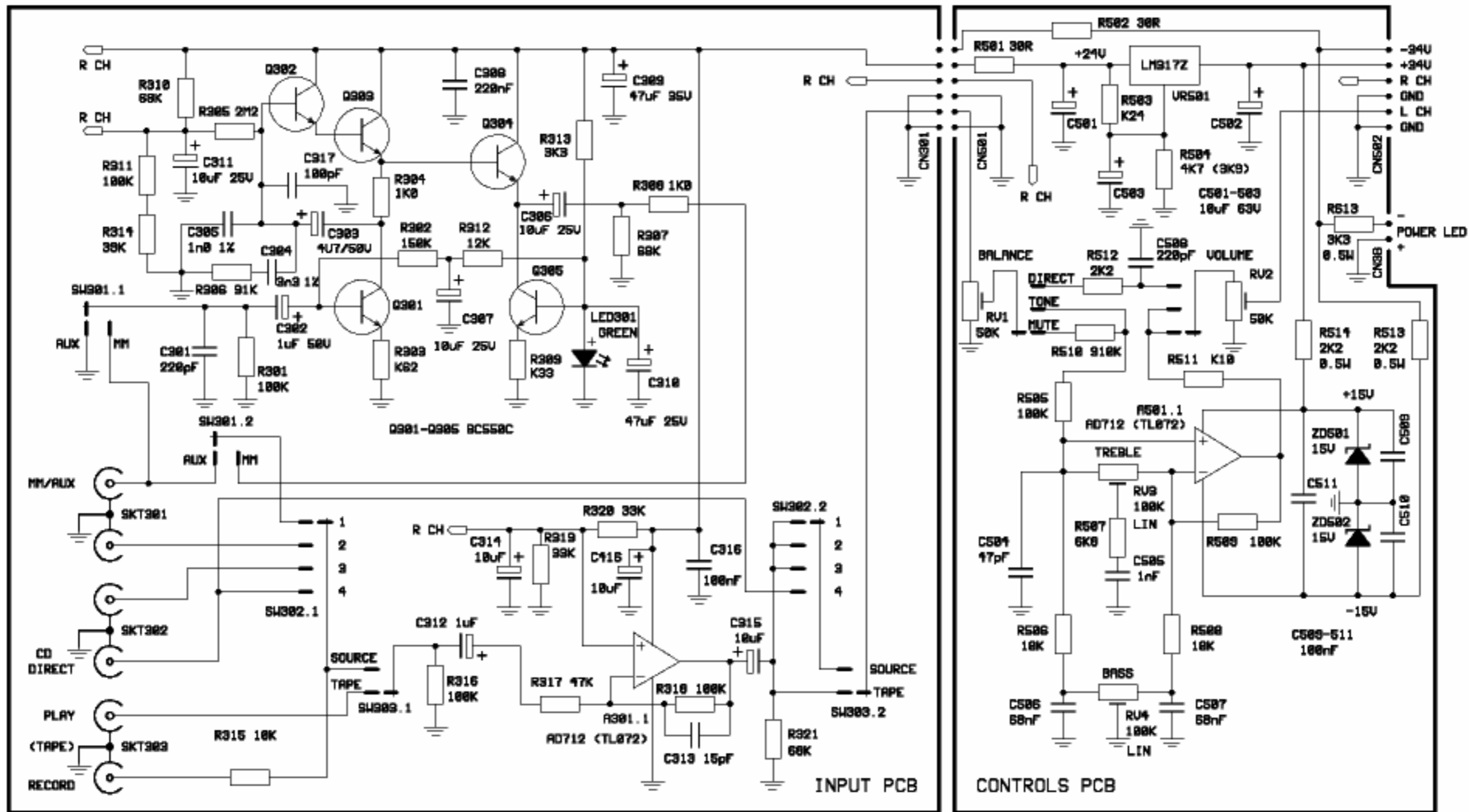


# SCHEMATIC DIAGRAM OF A3 (A2) AMPLIFIER V1 INPUT SWITCHING AND MM STAGE



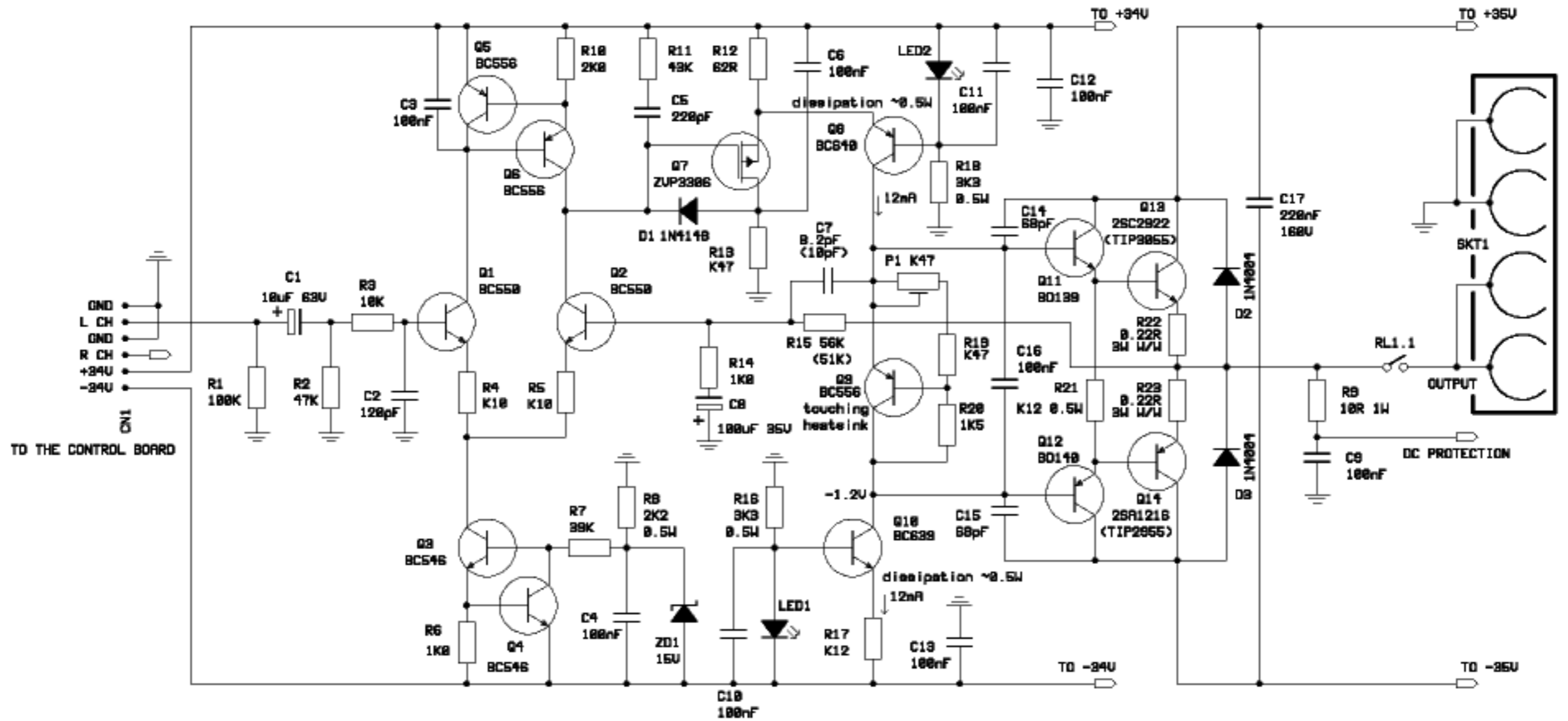
REVISION 1.02 14.07.97

© M. CREEK1996  
CAMBRIDGE AUDIO PLC  
LONDON  
ENGLAND

COMPONENTS SHOWN FOR THE LEFT CHANNEL ONLY  
FOR THE RIGHT CHANNEL NUMBERS ADD 100

Increased VA rating on R513, R514, R613

# SCHEMATIC DIAGRAM OF A3 (A2) AMPLIFIER POWER AMPLIFIER SECTION



LEFT HAND CHANNEL ONLY  
FOR THE RIGHT HAND CHANNEL ADD 180

# SCHEMATIC DIAGRAM OF A3 (A2) AMPLIFIER V1 PROTECTION AND POWER SUPPLY

