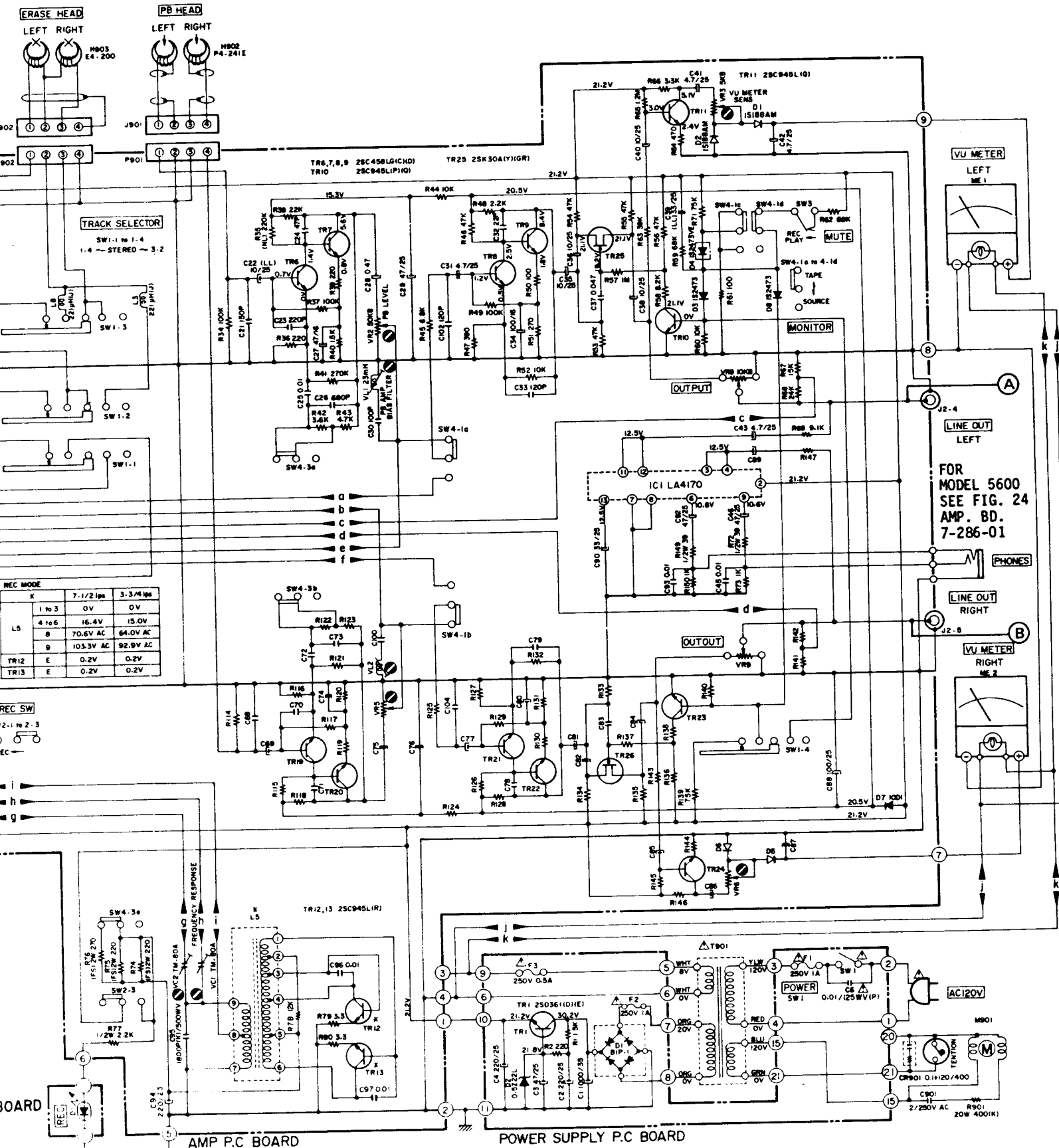


WARNING ⚠ INDICATES SAFETY CRIT  
 REPLACE SAFETY CRITIC  
 RECOMMENDED PARTS

AVERTISSEMENT ⚠ IL INDIQUE LES CO  
 MAINTENIR LE DEGRÉ DE  
 COMPOSANTS DONT LE FO  
 QUI PAR DES PIÈCES RE

FIG. 25 MODEL 5600



**NOTE**

- 1 UNLESS OTHERWISE SPECIFIED ALL RESISTORS IN OHMS (1/4W(U)) ALL CAPACITORS IN  $\mu$ F (50MV(U))
- 2 (LL)=LOW LEAKAGE CAPACITORS
- 3 (NL)=NOISE LESS RESISTORS
- 4 [ ] MARKED PART (R13, R93, D4) ARE LOCATED ON SW. P.C. BOARD

**SCHEMATIC FOR CALIFONIA MODELS 5600/928TR TAPE RECORDER**