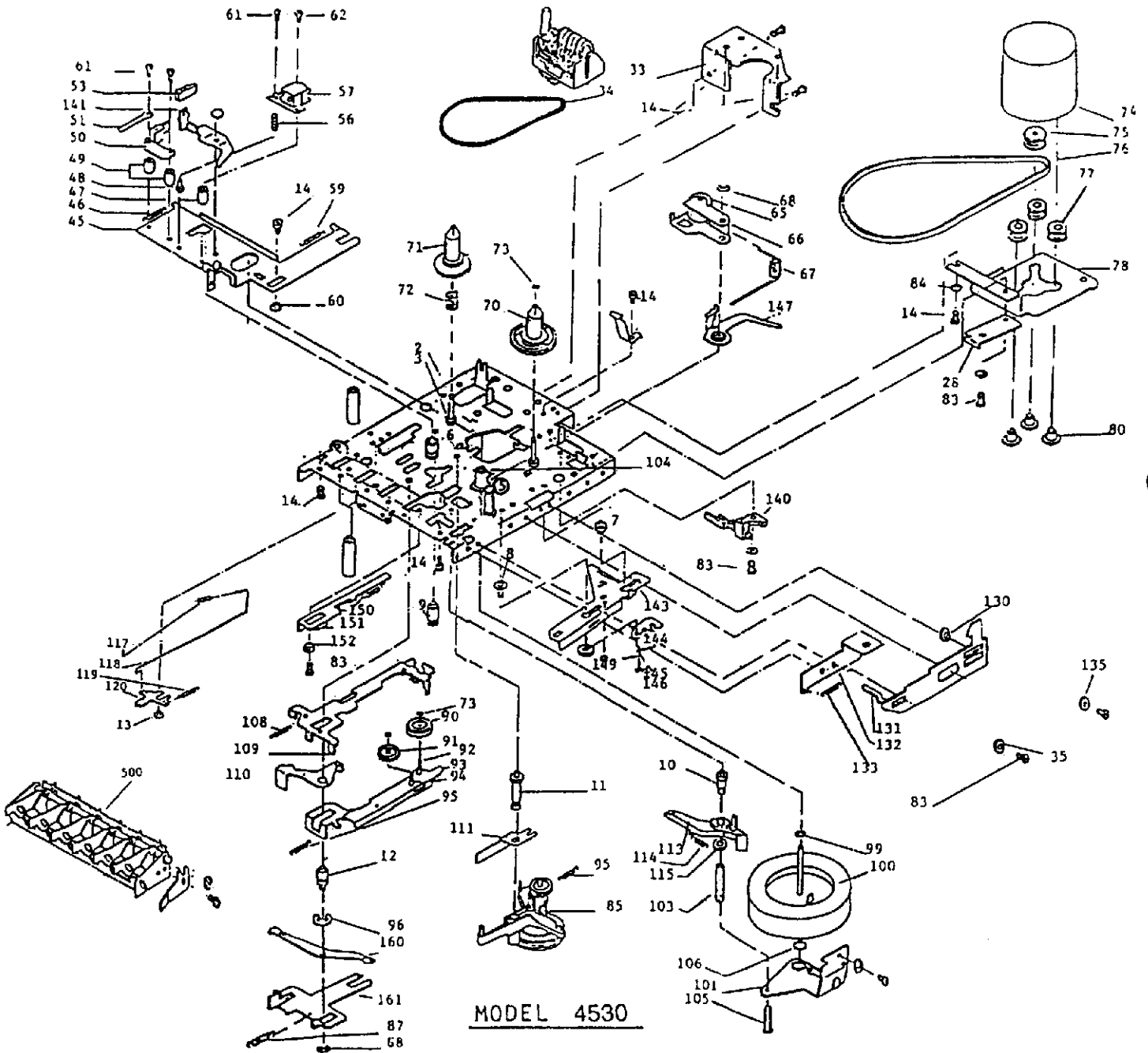


4530

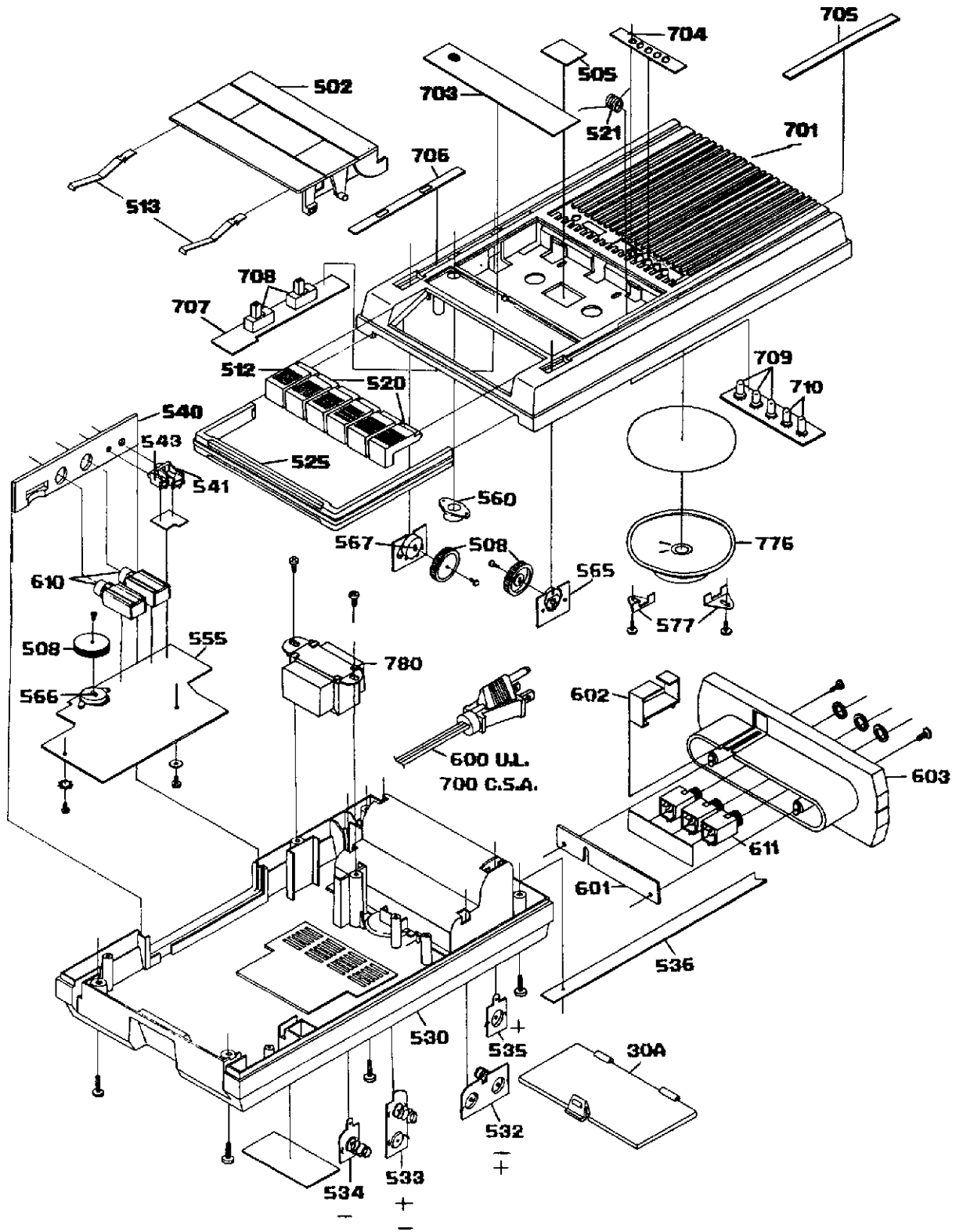
CASSETTE

SERVICE MANUAL

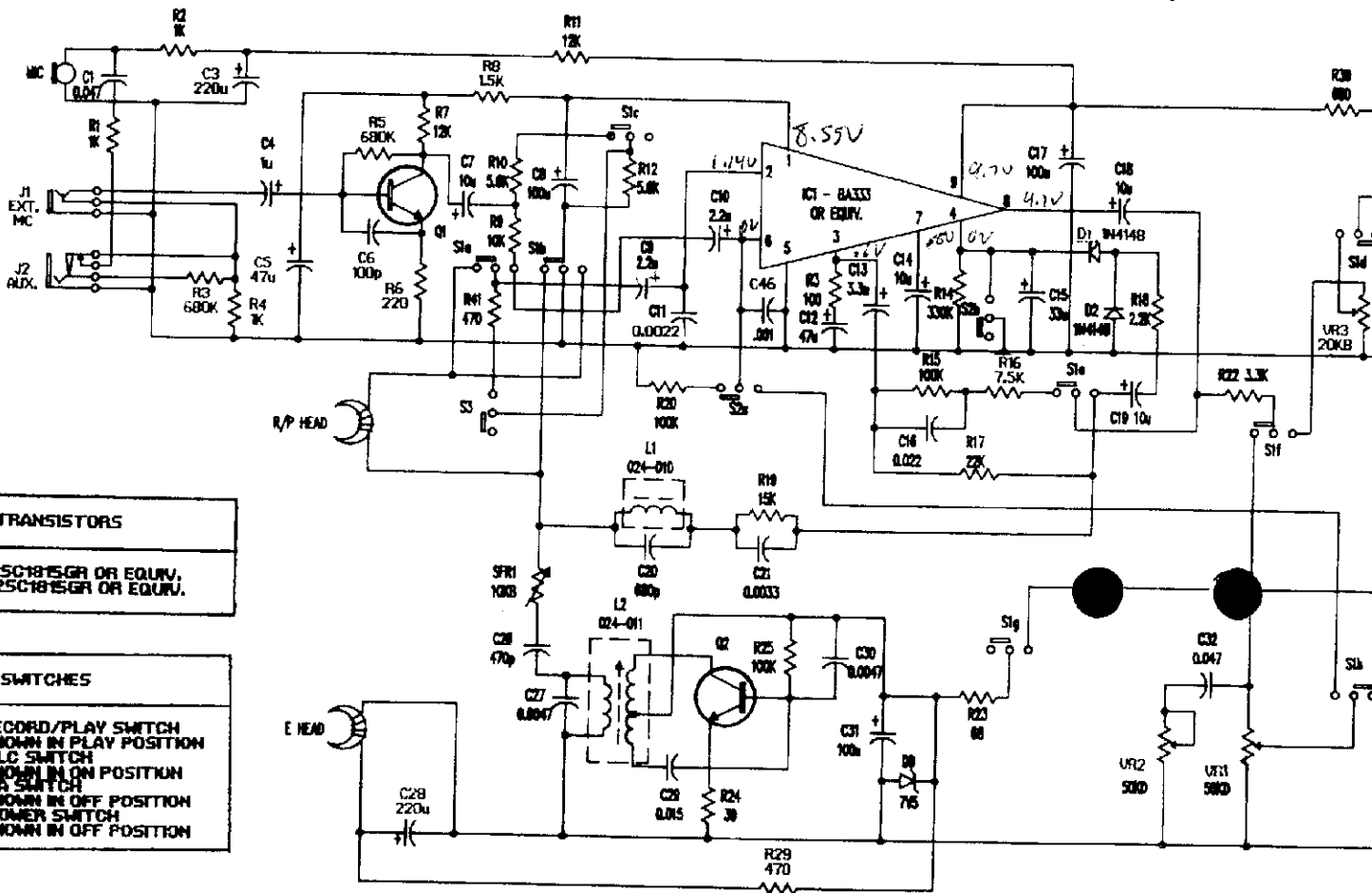
EXPLODED TRANSPORT



EXPLODED CASE



SCHEMATIC DIAGRAM



TRANSISTORS
Q1 - 25C1815GR OR EQUIV.
Q2 - 25C1815GR OR EQUIV.

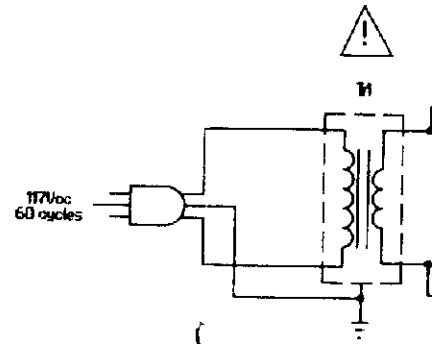
SWITCHES
S1 - RECORD/PLAY SWITCH SHOWN IN PLAY POSITION
S2 - ALC SWITCH SHOWN IN ON POSITION
S3 - PA SWITCH SHOWN IN OFF POSITION
S4 - POWER SWITCH SHOWN IN OFF POSITION

NOTES:

1. ALL RESISTOR VALUES ARE IN OHMS. (K = 1000 OHMS)
2. ALL CAPACITOR VALUES ARE IN MICROFARAD (μ F) μ = μ F
3. VALUES ARE SUBJECT TO CHANGE WITHOUT PRIOR NOTICE FOR IMPROVEMENT.
4. DO NOT USE REPLACEMENT PARTS (ESPECIALLY POWER TRANSFORMER T1) OTHER THAN SUPPLIED BY THE MANUFACTURER.

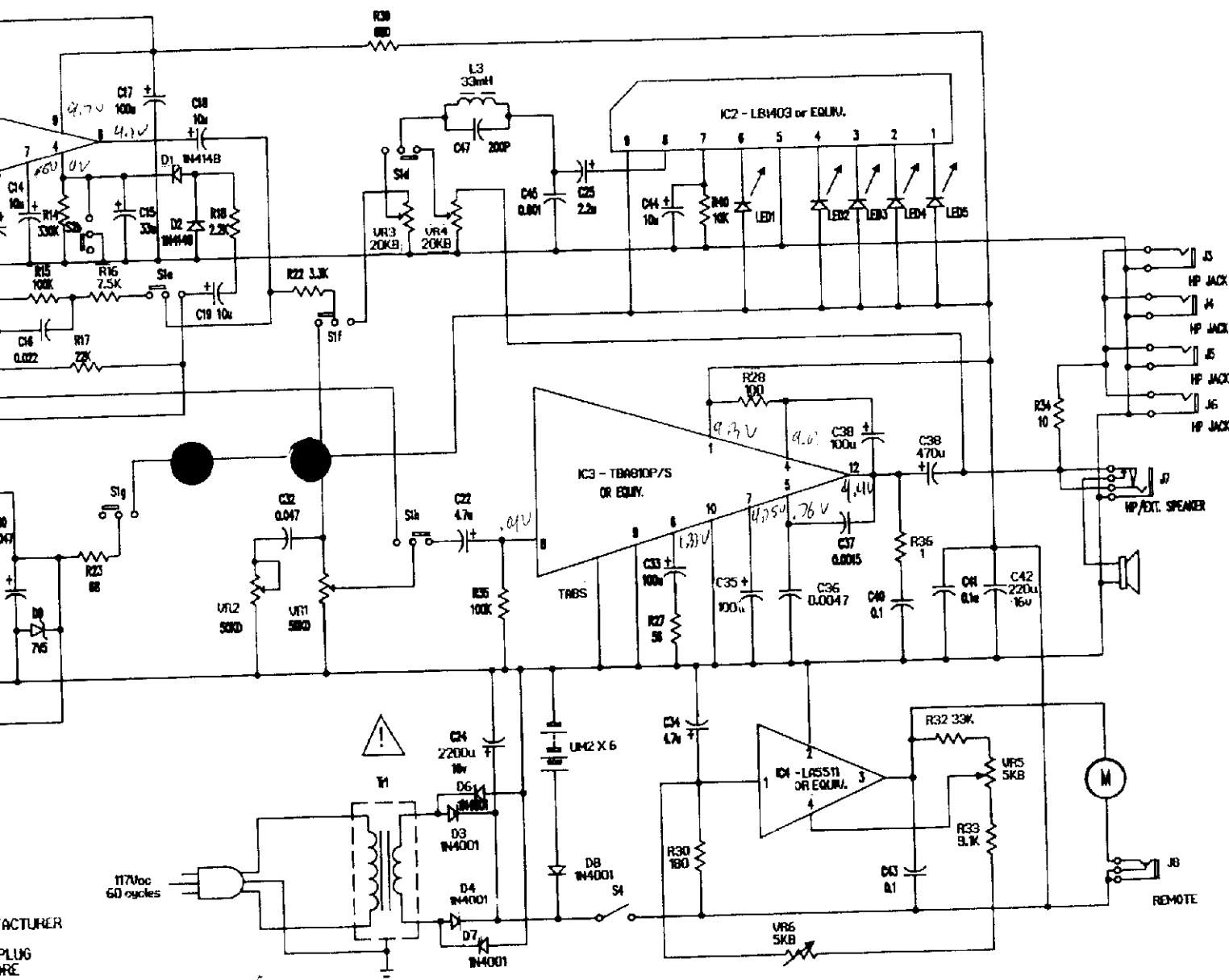
SERVICING INSTRUCTIONS

1. UNPLUG BEFORE SERVICING
2. REPLACE CRITICAL COMPONENTS Δ WITH MANUFACTURER RECOMMENDED PARTS.
3. CHECK WITH OHM METER FOR INFINITY FROM AC PLUG BLADES TO ALL EXPOSED METALLIC PARTS BEFORE RETURNING TO USER.



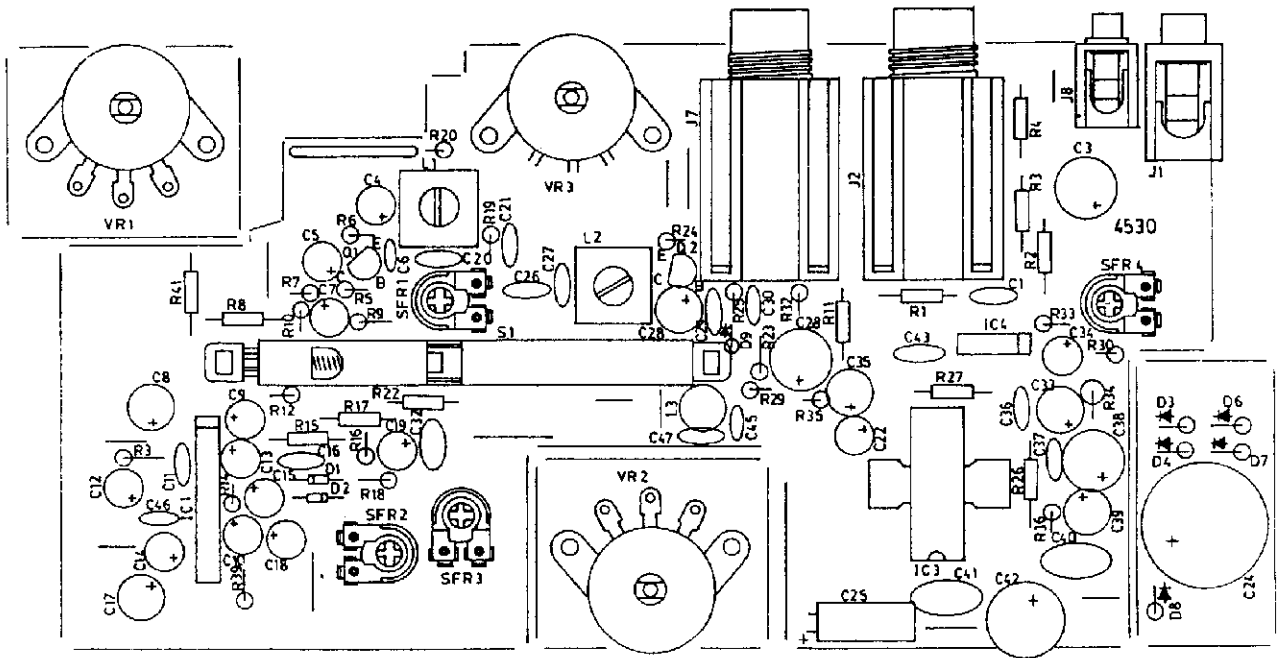
MODEL 4530

SCHEMATIC DIAGRAM



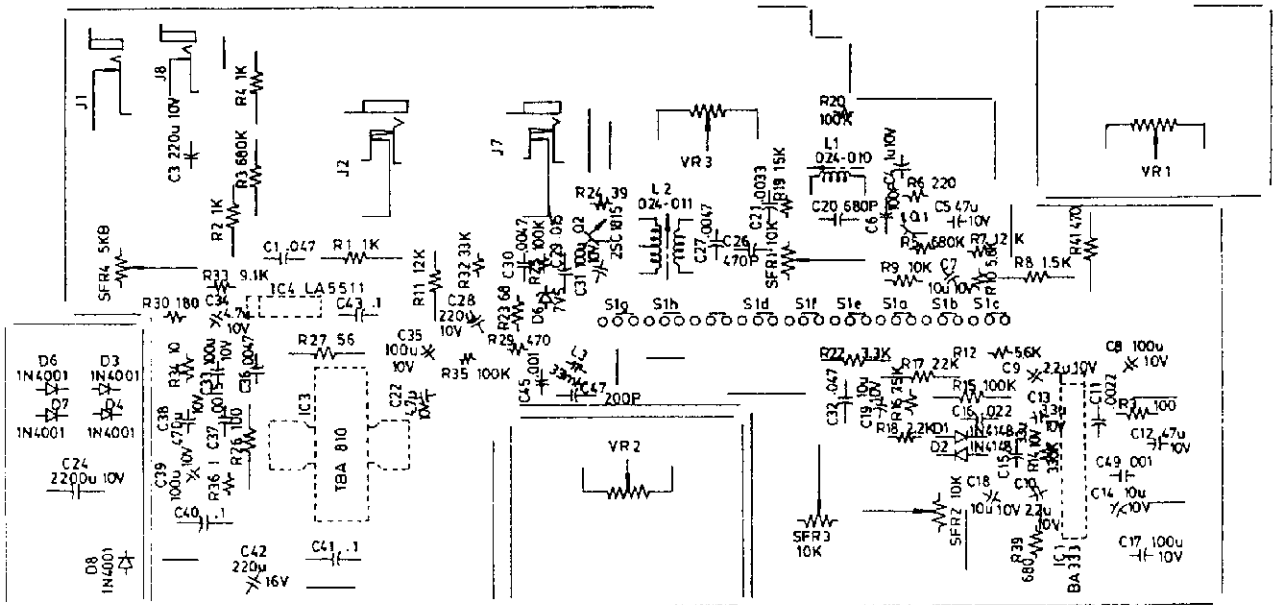
MODEL 4530

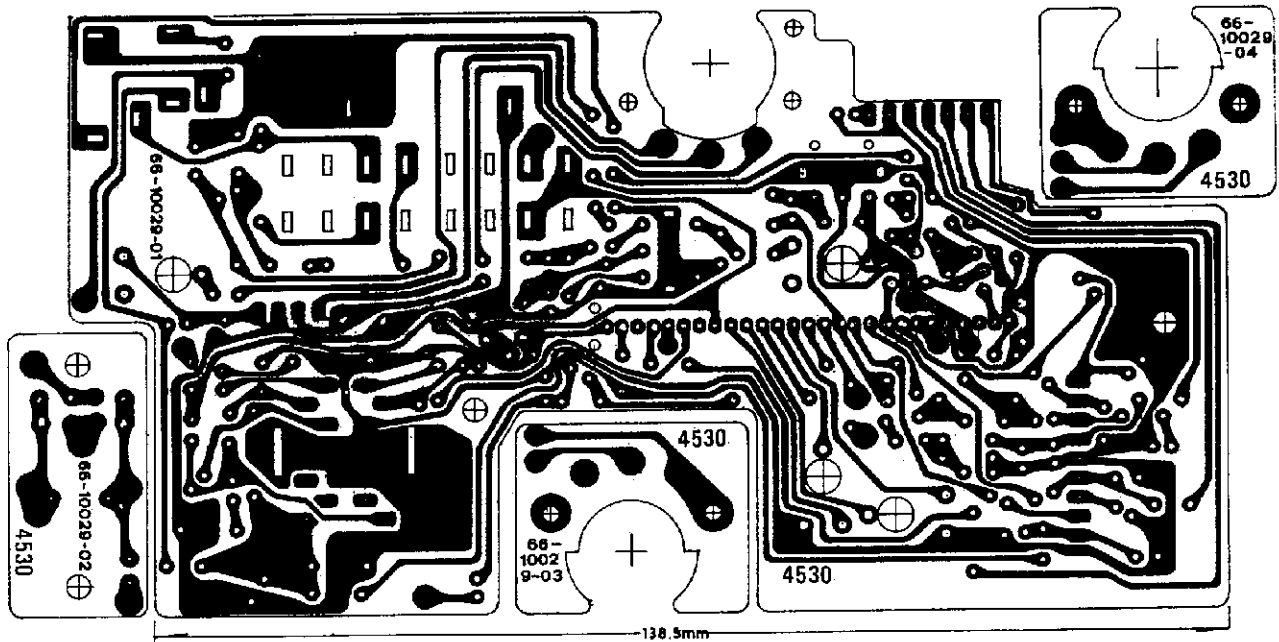
COMPONENT SIDE LAYOUT



NOTE: COMPLETE P.C. BOARDS ARE AVAILABLE FOR THIS UNIT. CONTACT CALIFONE FOR PART NUMBER AND PRICING.

COPPER SIDE LAYOUT





SPECIFICATIONS

POWER OUTPUT: 2 W RMS
SPEAKER SIZE: 3" round
FREQUENCY RESPONSE: 63 to 10K
DISTORTION: 5% THD
SIGNAL TO NOISE: 40 db minimum
WOW & FLUTTER: .35% W RMS
TAPE SPEED: 1 7/8 ips. Variable $\pm 15\%$
TAPE REWIND: 120 sec. for C-60
TAPE CAPACITY: C-30 to C-90
OUTPUT JACKS:
 1, 1/4" hp / ext. speaker, 3 headphone jacks
INPUT JACKS:
 1, 1/4" auxillary, (3.5mm) microphone, (2.5mm)
 remote stop / start
POWER SOURCE: 120 VAC 50 / 60 Hz or 6 "C" cells
MOTOR: Electronic Speed Controlled
WEIGHT: 5 lbs. (without batteries)
DIMENSIONS: 13" L x 6 1/2" W x 2 1/2" H