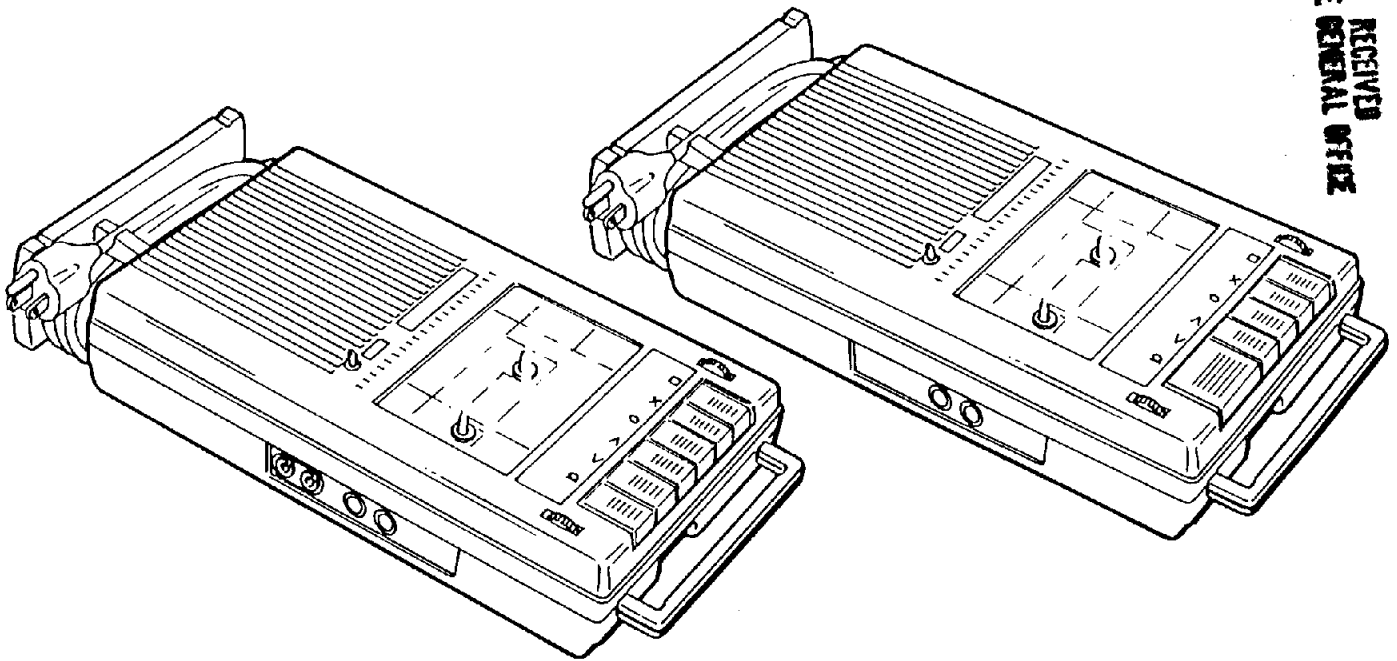


# 3410AV / 3430AV

## Service Manual

### 2 Watt Cassette Player and Recorder Lecteur et Magnétophone à Cassette, 2 Watt



RECEIVED  
MTC GENERAL OFFICE

92 SEP 23 PM 12:03

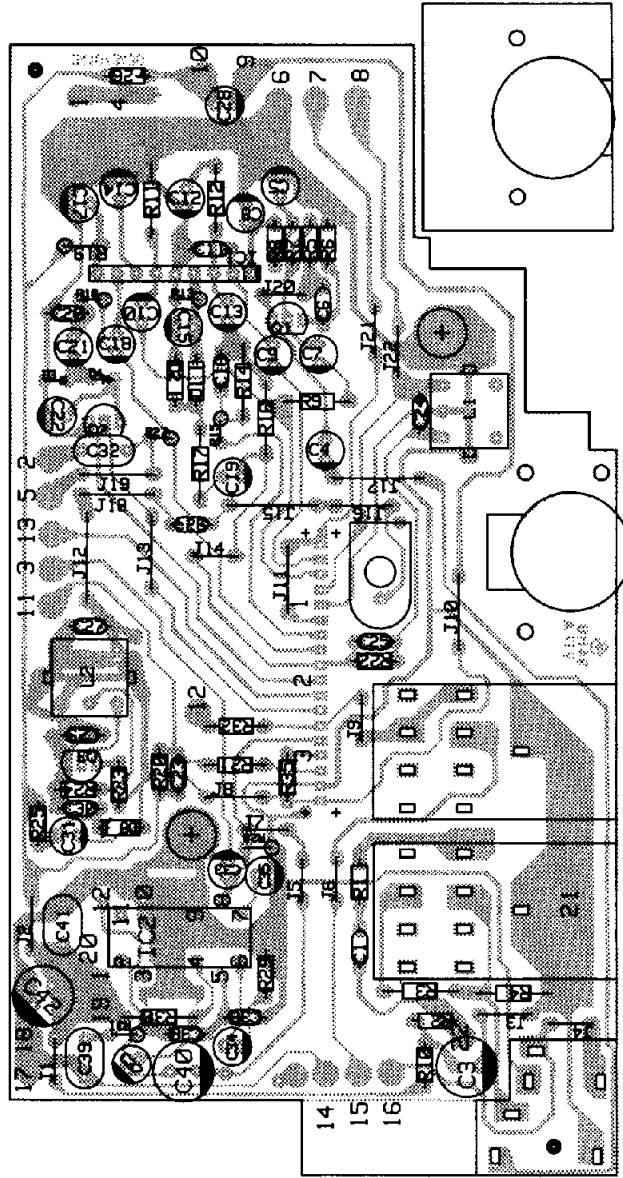
#### Données Techniques

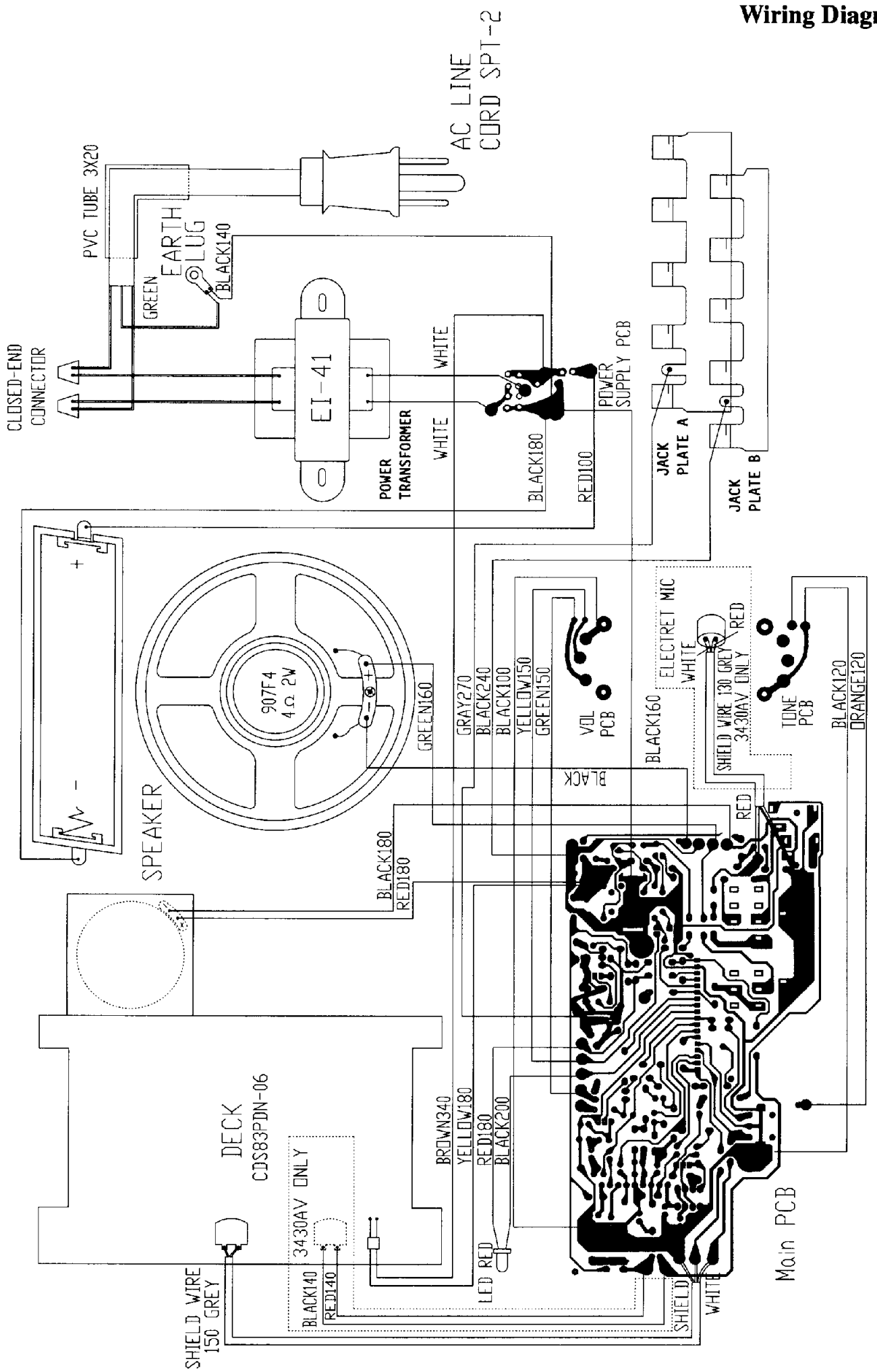
Modèle	3410AV	3430AV
Type	Lecteur	Magnétophone
Puissance de Sortie	2W sous 4 Ohms	
Réponse en Fréquence	63-10kHz	
Pleurage/Scintillement	<0.35%	
Rapport Signal Sur Bruit	dB, Non Pondéré	
Haut-Parleur	9 cm, Rond	
Durée d'Avance Accélérée/Rebobinage	120 s (C-60)	
Micro	Ne s'applique pas	Incorporé
Commande du Niveau d'enregistrement	Ne s'applique pas	ALC
Commandes	Lecture, Repérage, Révision, Rejet, Pause, Volume, Tonalité	Enregistrement, Lecture, Repérage, Révision, Rejet, Pause, Volume, Tonalité
Mécanisme	Arrêt Entièrement Automatique du Niveau	
Compte-Tours	X2 à 3 Chiffres	
Prises de Sortie	5 Casques d'Écoute, 1 Haut-Parleur/ Casques d'Écoute, Prise 6,3 mm	
Prises d'entrée	Ne s'applique pas	micro 3,5mm, télécommande 2,5mm
Alimentation	120Vc.a.50-60Hz ou 6 piles de grandeur C	
Dimensions	29 cm x 15 cm x 6,3 cm	
Poids	2,3 Kg sans Piles	

#### Specifications

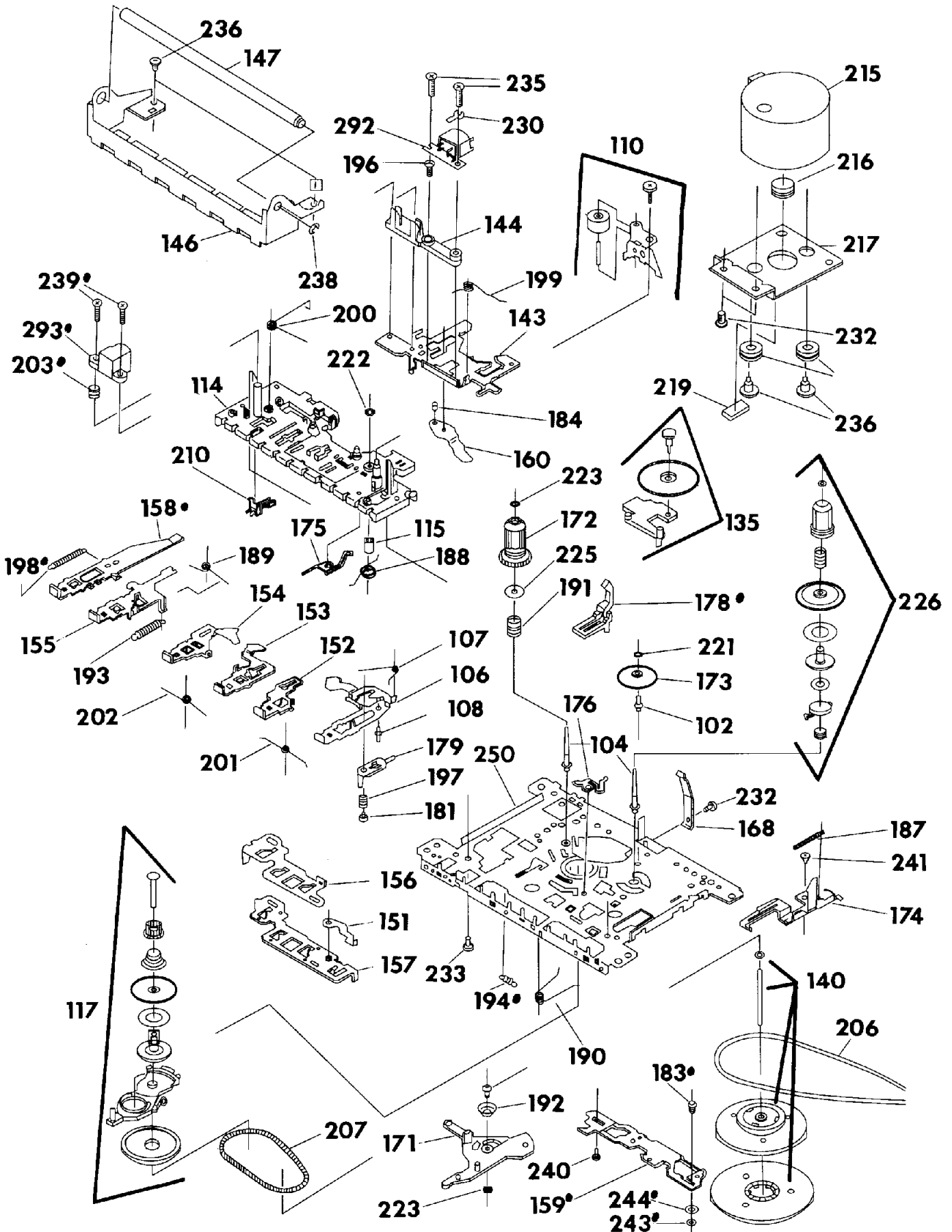
Model	3410AV	3430AV
Type	Player	Recorder
Power Output	2W into 4 Ohms	
Freq. Resp.	63-10kHz	
Wow and Flutter	<0.35%	
S/N Ratio	40dB Unweighted	
Speaker	3½" Round	
FF/Rew Time	120 seconds (C-60)	
Microphone	N/A	Built-in
Record Level Control	N/A	ALC
Mechanism	Full Auto Stop (all modes)	
Controls	Play, Cue, Review, Eject, Pause, Volume, Hi-Lo Tone	Record, Play, Cue Review, Eject, Pause, Volume, Hi-Lo Tone
Tape Counter	2X 3 Digit	
Output Jacks	5 HP, 1 HP/Spkr., ¼" Phone	
Input Jacks	N/A	3.5mm mic, 2.5mm remote
Power Requirements	120VAC 50-60Hz or 6 "C" cells	
Dimensions	11½"L x 6"W x 2½"H	
Weight	5 Lbs. without batteries	

# Printed Circuit Board



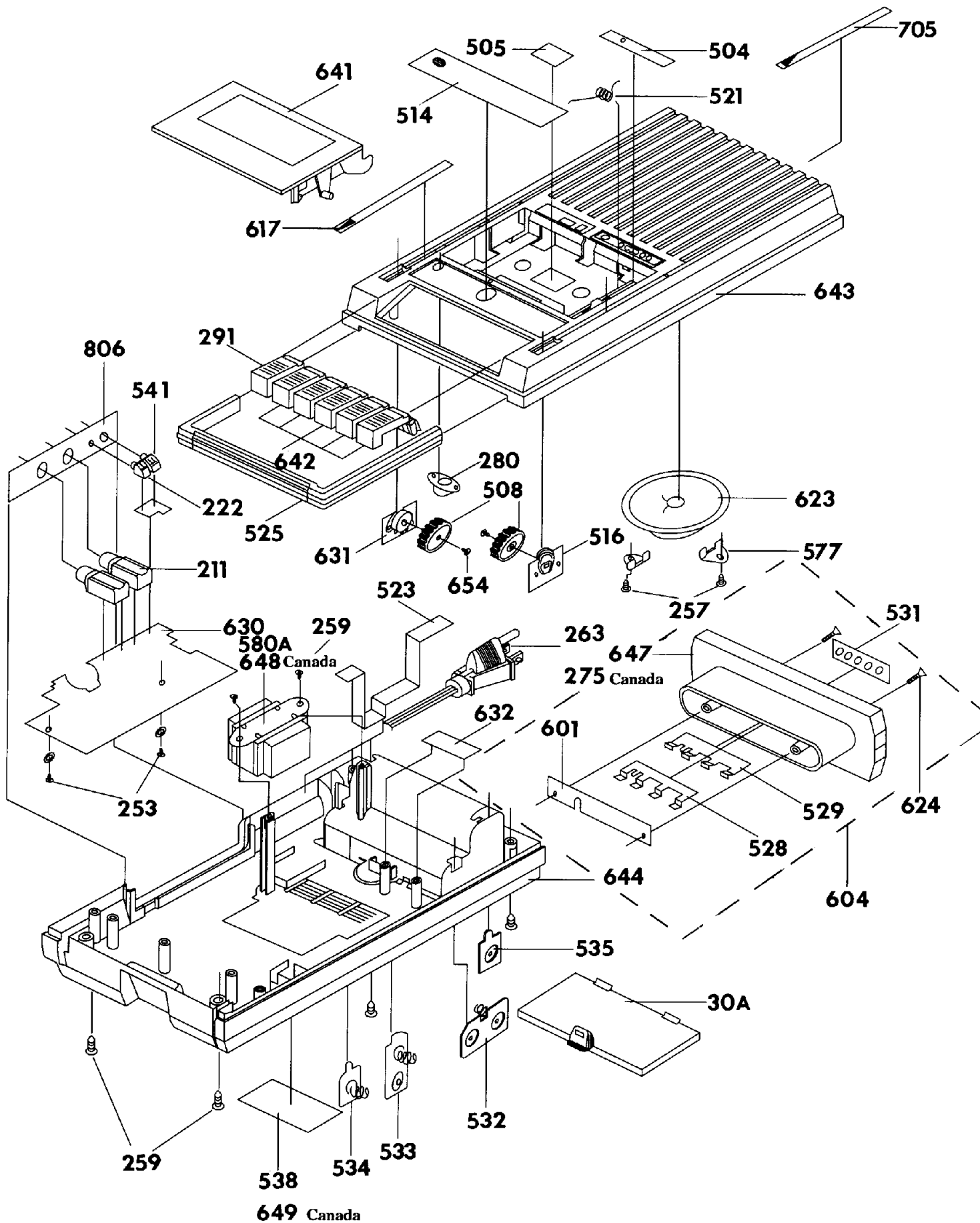


# Transport Explosion

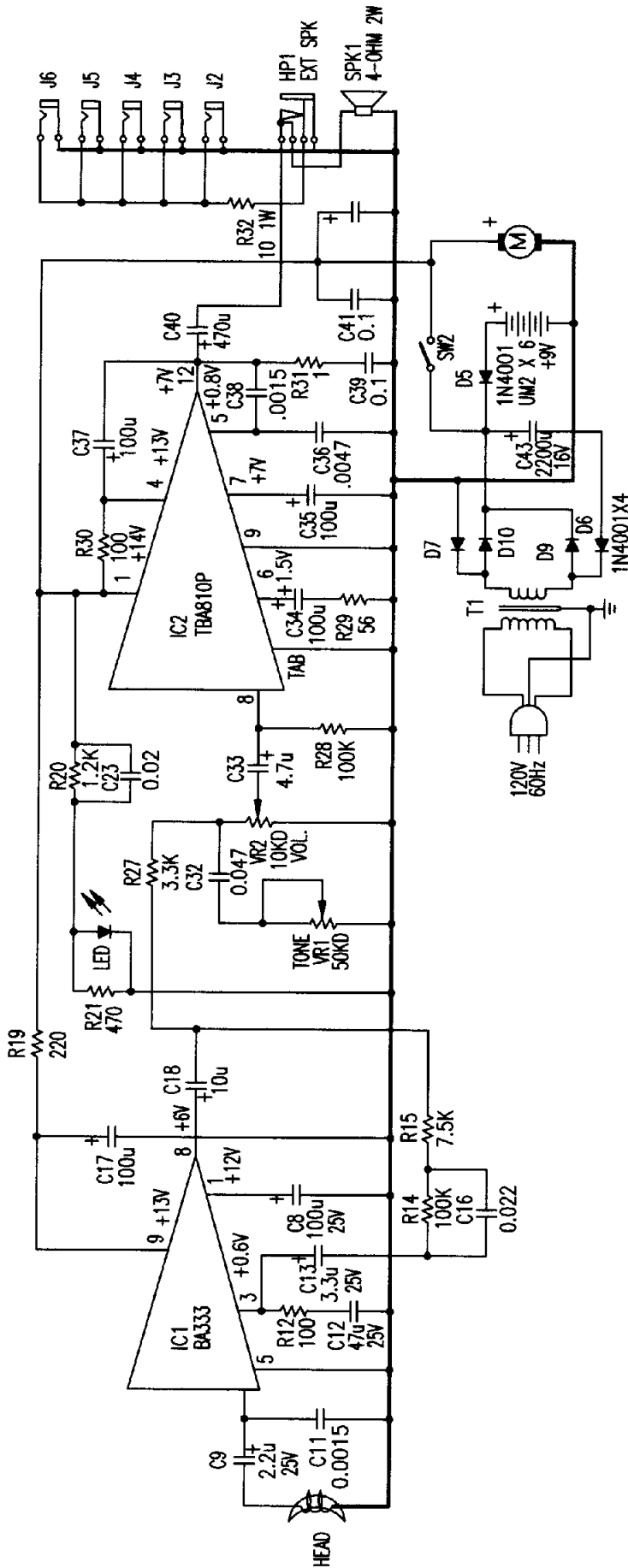


• RECORDER ONLY

Title <b>CDS-83</b>		
Drawing No.	Date	Appd.
<b>CALIFONE</b>		21300 Superior Street Chatsworth, CA 91311

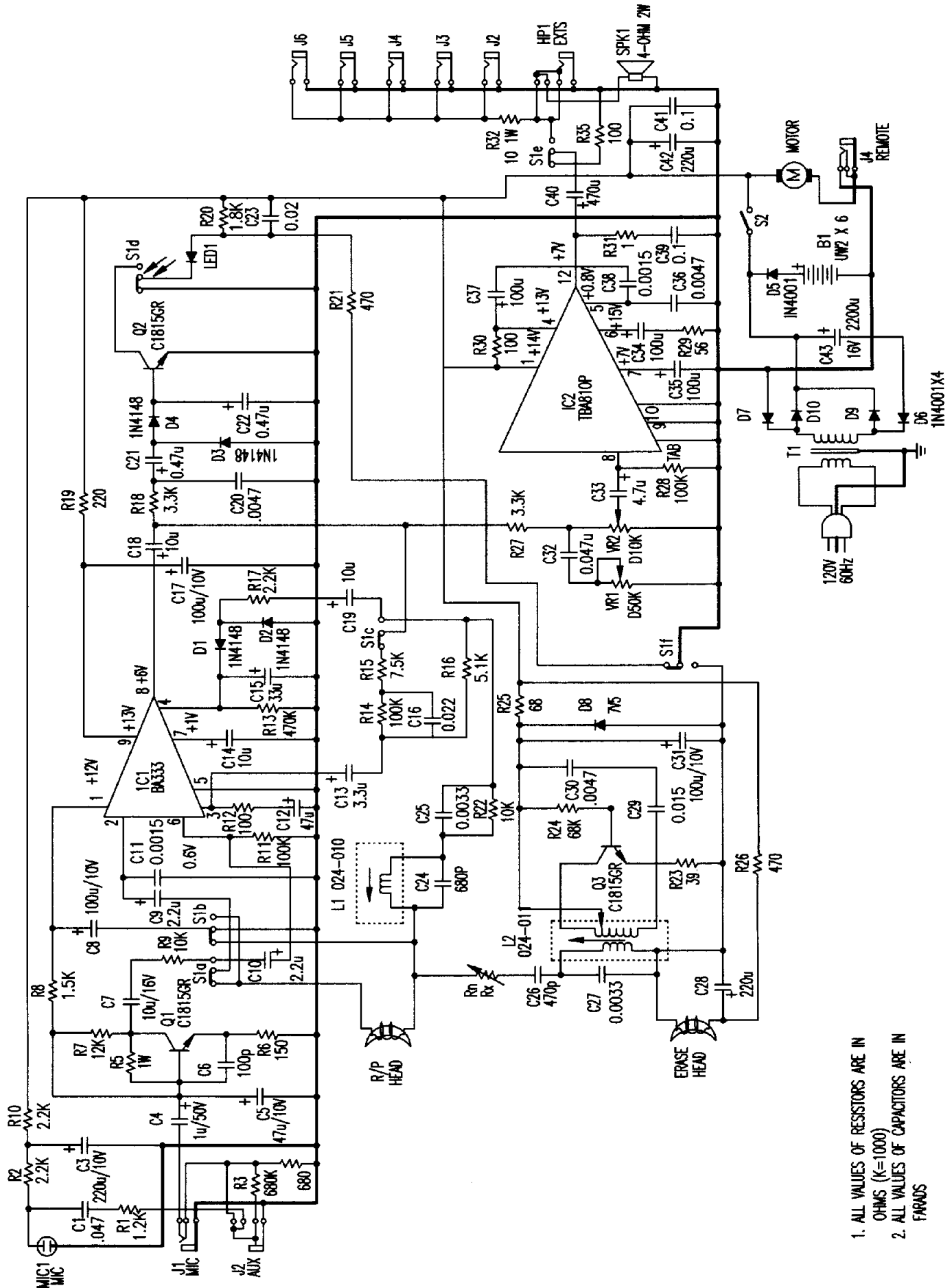


# Schematic Diagram - Model 3410AV



1. ALL VALUES OF RESISTORS ARE IN OHMS (K=1000)
2. ALL VALUES OF CAPACITORS ARE IN FARADS

# Schematic Diagram - Model 3430AV



1. ALL VALUES OF RESISTORS ARE IN OHMS (K=1000)
2. ALL VALUES OF CAPACITORS ARE IN FARADS

# Replacement Parts

## Packing

662-0040-552 Plastic Bag  
 662-0040-553 End Cap Front  
 662-0040-554 End Cap Front  
 662-0040-625 Shipping Carton 3430AV  
 662-0040-626 Shipping Carton 3410AV  
 662-0040-628 Owner's Manual

## Printed Circuit Board Assemblies

600-3100-211 Headphone Jack, 6.3mm  
 600-3100-222 Remote Jack, 2.5mm  
 600-3600-IC1 I.C., BA333, IC1  
 600-3600-511 Switch, Record/Play  
 600-3600-517 Pot, Trim 10K  
 662-0040-541 Microphone Jack, 3.5mm  
 662-0040-565 Pot, Volume 10K  
 662-0040-567 Pot, Tone 50K  
 662-0040-629 IC, TBA 810P  
 662-0040-655 Transistor, 2SC 1815

## Final Assembly

600-3100-253 Screw, 2.6 x 6mm Binding  
 600-3100-257 Screw, Self Tapping 3 x 6mm  
 600-3100-259 Screw, Self Tapping 3 x 10mm  
 600-3100-263 Cord, AC Power US, U.L.  
 600-3100-275 Cord, AC Power Canada CSA  
 600-3100-277 Label, Cation French  
 600-3100-280 Holder, Electret Microphone  
 600-3100-281 Microphone, Electret  
 600-3100-291 Key, Function Red Single  
 600-3100-297 Washer, Internal Tooth 2.6mm  
 600-3600-521 LED, Red Power  
 600-3600-537 Washer, Fiber 8 x 3 x .4mm  
 662-0040-30A Battery Door  
 662-0040-504 Escutcheon, Counter  
 662-0040-505 Plate, Reflector  
 662-0040-507 Plate, Side Jack 3430AV  
 662-0040-508 Knob, Volume and Tone  
 662-0040-513 Spring, Cassette Hold Down  
 662-0040-514 Escutcheon, Function 3430AV  
 662-0040-516 PCB, Volume Complete  
 662-0040-521 Spring, Cassette Door  
 662-0040-523 Bracket, Transformer  
 662-0040-525 Handle  
 662-0040-528 Plate, HP Jack Contact Lower  
 662-0040-529 Plate, HP Jack Contact Upper  
 662-0040-531 Escutcheon, Jack Plate  
 662-0040-532 Contact, Battery + and -  
 662-0040-533 Contact, Battery + and -  
 662-0040-534 Contact, Battery -  
 662-0040-535 Contact, Battery +  
 662-0040-537 Ribbon, Battery Tether  
 662-0040-538 Escutcheon, Rating U.S. 3430  
 662-0040-577 Clamp, Speaker  
 662-0040-580A Transformer, Power U.S.

662-0040-601 Plate, AC Cord Wrap  
 662-0040-602 Clip, Cord  
 662-0040-604 Wrap, AC Cord w/Plates  
 662-0040-617 Escutcheon, Tone Control  
 662-0040-623 Speaker, 3/4" Dia. 2 Watt  
 662-0040-624 Screw, Counter Sunk 3 x 12mm  
 662-0040-630 PCB, Amplifier Complete 3430  
 662-0040-631 PCB, Tone Control Complete  
 662-0040-632 PCB, Power Supply Complete  
 662-0040-633 Pad, Foam Shock Absorb  
 662-0040-634 Nut, 3.5mm Jack  
 662-0040-635 Nut, 2.5mm Jack  
 662-0040-636 Stud, Threaded Brass  
 662-0040-637 Mechanism, Transport 3410AV  
 662-0040-638 Mechanism, Transport 3430AV  
 662-0040-639 Escutcheon, Rating U.S. 3410  
 662-0040-640 Bracket, Record Switch Actvtr.  
 662-0040-641 Door, Cassette  
 662-0040-642 Key, Single Grey Function  
 662-0040-643 Cabinet, Top  
 662-0040-644 Cabinet, Bottom  
 662-0040-645 Plate, Side Jack 3410AV  
 662-0040-646 Key, Red Record  
 662-0040-647 Wrap, AC Cord Unassembled  
 662-0040-648 Transformer, Power Canada  
 662-0040-649 Escutcheon, Rating CDN 3430  
 662-0040-650 Escutcheon, Rating CDN 3410  
 662-0040-651 Key, Double Grey Play 3410AV  
 662-0040-652 PCB, Amplifier Complete 3410  
 662-0040-653 Escutcheon, Function 3410AV  
 662-0040-654 Screw, 1.7 x 4mm  
 662-0040-705 Escutcheon, Volume Indicator

## Transport Parts

600-3100-122 Belt, 2X Counter  
 600-3100-123 Counter, 2X  
 600-3100-283 Screw, 2.6 x 4mm  
 600-3100-292 Head, Record/Play  
 600-3100-293 Head, Erase  
 600-3600-534 Screw, Machine 2 x 3mm  
 600-5700-106 Lever, Pause  
 600-5700-107 Spring, Pause Cancel  
 600-5700-110 Assy, Pinch Roller  
 600-5700-114 Case, Push BUtton  
 600-5700-117 Assy, Clutch  
 600-5700-135 Gear, Play Arm  
 600-5700-140 Wheel, Fly  
 600-5700-143 Base, Head Footing  
 600-5700-144 Footing, Head  
 600-5700-146 Bracket, Function Key  
 600-5700-147 Shaft, Function Key  
 600-5700-151 Arm, Eject  
 600-5700-152 Lever, Stop  
 600-5700-153 Lever, Fast Forward  
 600-5700-154 Lever, Rewind

600-5700-155 Lever, Play  
 600-5700-156 Plate, S.W. Op.  
 600-5700-157 Plate, Lock  
 600-5700-158 Lever, Record  
 600-5700-159 Plate, APS Lock  
 600-5700-160 Lever, Head Op. 184 Op. Pin  
 600-5700-168 Spring, Leaf  
 600-5700-171 Lever, Auto Kick  
 600-5700-172 Spindle, Supply  
 600-5700-173 Gear, Fast Forward  
 600-5700-174 Hook, Eject  
 600-5700-175 Arm, Cancel  
 600-5700-176 Arm, Cancel  
 600-5700-178 Lever, Record Safety  
 600-5700-179 Lock, Pause  
 600-5700-181 Bushing, Lock Pause Stopper  
 600-5700-187 Spring, Eject Hook  
 600-5700-188 Spring, Lock Plate  
 600-5700-189 Spring, S.W. Op. Plate  
 600-5700-190 Spring, Play Arm  
 600-5700-191 Spring, Rewind Bt.  
 600-5700-192 Spring, Auto Kick Arm  
 600-5700-193 Spring, Play Lever  
 600-5700-194 Spring, AF Record Safety  
 600-5700-196 Spring, Azimuth  
 600-5700-197 Spring, Pause Lock  
 600-5700-198 Spring, Record Lever  
 600-5700-199 Spring, Pinch Roller Arm  
 600-5700-200 Spring, Head Base  
 600-5700-201 Spring, Button Lever (A)  
 600-5700-202 Spring, Button Lever (B)  
 600-5700-203 Spring, Erase Head Align.  
 600-5700-206 Main, Main Drive  
 600-5700-207 Belt, Clutch Assy.  
 600-5700-210 Switch, Leaf  
 600-5700-215 Motor, D.C. Drive  
 600-5700-216 Pulley, Motor  
 600-5700-217 Bracket, Drive Motor Mntg.  
 600-5700-218 Grommets, Motor Mounting  
 600-5700-219 Pad, Felt Anti-Vibration  
 600-5700-221 Retainer, Fast Forward Gear  
 600-5700-222 Washer, PSW 2.1x3.6x.4mm  
 600-5700-223 Washer, 1.2 x 3.6 x .35mm  
 600-5700-225 Washer, Supply Spindle  
 600-5700-226 Spindle, Take Up  
 600-5700-230 Lug, R/P Head Grounding  
 600-5700-232 Screw, Bind DT 2 x 4mm  
 600-5700-233 Screw, Bind Head 2 x 5mm  
 600-5700-235 Screw, Record/Play Head  
 600-5700-236 Screw, DT #1 2 x 7mm  
 600-5700-238 E-Ring, Function Key Shaft  
 600-5700-239 Screw, Erase Head  
 600-5700-240 Screw, Plax, 2 x 8mm  
 600-5700-243 Washer, 1.6 x 4 x .25mm  
 600-5700-244 Washer, 2.1 x 5 x .5mm

## Final Assembly Screw Placement Information

600-3100-253 Screw, 2.6mm x 6 mm Binding Head  
 600-3100-257 Screw, Self Tapping 3mm x 6mm BA NI  
 600-3100-259 Screw, Self Tapping 3mm x 10mm BA  
 600-3100-283 Screw, 2.6mm x 4mm  
 600-3600-534 Screw, Machine 2mm x 3mm  
 662-0040-624 Screw, 3 x 12mm Counter Sunk Head  
 662-0040-654 Screw, 1.7 x 4mm

Main PCB to Mechanism  
 Main, Control and Power Supply PCB's and Mechanism to deck  
 Transformer and AC Cord to Deck  
 Counter Bracket to Mechanism  
 Record/Play Switch Activator Bracket  
 AC Cord Wrap to Case  
 Knob to Pots

For additional information call Califone Customer Service at 1-800-722-0500 or write to:  
 Califone International, Inc., 21300 Superior Street, Chatsworth, CA 91311