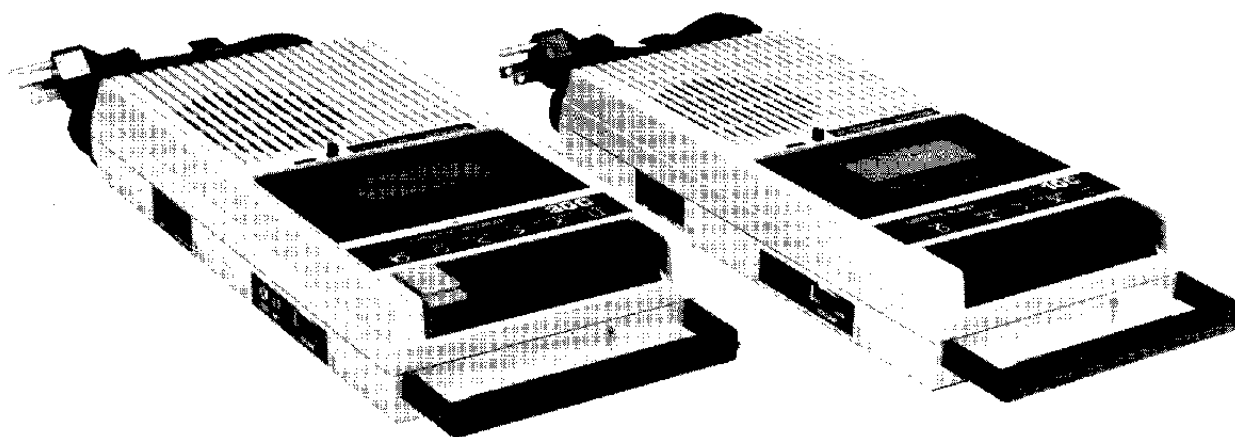
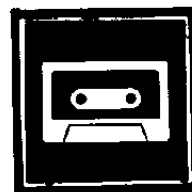


CALIFONE

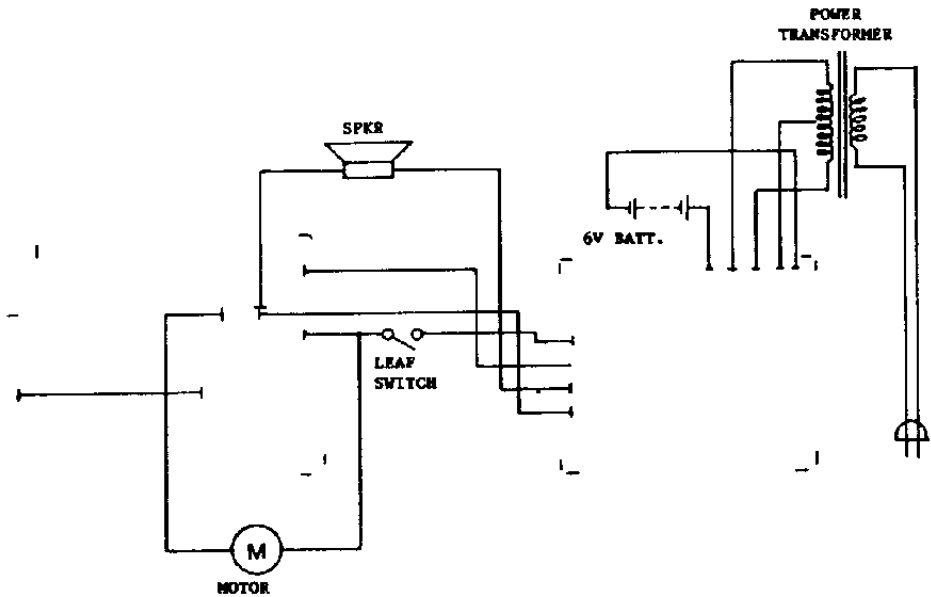


MODELS 3110C & 3130C

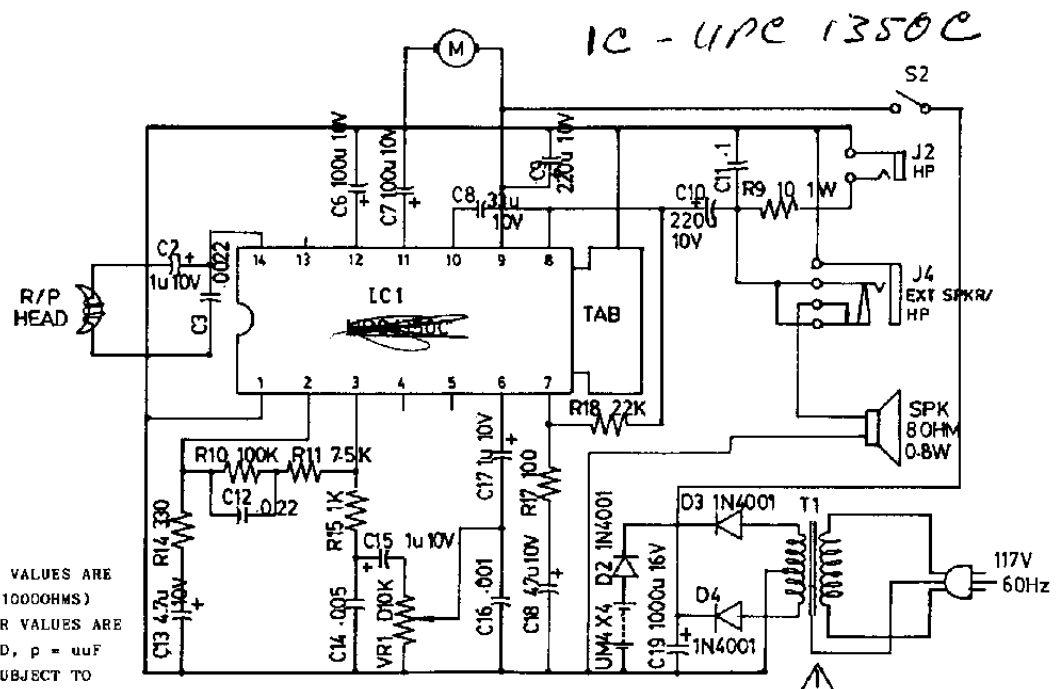
CASSETTE PLAYER & RECORDER

SERVICE MANUAL

WIRING DIAGRAM



SCHEMATIC DIAGRAM



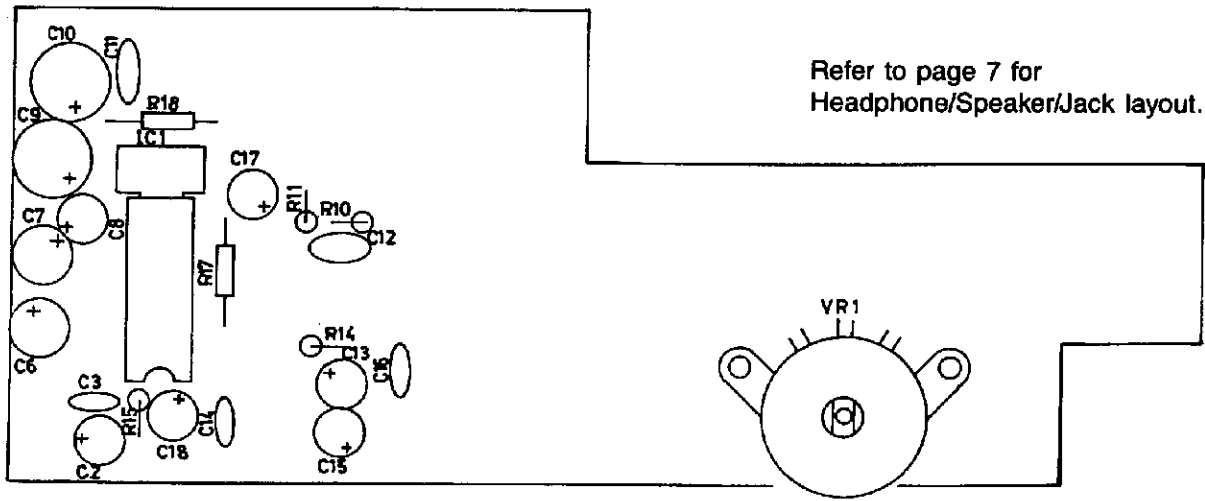
NOTES:

1. ALL RESISTOR VALUES ARE IN OHM (K = 1000OHMS)
2. ALL CAPACITOR VALUES ARE IN MICROFARAD, p = uuF
3. VALUES ARE SUBJECT TO CHANGE FOR IMPROVEMENT WITHOUT PRIOR NOTICE
4. DO NOT USE REPLACEMENT PARTS (ESPECIALLY POWER TRANSFORMER T1)

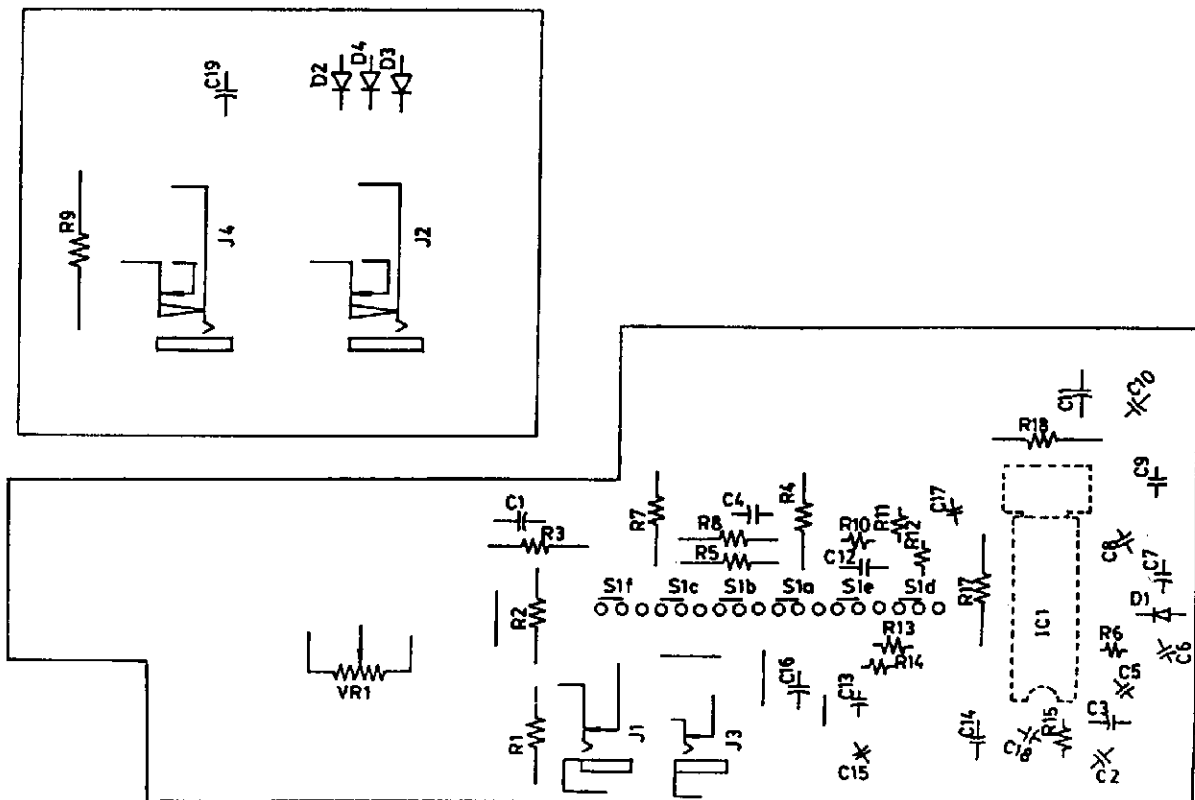
SERVICING INSTRUCTIONS

1. UNPLUG BEFORE SERVICING
2. REPLACE CRITICAL COMPONENTS WITH MFR RECOMMENDED PARTS
3. CHECK WITH OHM METER FOR INFINITY FROM AC PLUG BLADES TO ALL EXPOSED METALLIC PARTS BEFORE RETURNING TO USER.

COMPONENT SIDE LAYOUT

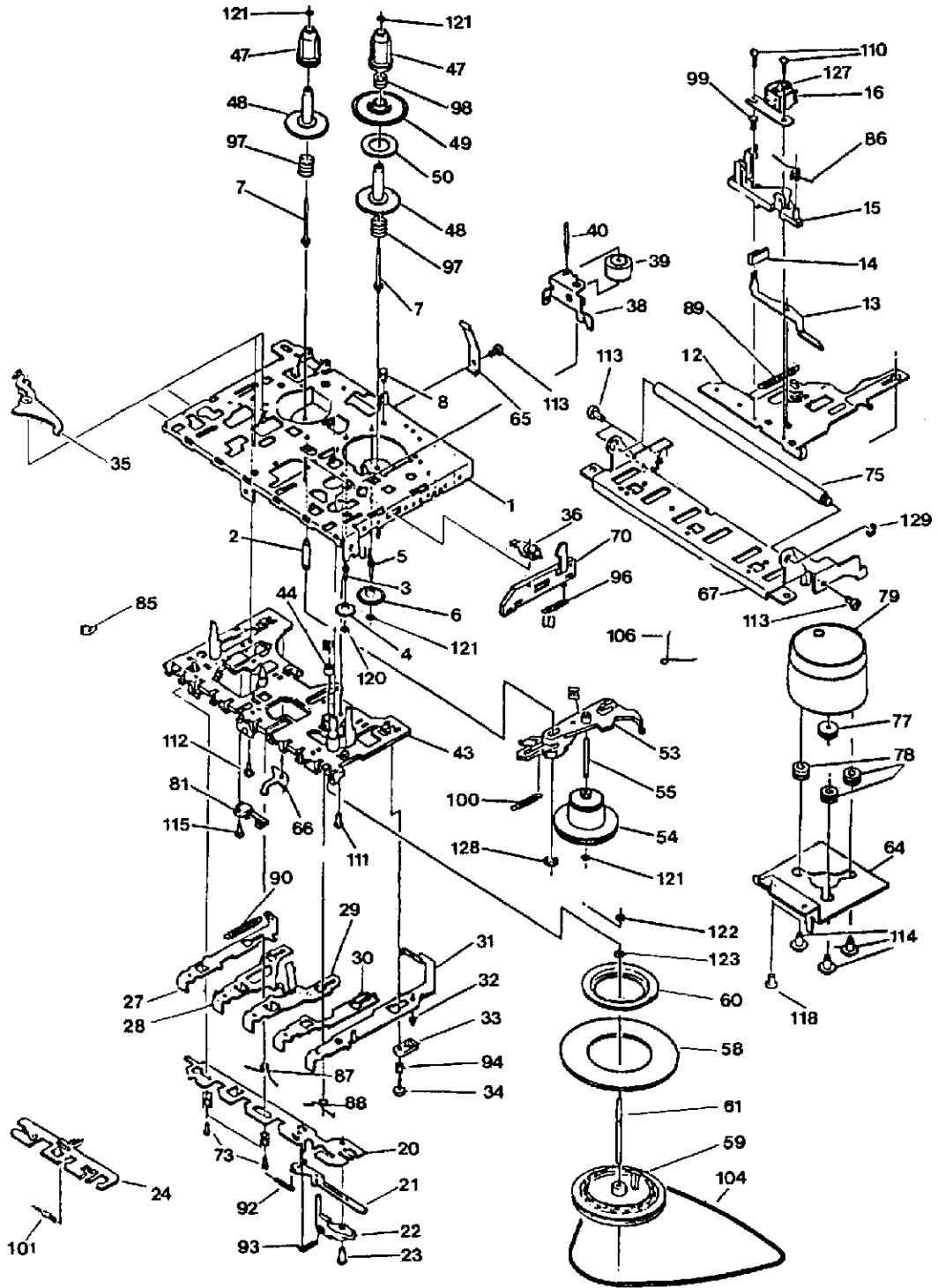


COPPER SIDE LAYOUT



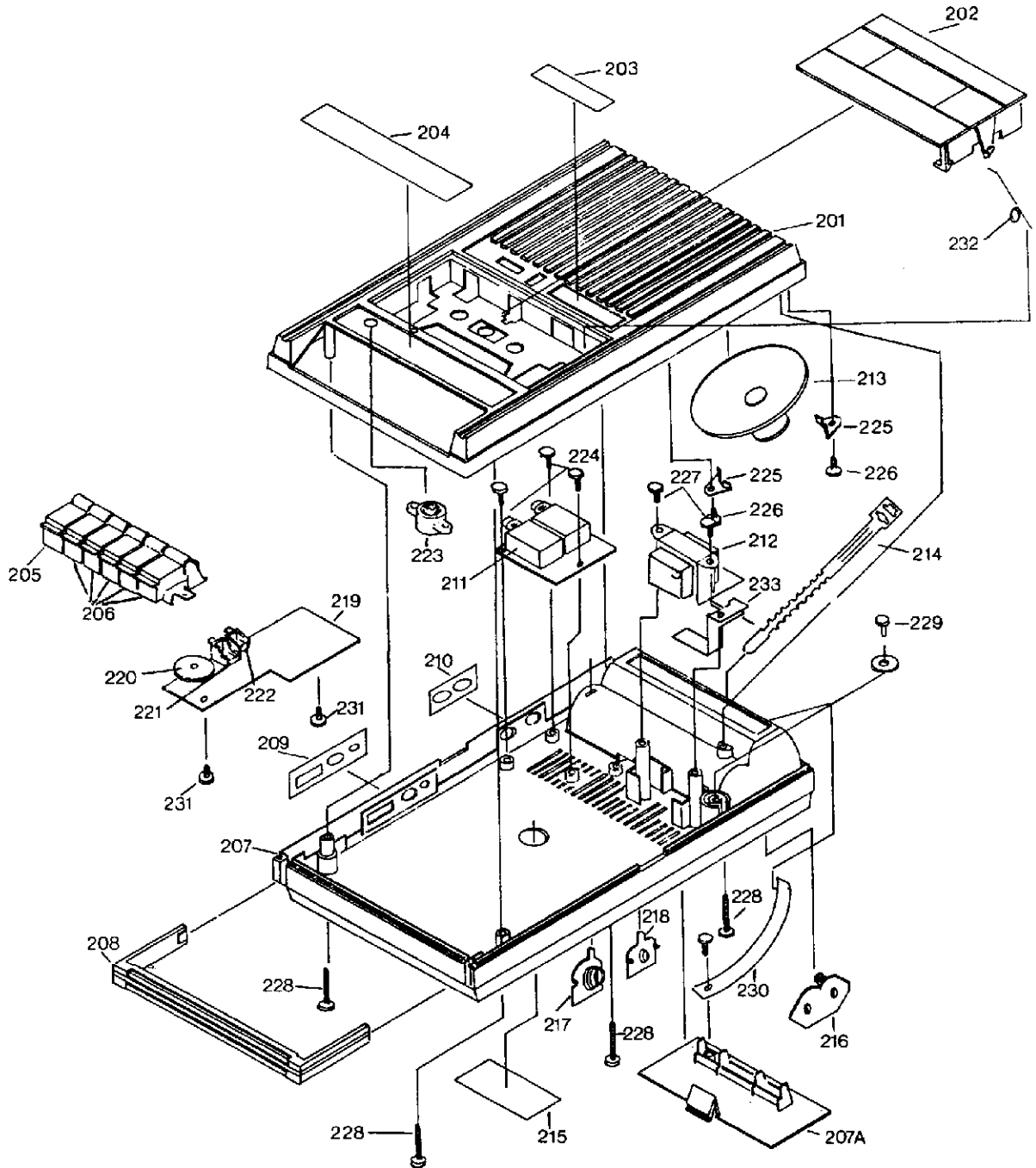
MODEL 3110C

EXPLODED TRANSPORT



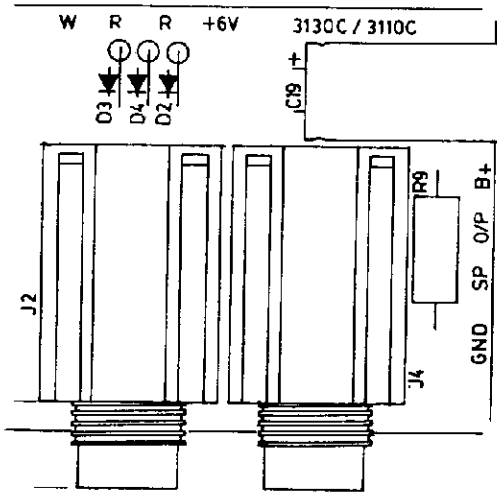
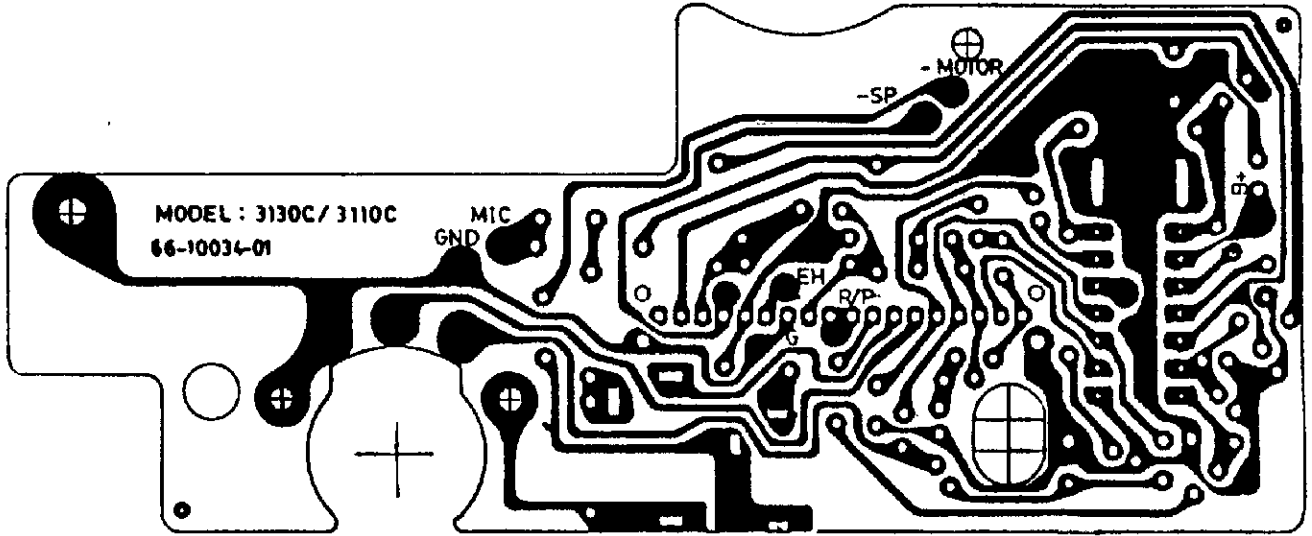
MODEL 3110C

EXPLODED CASE

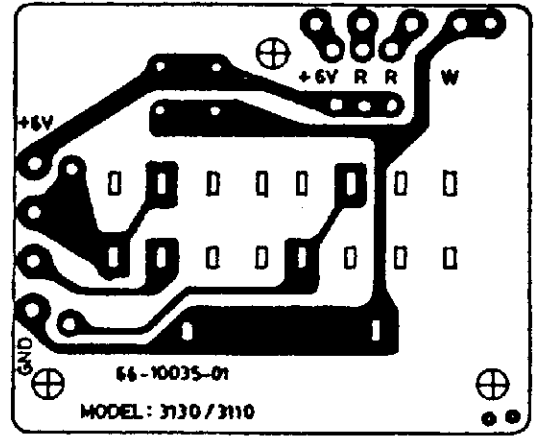


MODELS 3110C & 3130C

PC BOARD-REVERSE SIDE



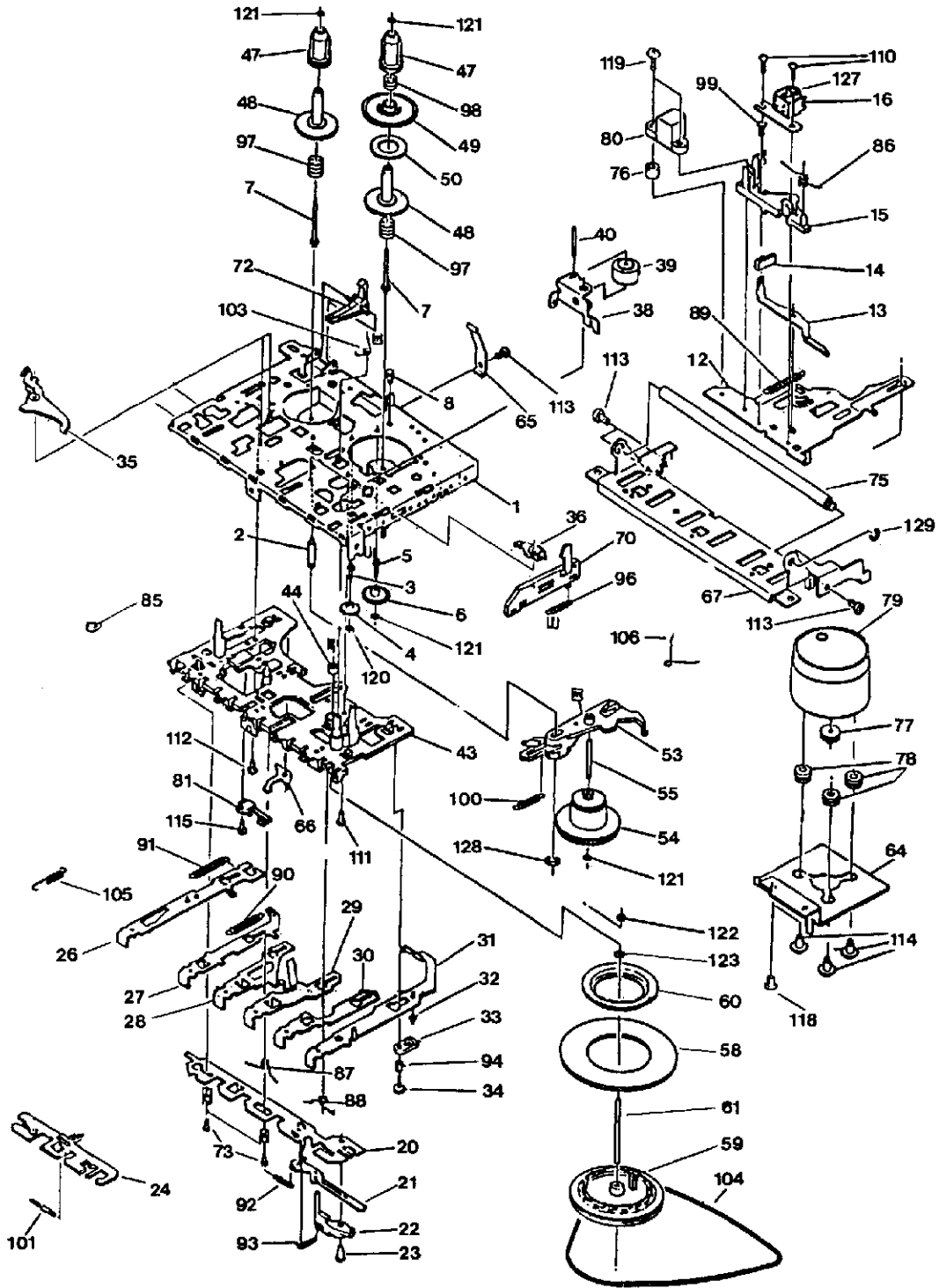
Detail of Headphone/Speaker/Jack layout.



Headphone/Speaker Output Reverse.

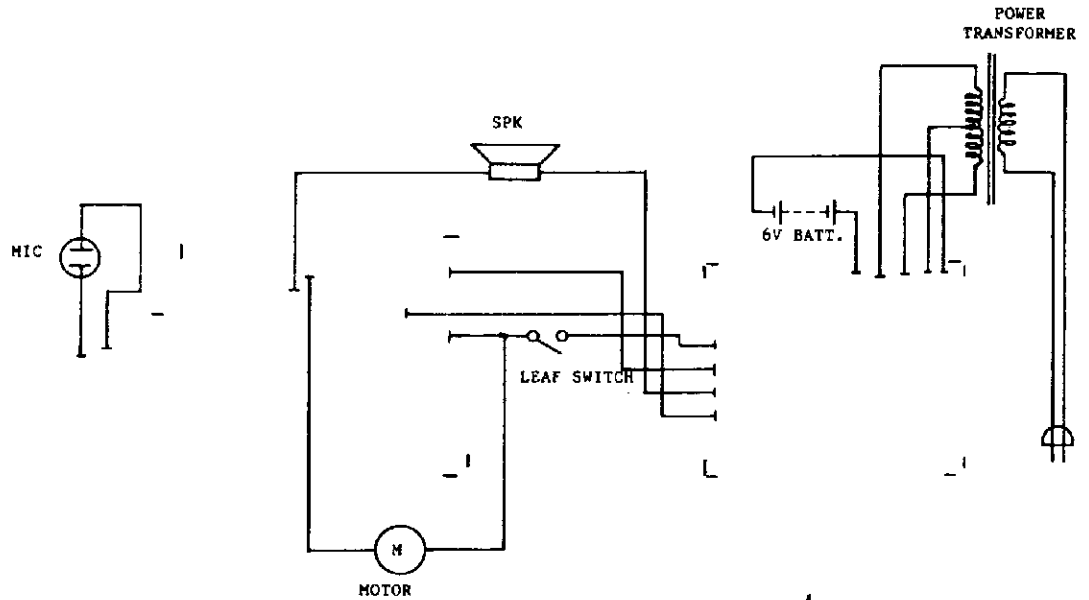
MODELS 3110C & 3130C

EXPLODED TRANSPORT



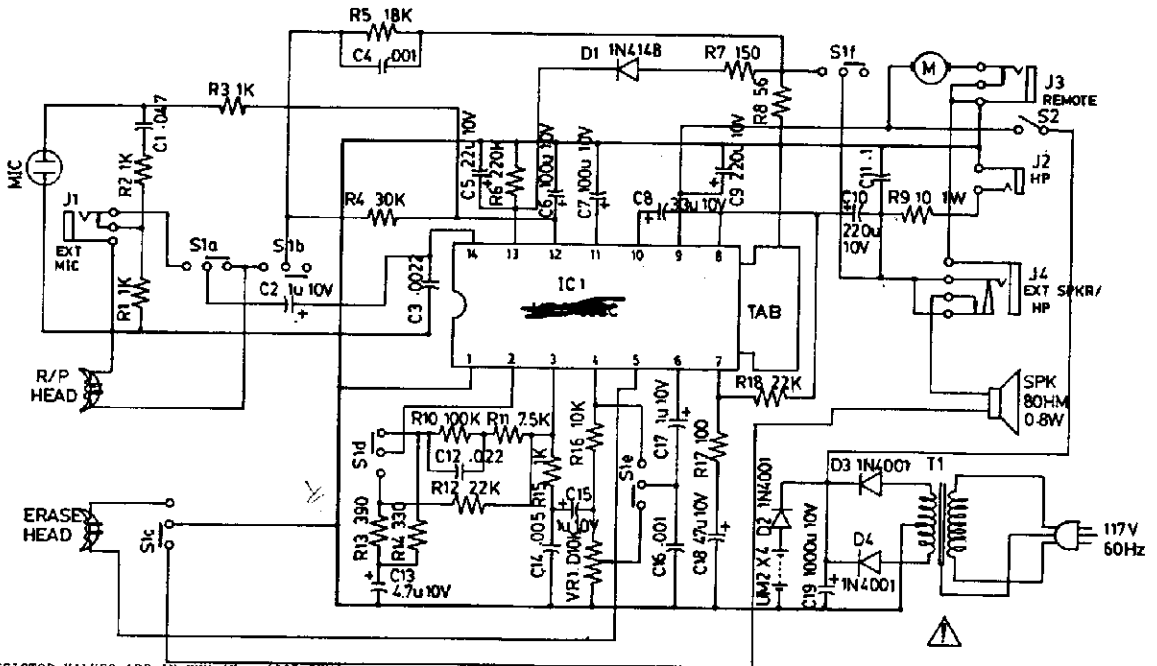
MODEL 3130C

WIRING DIAGRAM



re/upc1350e.

SCHEMATIC DIAGRAM

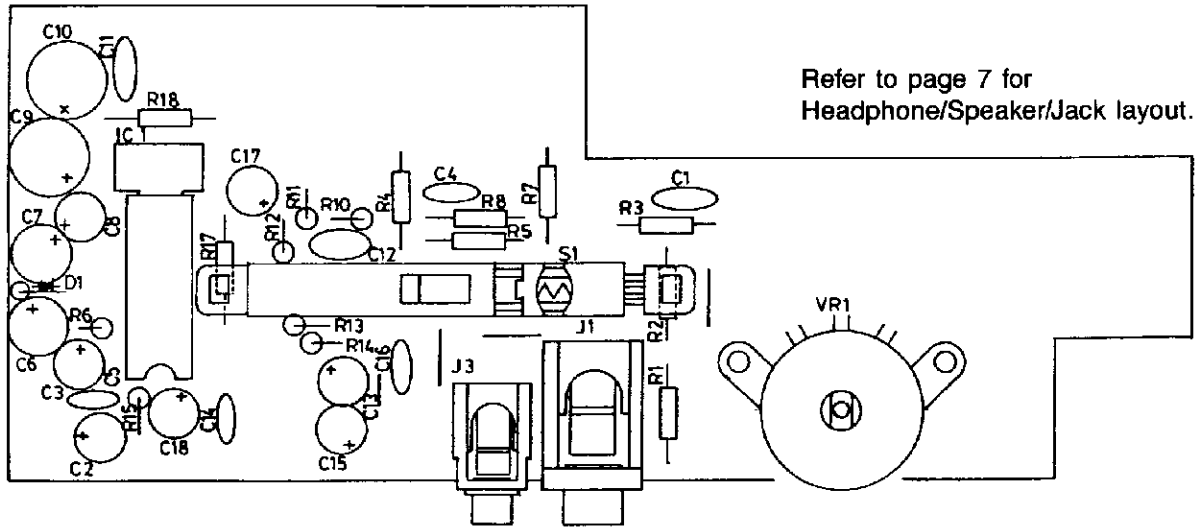


- NOTES:
1. ALL RESISTOR VALUES ARE IN OHM (K = 1000 OHM)
 2. ALL CAPACITOR VALUES ARE IN MICROFARAD, p = uUF
 3. VALUES ARE SUBJECT TO CHANGE FOR IMPROVEMENT WITHOUT PRIOR NOTICE
 4. DO NOT USE REPLACEMENT PARTS (ESPECIALLY POWER TRANSFORMER T1) OTHER THAN SUPPLIED BY MFR.

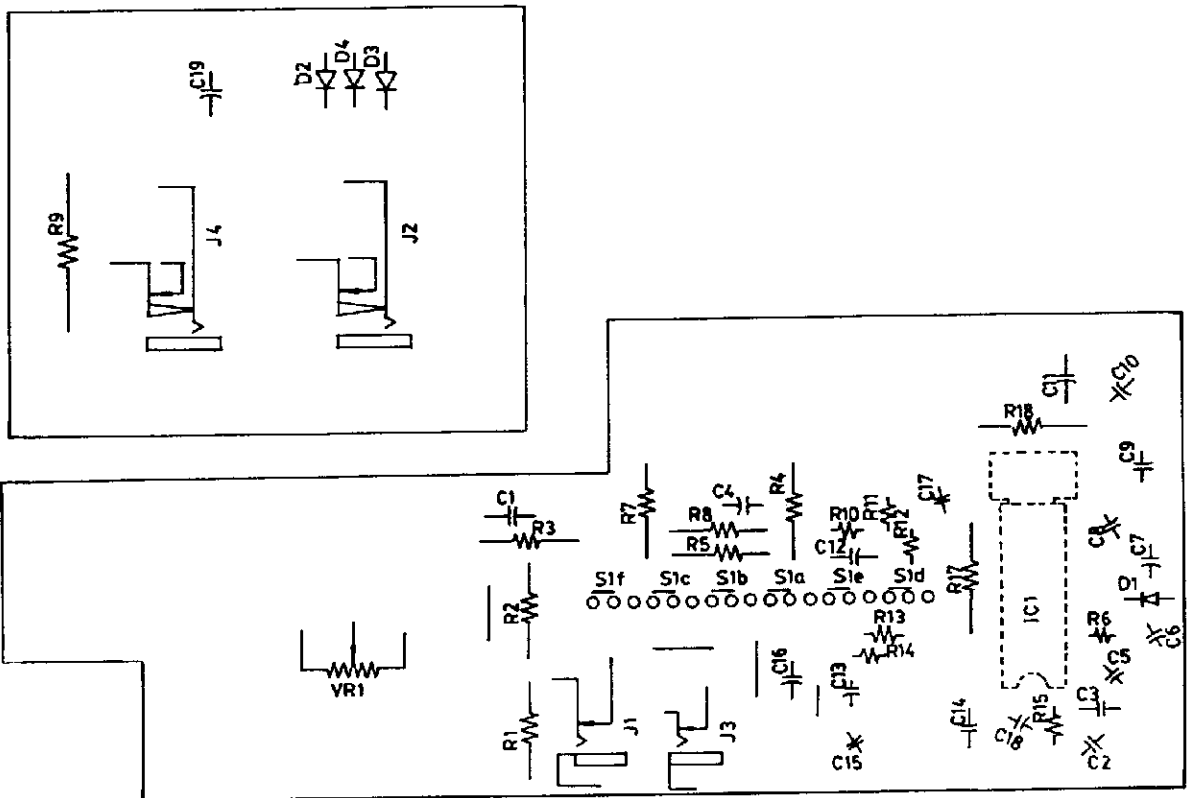
- SERVICING INSTRUCTIONS
1. UNPLUG BEFORE SERVICING
 2. REPLACE CRITICAL COMPONENTS WITH MFR RECOMMENDED PARTS
 3. CHECK WITH OHM METER FOR INFINITY FROM AC PLUG BLADES TO ALL EXPOSED METALLIC PARTS BEFORE RETURNING TO USER.

MODEL 3130C

COMPONENT SIDE LAYOUT



COPPER SIDE LAYOUT



MODEL 3130C

SERVICE PARTS

PART #	DESCRIPTION	MODEL #
600-3100-004	PLAY GEAR	3100
600-3100-006	F. F. GEAR	3100
600-3100-013	AUTO. TAPE STOP PLATE	3100
600-3100-014	AUTO. TAPE STOP	3100
600-3100-016	REC/PLAY HEAD	3100
600-3100-020	LEVER LOCK PLATE (B)	3100
600-3100-024	APS LOCK PLATE	3100
600-3100-026	REC. LEVER	3100
600-3100-027	PLAY LEVER	3100
600-3100-028	REWIND LEVER	3100
600-3100-029	F. F. LEVER	3100
600-3100-030	STOP LEVER	3100
600-3100-031	PAUSE LEVER	3100
600-3100-039	PINCH ROLLER ASSY.	3100
600-3100-043	FRAME (C)	3100
600-3100-048	SUPPLY SPINDLE	3100
600-3100-049	T. U. SPINDLE	3100
600-3100-053	IDLER ARM	3100
600-3100-054	PULLEY GEAR	3100
600-3100-059	FLYWHEEL COMPLETE	3100
600-3100-070	CASS. LOCK ARM	3100
600-3100-072	REC. SAFETY LEVER	3100
600-3100-073	PIN (A)	3100
600-3100-077	MOTOR PULLEY	3100
600-3100-079	MOTOR	3100
600-3100-080	ERASE HEAD	3100
600-3100-081	LEAF SWITCH LSA-1120-C-1	3100
600-3100-087	F. F./REW. LEVER SPRING	3100
600-3100-092	LEVER LOCK PLATE SPRING	3100
600-3100-093	RELEASE LOCK SPRING	3100
600-3100-096	CASS. LOCK ARM SPRING	3100
600-3100-101	APS LOCK PLATE SPRING	3100
600-3100-104	MAIN DRIVE BELT	3100
600-3100-121	WASHER 1.6 x 3.2 x 10.25	3100
600-3100-201	CASE TOP	3100
600-3100-202	CASSETTE LID	3100
600-3100-203	COUNTER ESCUTCHEON	3100
600-3100-204	FUNCTION ESCUTCHEON	3100
600-3100-205	RED KEYS	3100
600-3100-206	BLACK KEYS	3100
600-3100-207	CASE BOTTOM	3100
600-3100-209	VARIABLE SPEED /REM/MIC	3100
600-3100-210	HEADPHONE, EXT/JACK	3100
600-3100-211	HEADPHONE JACKS	3100
600-3100-213	SPEAKER	3100
600-3100-219	MAIN P. C. B.	3100
600-3100-220	VOLUME CONTROL/KNOB	3100
600-3100-221	MIC JACK	3100
600-3100-222	REM JACK	3100
600-3100-228	CASE SCREWS	3100
600-3100-232	CASSETTE LID SPRING	3100

— CALIFONE

21300 SUPERIOR STREET
 CHATSWORTH, CA 91311-4312
 TEL: (800) 722-0500, FAX: (818) 407-2405

P.O. BOX 69250
 VANCOUVER, B.C. V5K 4W5
 TEL: (604) 254-5148, FAX: (604) 254-9944