

- J1  
KFE 143-8
- J2  
KFE 143-8
- J3  
KFE 143-8
- J4  
KFE 143-8
- J5  
KFE 143-8

## BRYSTON

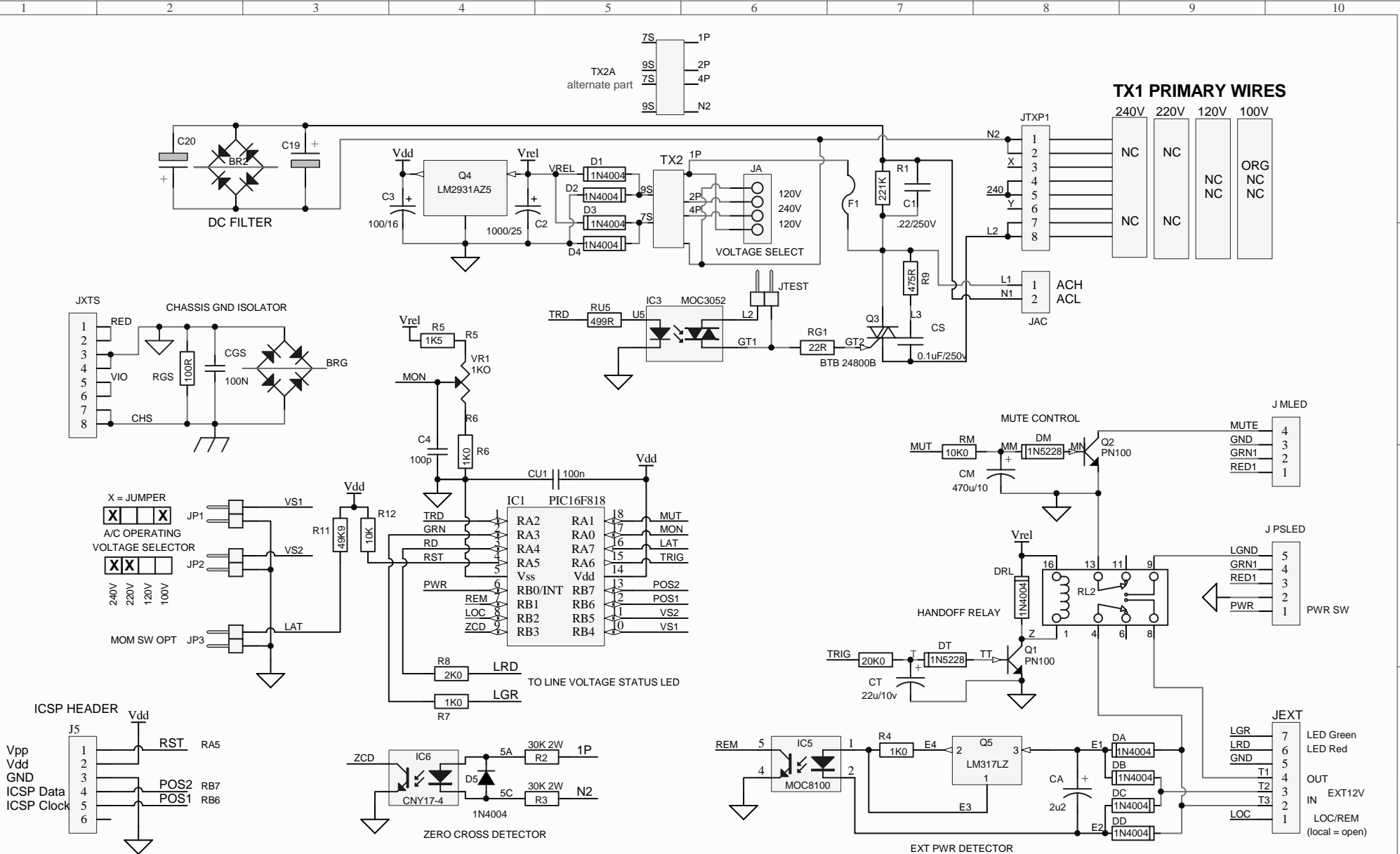
LTD  
P.O. BOX 2170, 677 NEAL DR. PETERBOROUGH, ON. CANADA K9J 7Y4  
PHONE (705) 742-5325 FAX (705) 742-0882 WWW.BRYSTON.CA

---

Title : **28B SST POWER BOARD**

File : \_\_\_\_\_ Sheet : **1** of \_\_\_\_\_ Rev : **4**

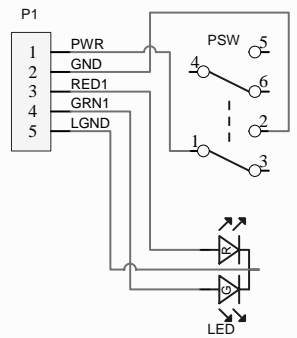
Date : \_\_\_\_\_ Drawn : \_\_\_\_\_



**DRYSTON** LTD  
 PHONE (705) 742-5325 FAX (705) 742-0882 WWW.DRYSTON.CA

Size : **A**

Title : <b>28B SST Micro Soft Start</b>		Rev : <b>R8</b>	
File :	Sheet :		of
Date :	Drawn :		



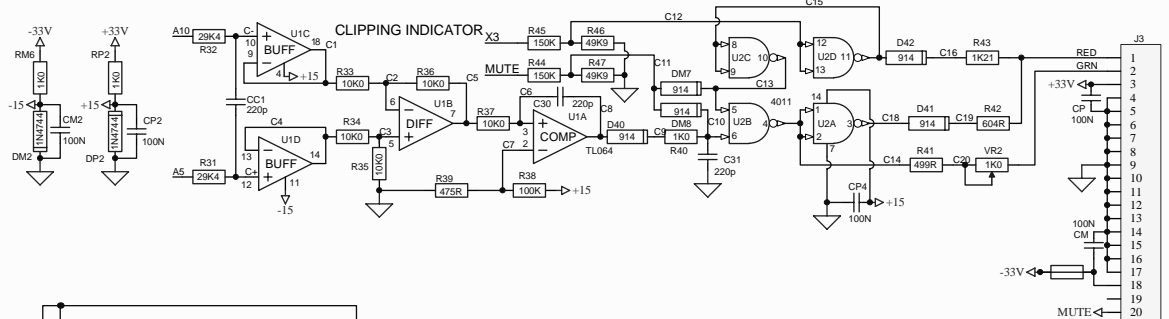
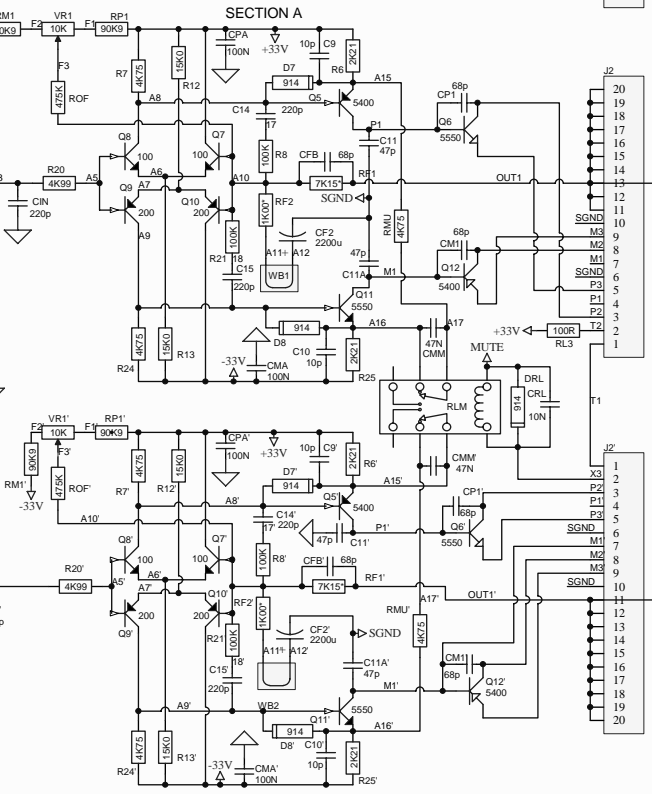
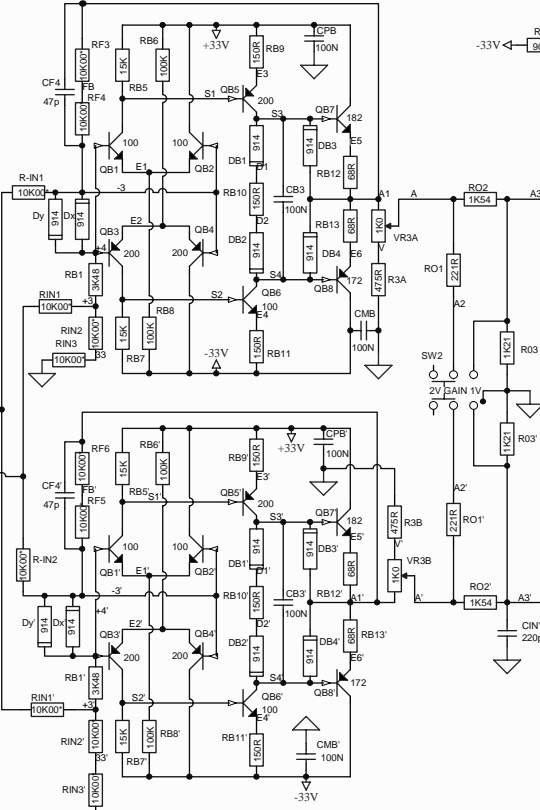
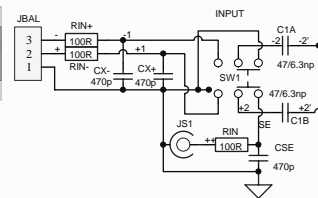
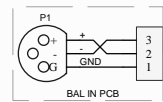
440x1/4" PAN HEAD



**BRYSTON** LTD

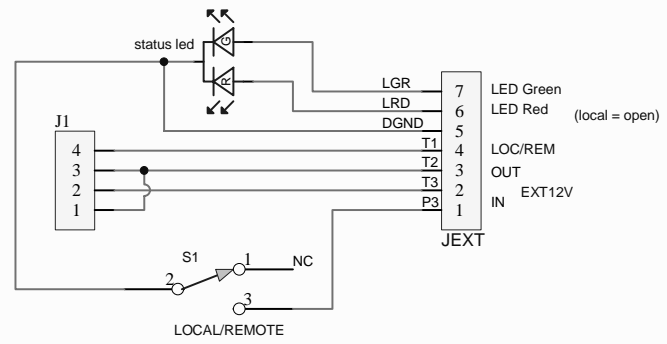
P.O. BOX 2170, 677 NEAL DR. PETERBOROUGH, ON. CANADA K9J 7Y4  
 PHONE (705) 742-5325 FAX (705) 742-0882 WWW.BRYSTON.CA


Title :	<b>28B LED PWR SW</b>		
File :	Sheet :1	of	Rev : 1
Date :	Drawn :		



ECO 956 - Oct 2, 2007  
 L2 changed to 1uH - pn - cc120-1M  
 CPl, CP1' and CM1, CM1' changed to 68pF - pn - ca880G25COGH63J5

		<b>B</b> Size :
<b>28B IN OUT SCHEMATIC</b>		
File : 28BSST IN OUT SCH R5	Sheet : of	
Date : Oct 2, 2007	Drawn : ST	Rev : 5



 <b>BRYSTON</b> LTD <small>P.O. BOX 2170, 677 NEAL DR. PETERBOROUGH, ON. CANADA K9J 7Y4          PHONE (705) 742-5325 FAX (705) 742-0882 WWW.BRYSTON.CA</small>	
Title :	<b>28B EXT POWER R1</b>
File :	Sheet : <b>1</b> of Rev : <b>1</b>
Date :	Drawn :

1 2 3 4 5 6 7 8 9 10

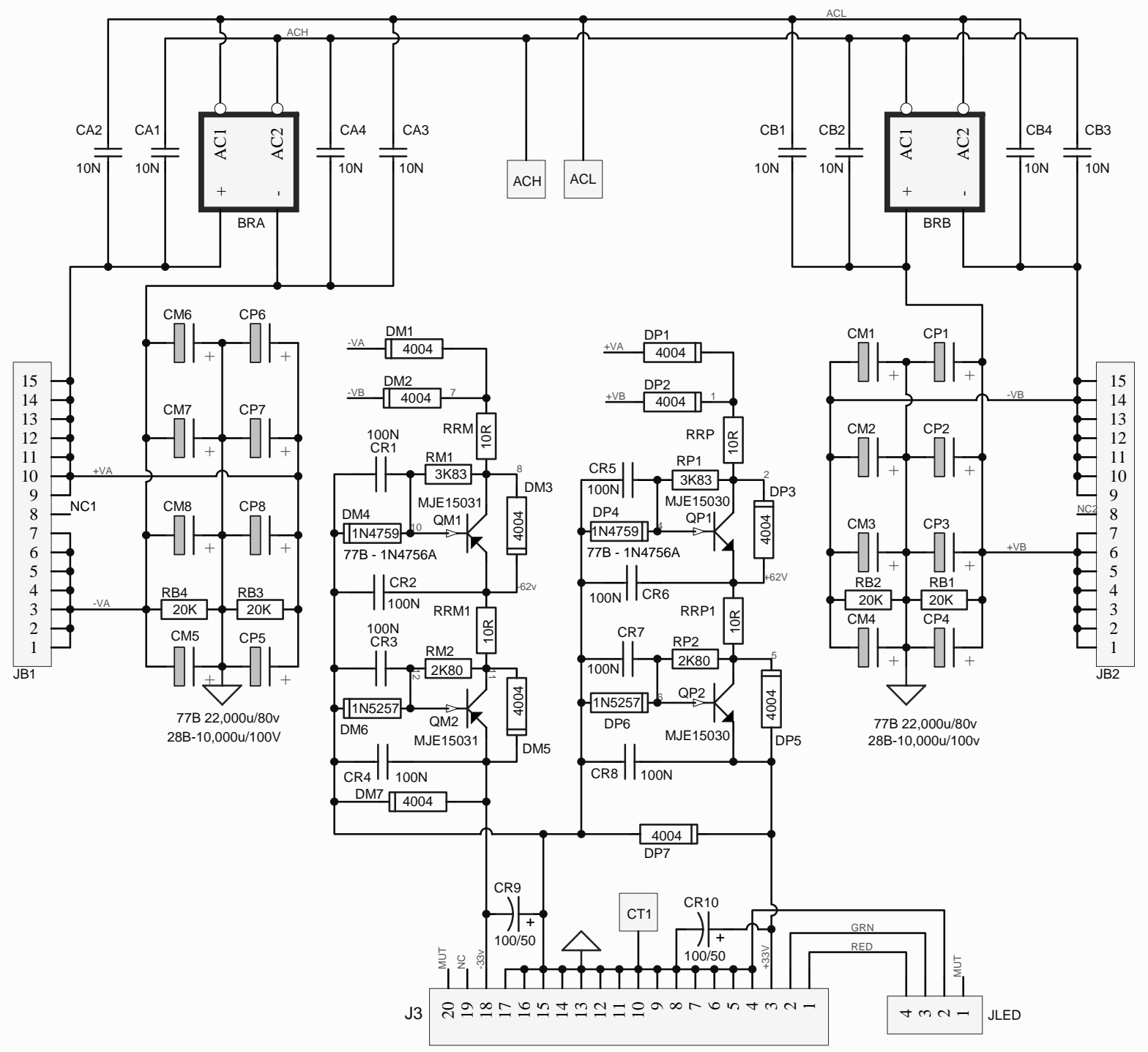
A A

B B

C C

D D

E E



H1 H2 H3 H4 H5 H6

**BRYSTON** LTD  
 P.O. BOX 2170, 677 NEAL DR. PETERBOROUGH, ON. CANADA K9J 7Y4  
 PHONE (705) 742-5325 FAX (705) 742-0882 WWW.BRYSTON.CA

Title :	<b>28B POWER SUPPLY PSB R3</b>		
File :	Sheet : 1 of	Rev : 5	
Date :	Drawn :		

1 2 3 4 5 6 7 8 9 10