



WE SIMPLY SOUND BETTER.

Reference 30

SERVICE MANUAL

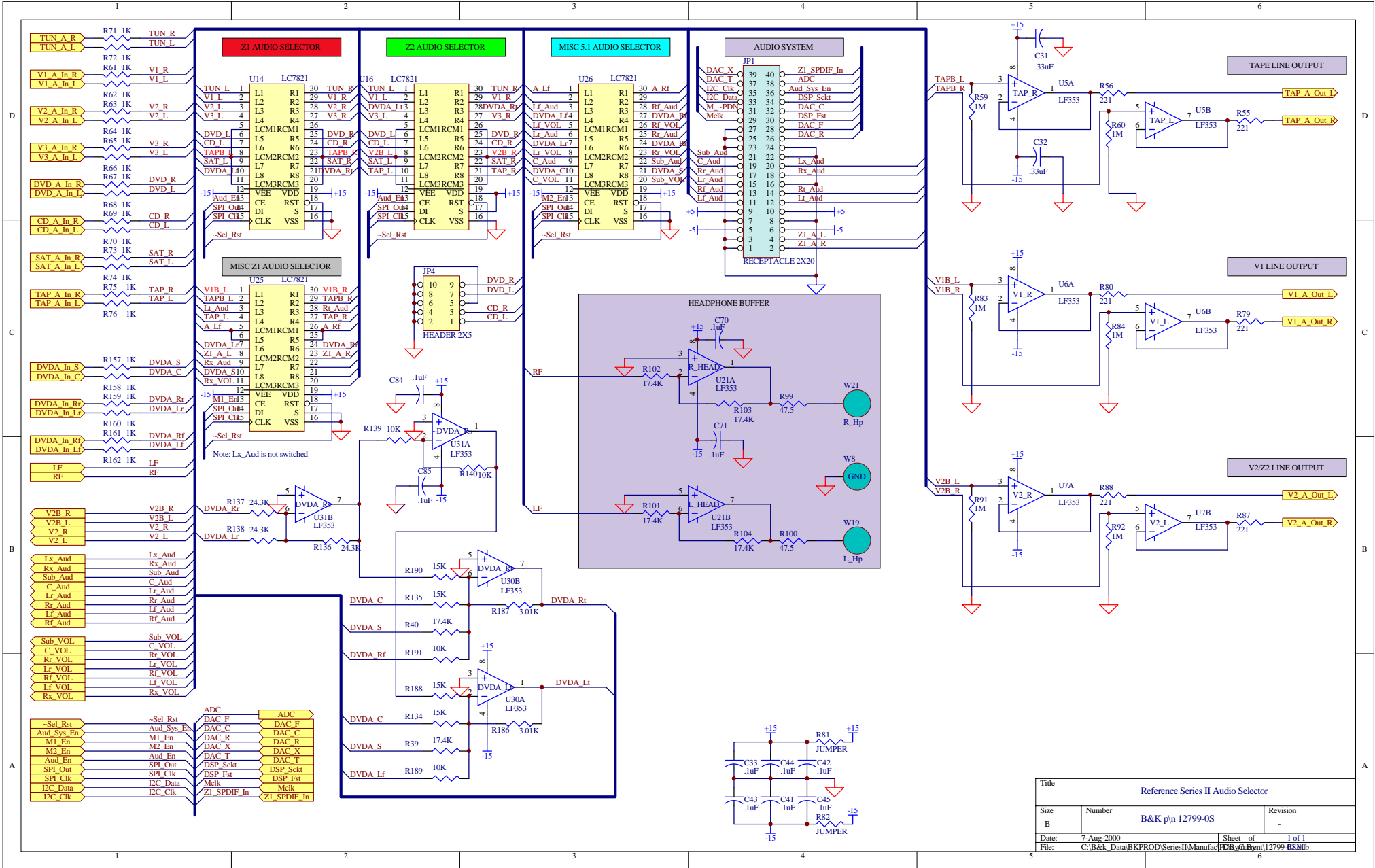
B&K COMPONENTS, LTD.
2100 Old Union Road
Buffalo, New York 14227-2725
U.S.A.

B & K

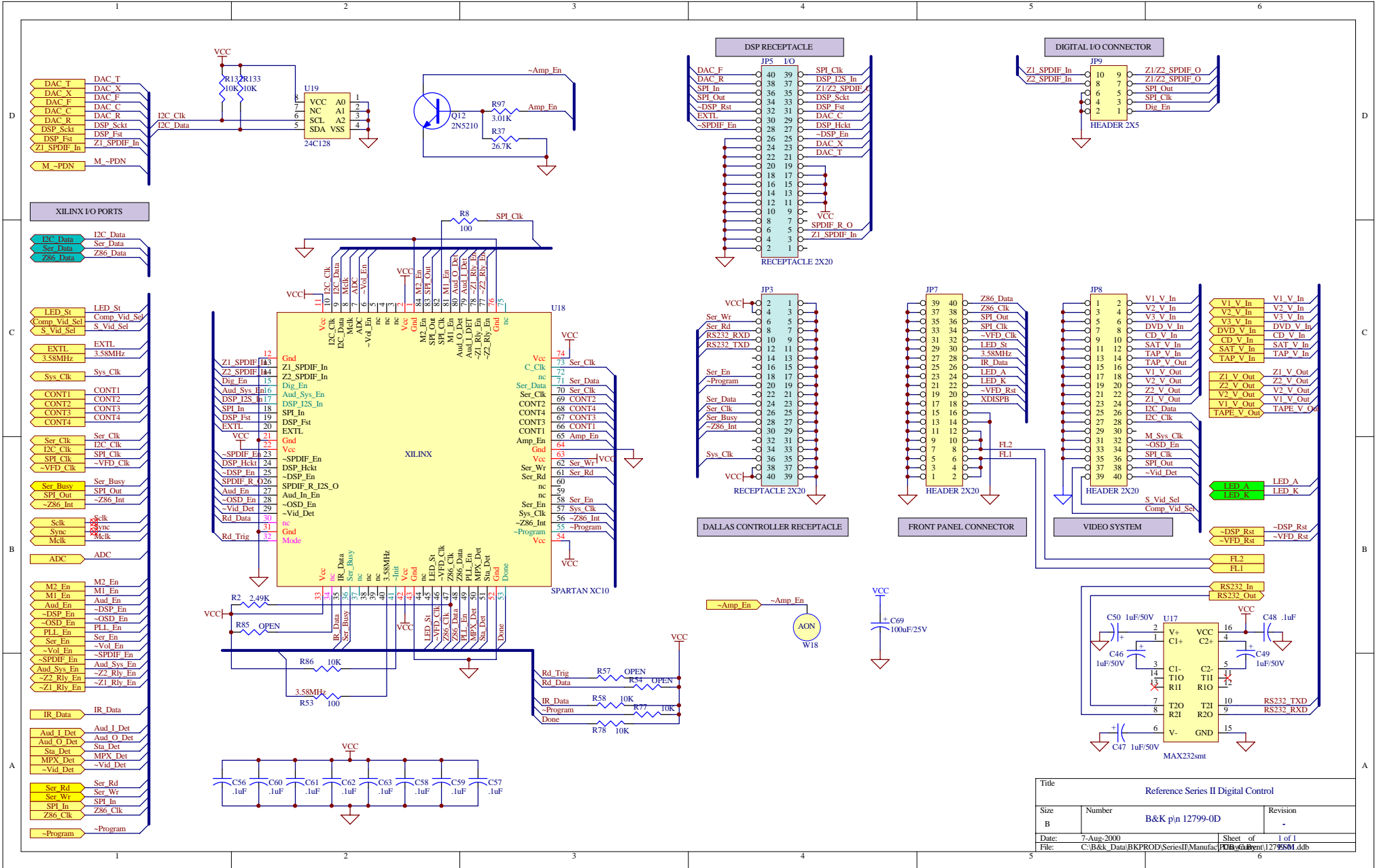
WE SIMPLY SOUND BETTER.

Schematics

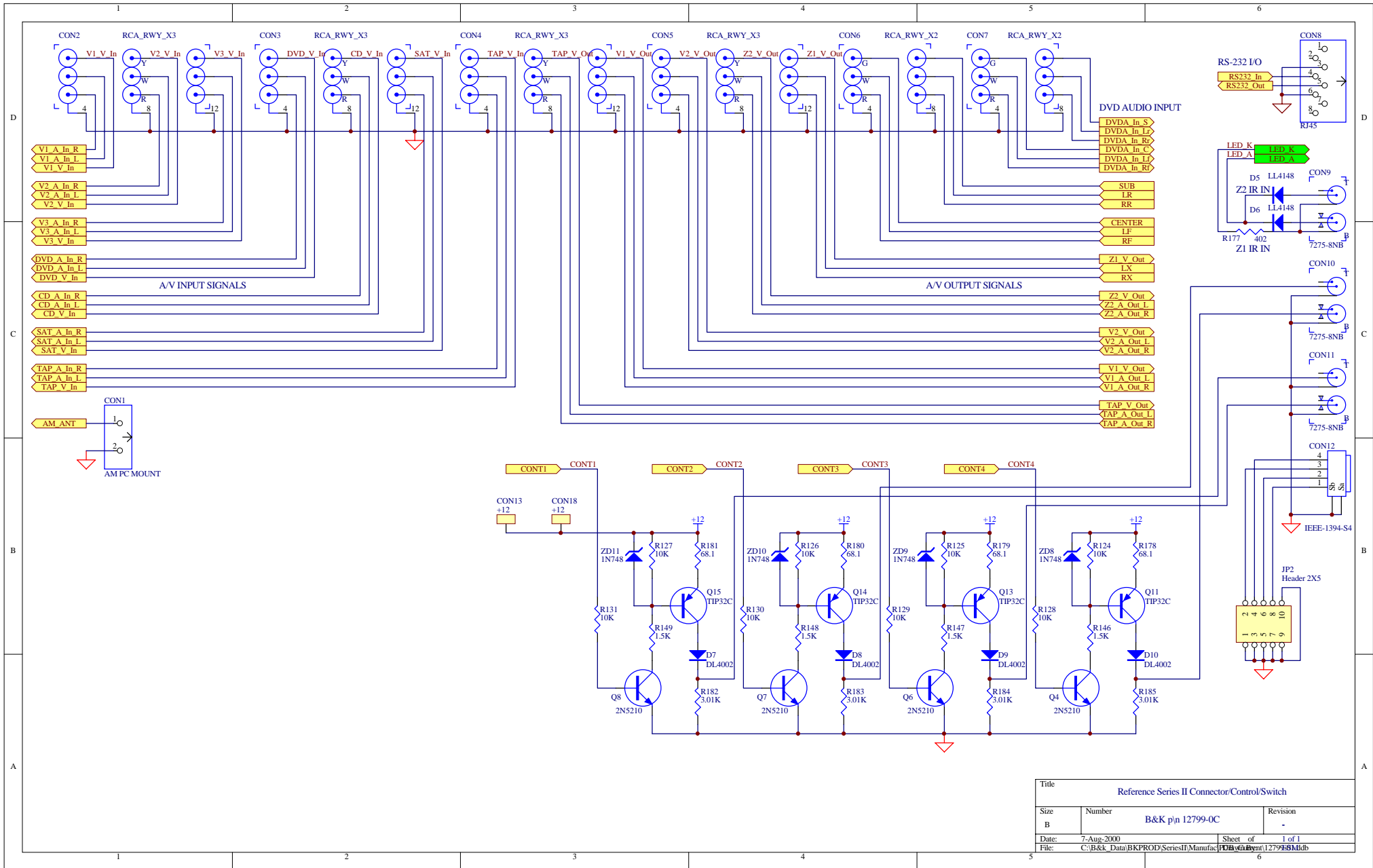
B&K COMPONENTS, LTD.
2100 Old Union Road
Buffalo, New York 14227-2725
U.S.A.



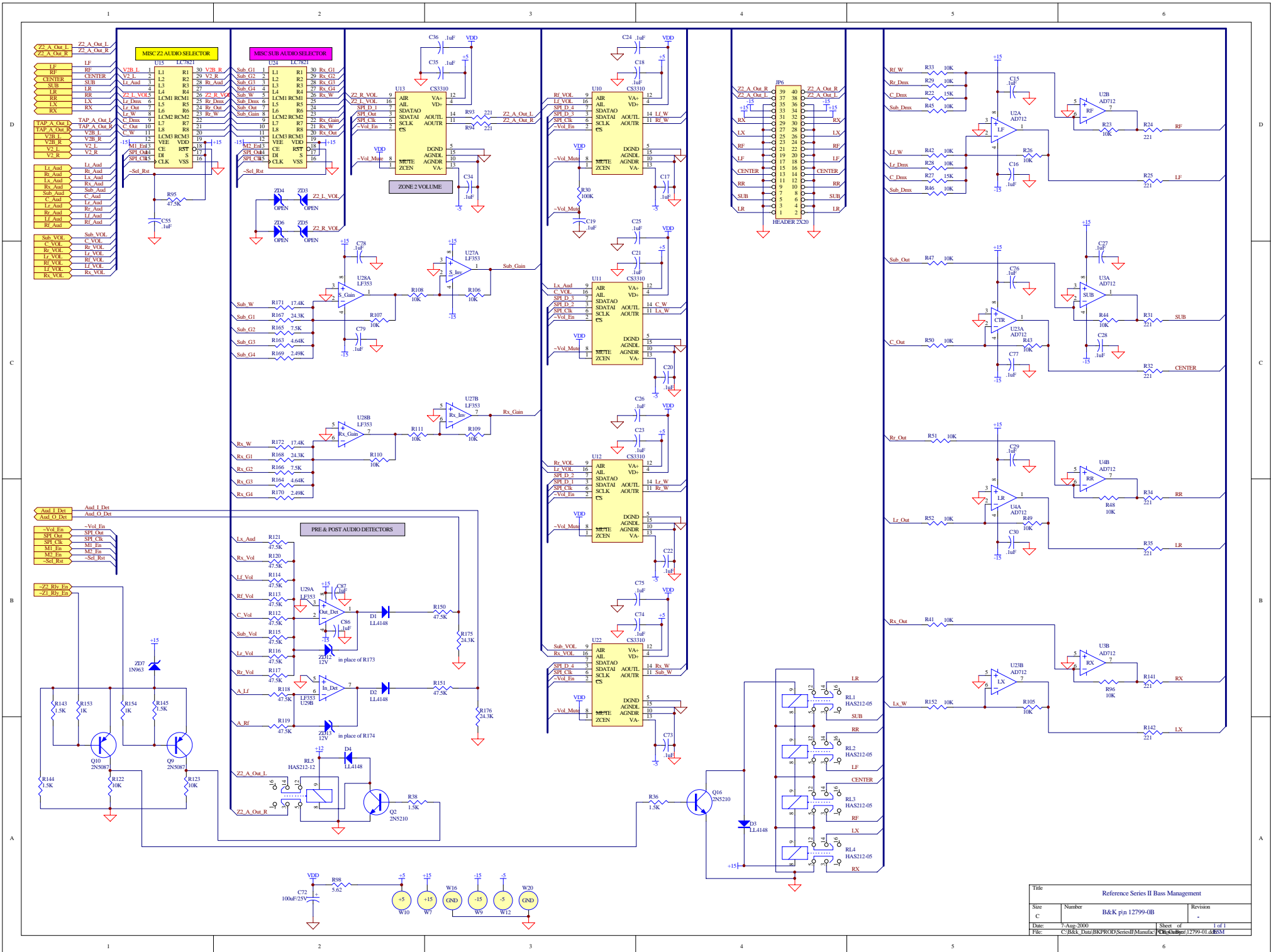
Title			
Reference Series II Audio Selector			
Size	Number	B&K p/n 12799-0S	Revision
B			-
Date:	7-Aug-2000	Sheet of	1 of 1
File:	C:\B&K_Data\BKPROD\SeriesII\Manufact\PCB\12799-0S.Mtb	PCB	12799-0S.Mtb



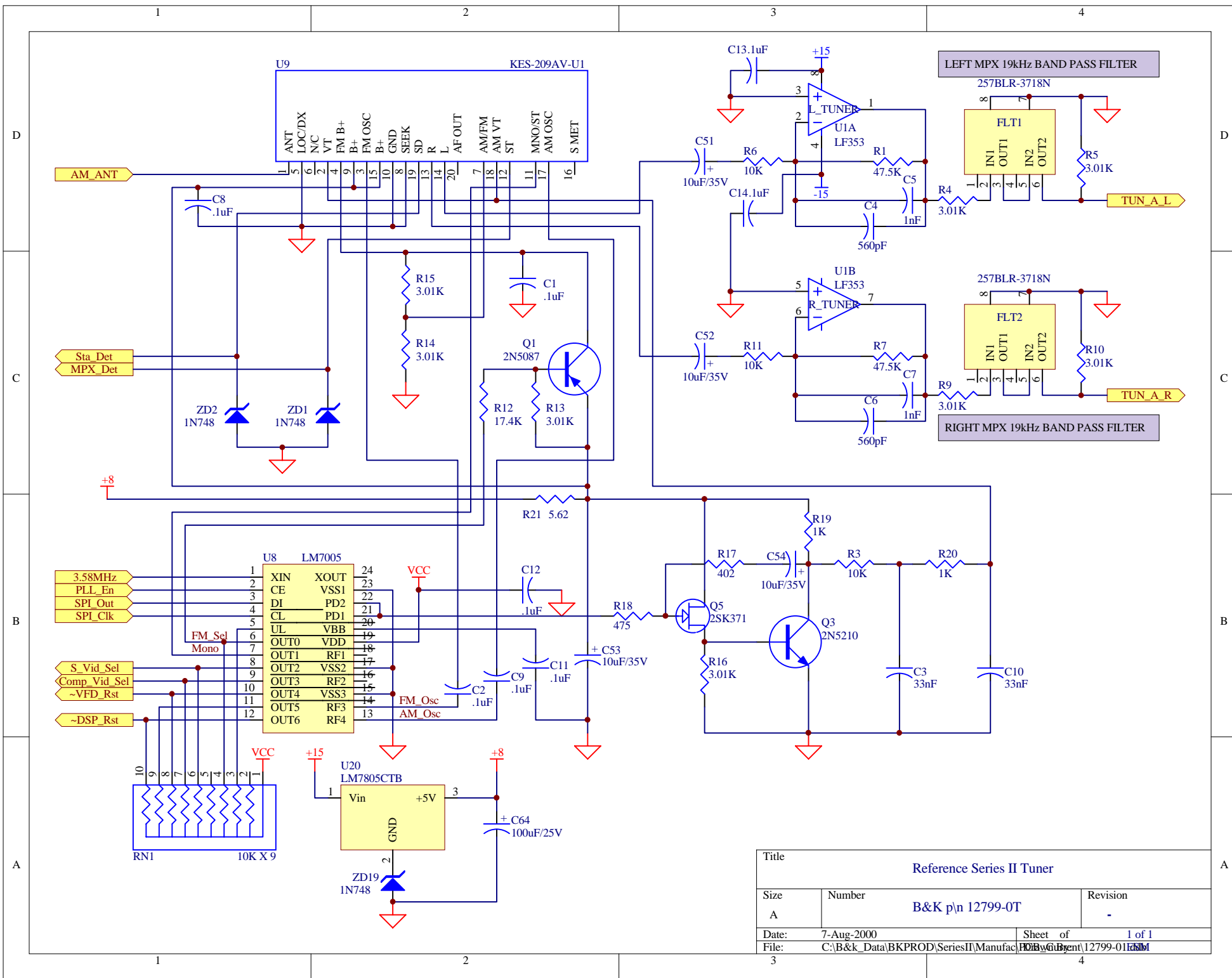
Title		
Reference Series II Digital Control		
Size B	Number	Revision
	B&K p/n 12799-0D	-
Date:	7-Aug-2000	Sheet of 1 of 1
File:	C:\B&K_Data\BKPROD\SeriesII\Manufact\PCB\cb12799-0D.ddb	



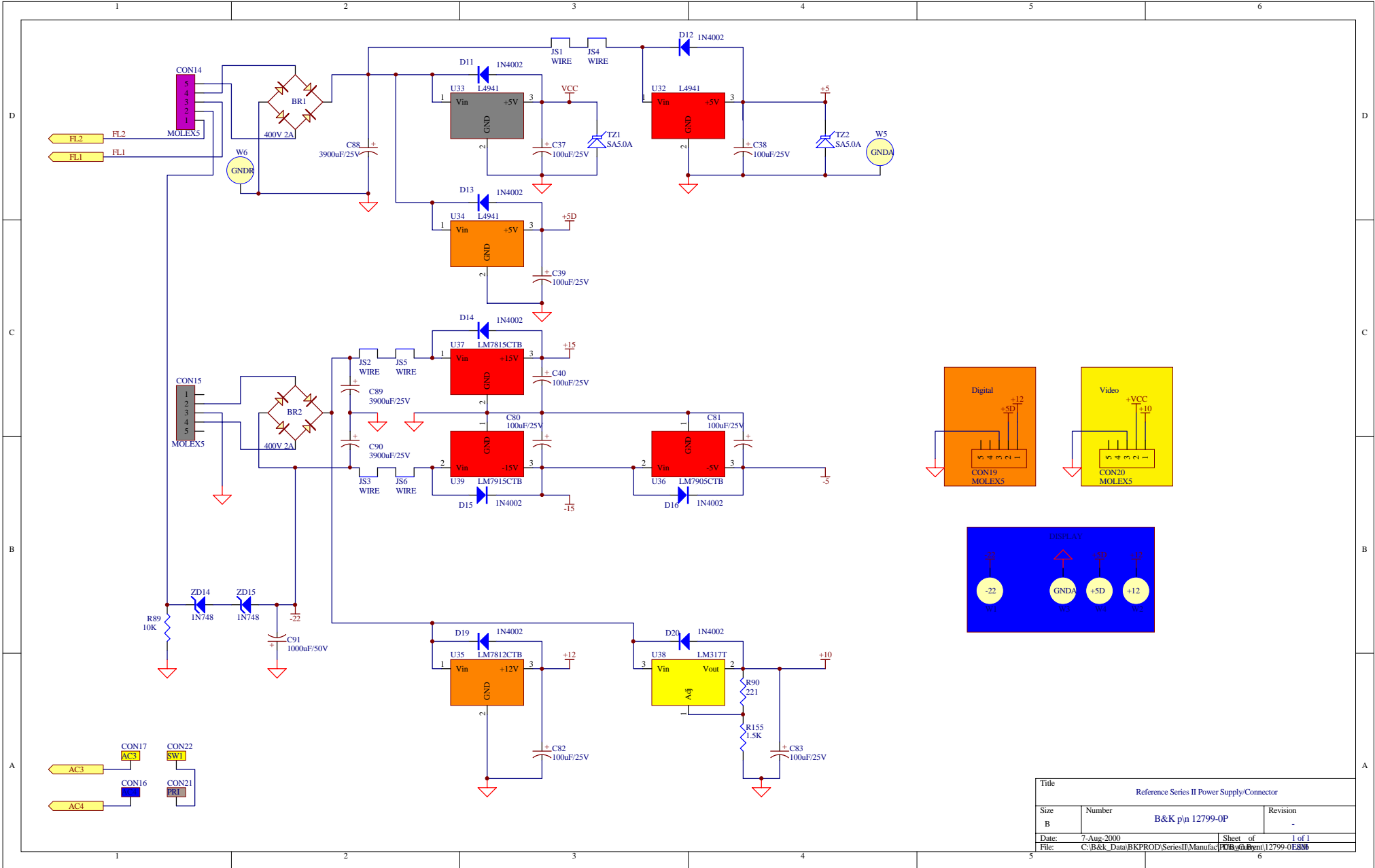
Title			
Reference Series II Connector/Control/Switch			
Size	Number	B&K p/n 12799-0C	Revision
B			-
Date:	7-Aug-2000	Sheet of	1 of 1
File:	C:\B&K_Data\BKPROD\SeriesII\Manufact\PCB\Layout\12799-0C.dtb	PCB	12799-0C.dtb



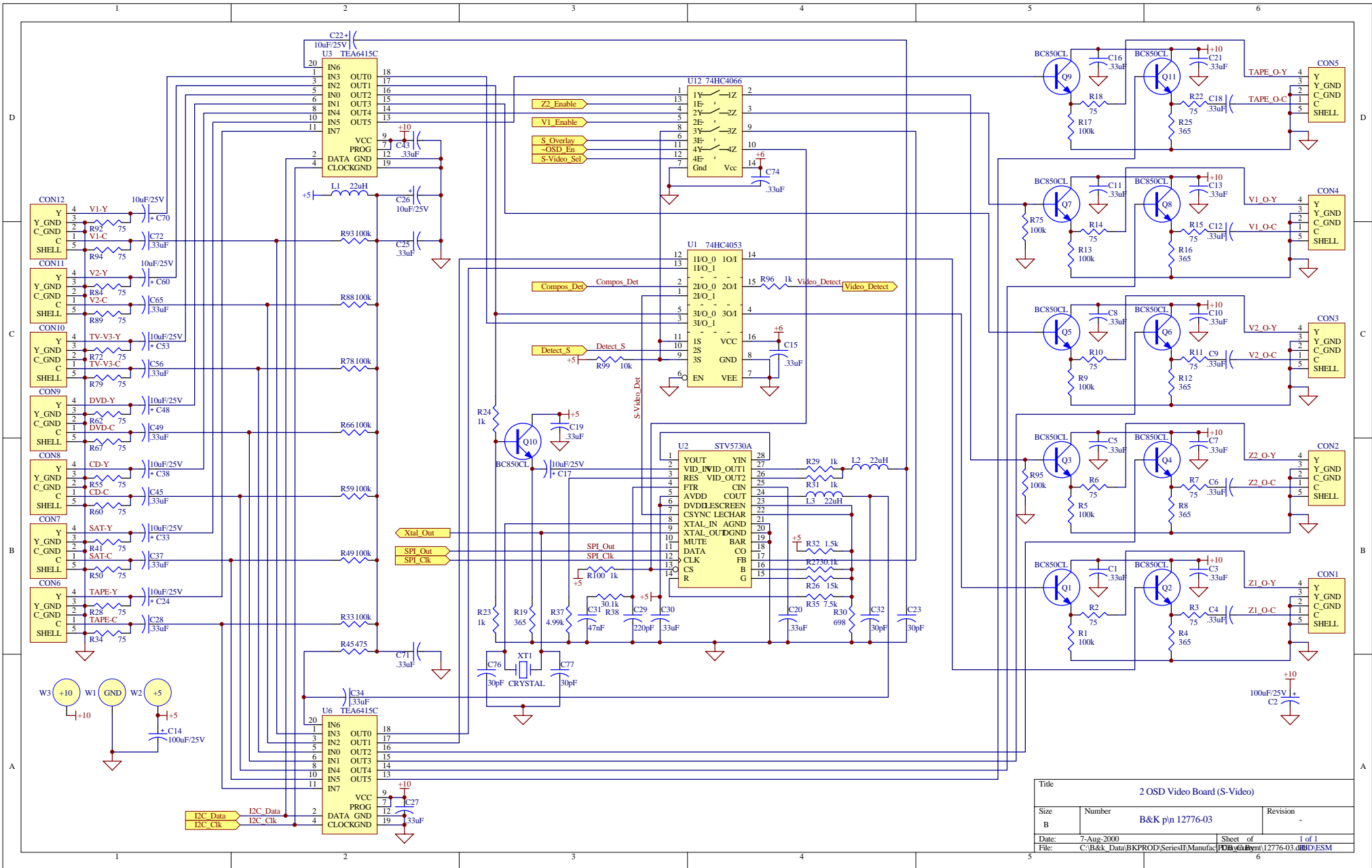
Title				
Reference Series II Bass Management				
Size	Number	B&K pin 12799-0B	Revision	-
C				
Date:	7 Aug 2000	Sheet 01	1 of 1	
File:	C:\B&K_13m\BKP\PROJ\SeriesII\Manufact\B&K\BassMgmt12799-01.dBSS1			



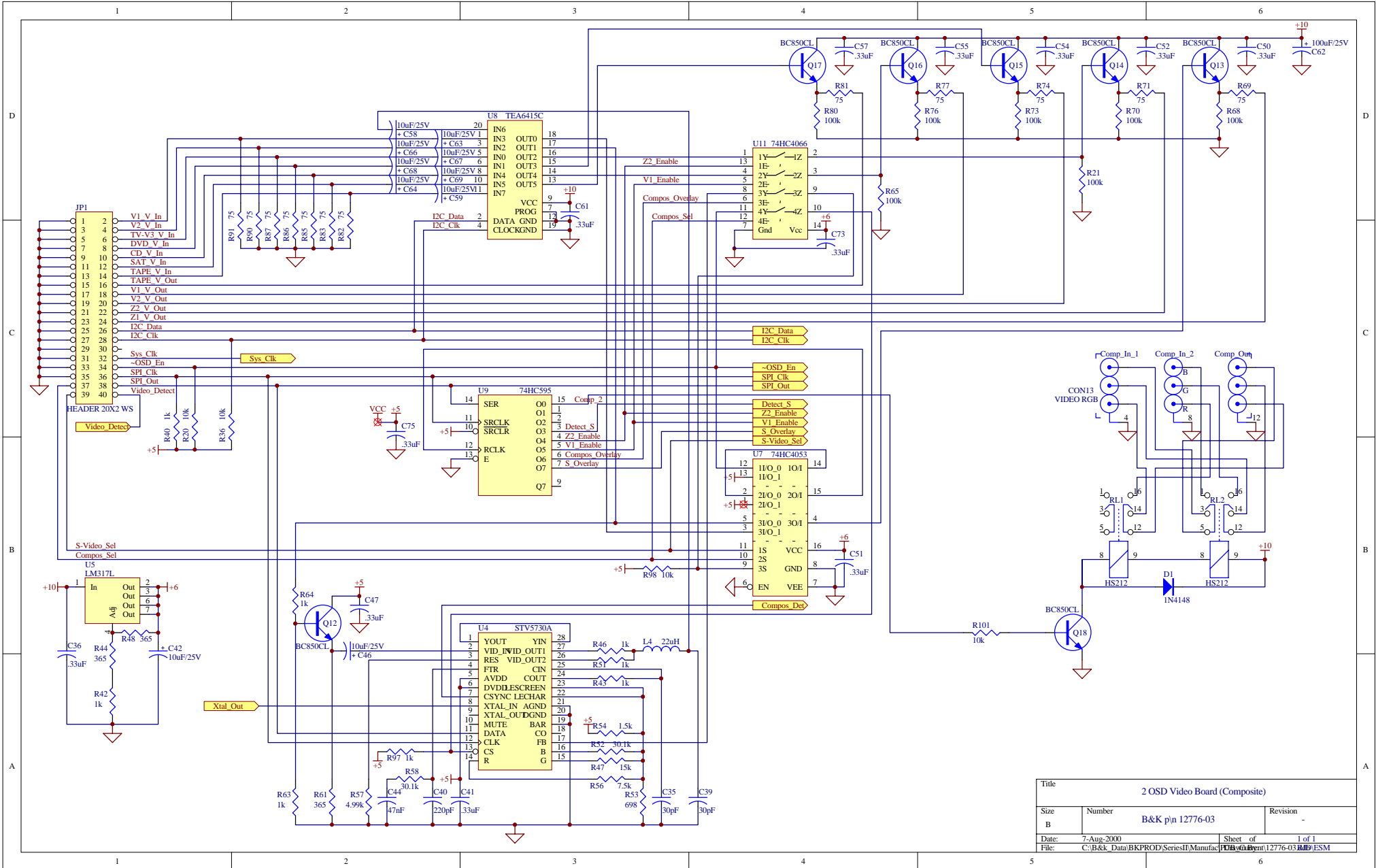
Title			Reference Series II Tuner
Size	Number	B&K p/n 12799-0T	
A		Revision	-
Date:	7-Aug-2000	Sheet of	1 of 1
File:	C:\B&k_Data\BKPROD\SeriesII\Manufact\12799-01.tbl		



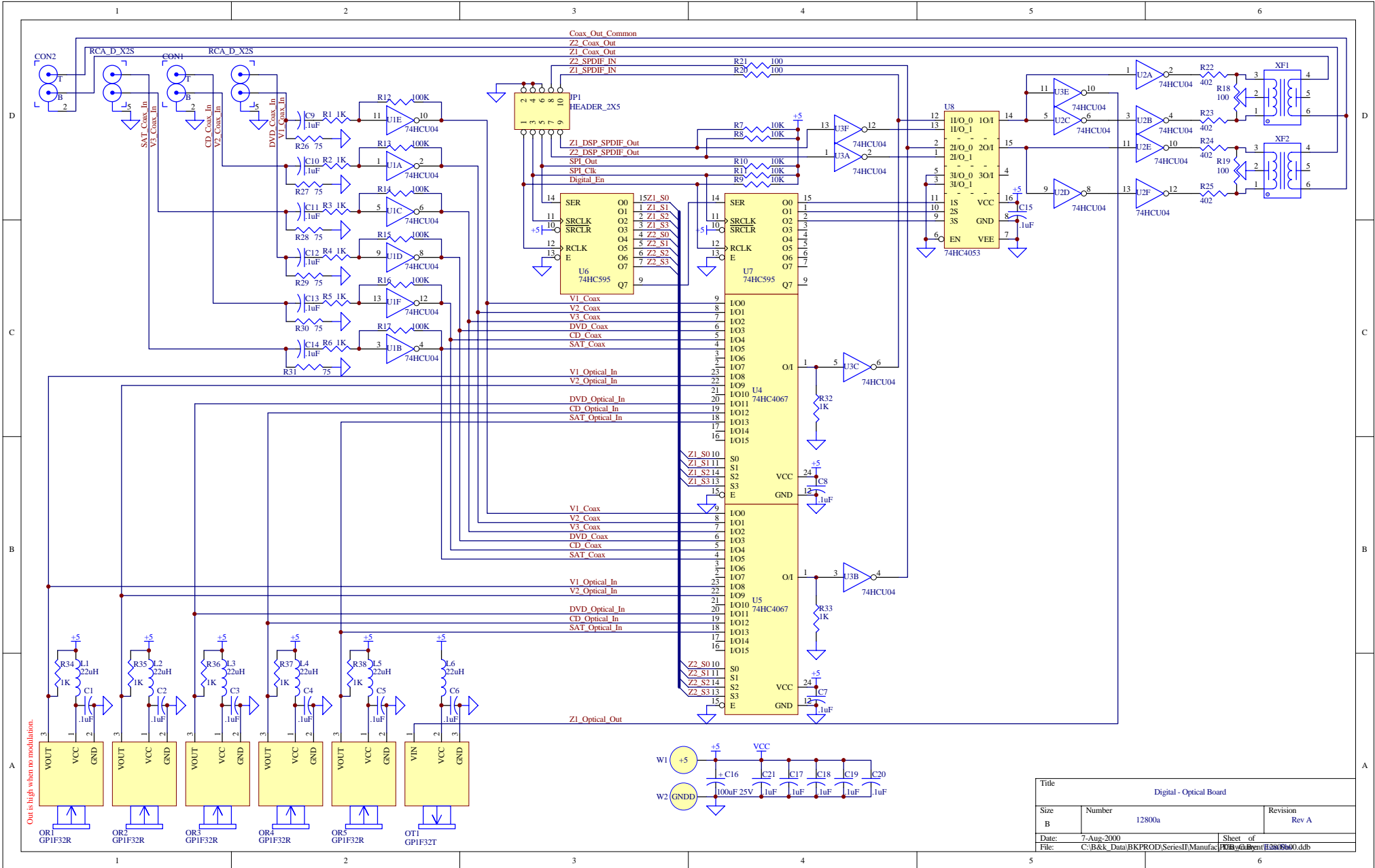
Title		
Reference Series II Power Supply/Connector		
Size	Number	Revision
B	B&K p/n 12799-0P	-
Date:	7-Aug-2000	Sheet of 1 of 1
File:	C:\B&K_Data\BKPROD\SeriesII\Manufact\PCB\Layout\12799-0E288	



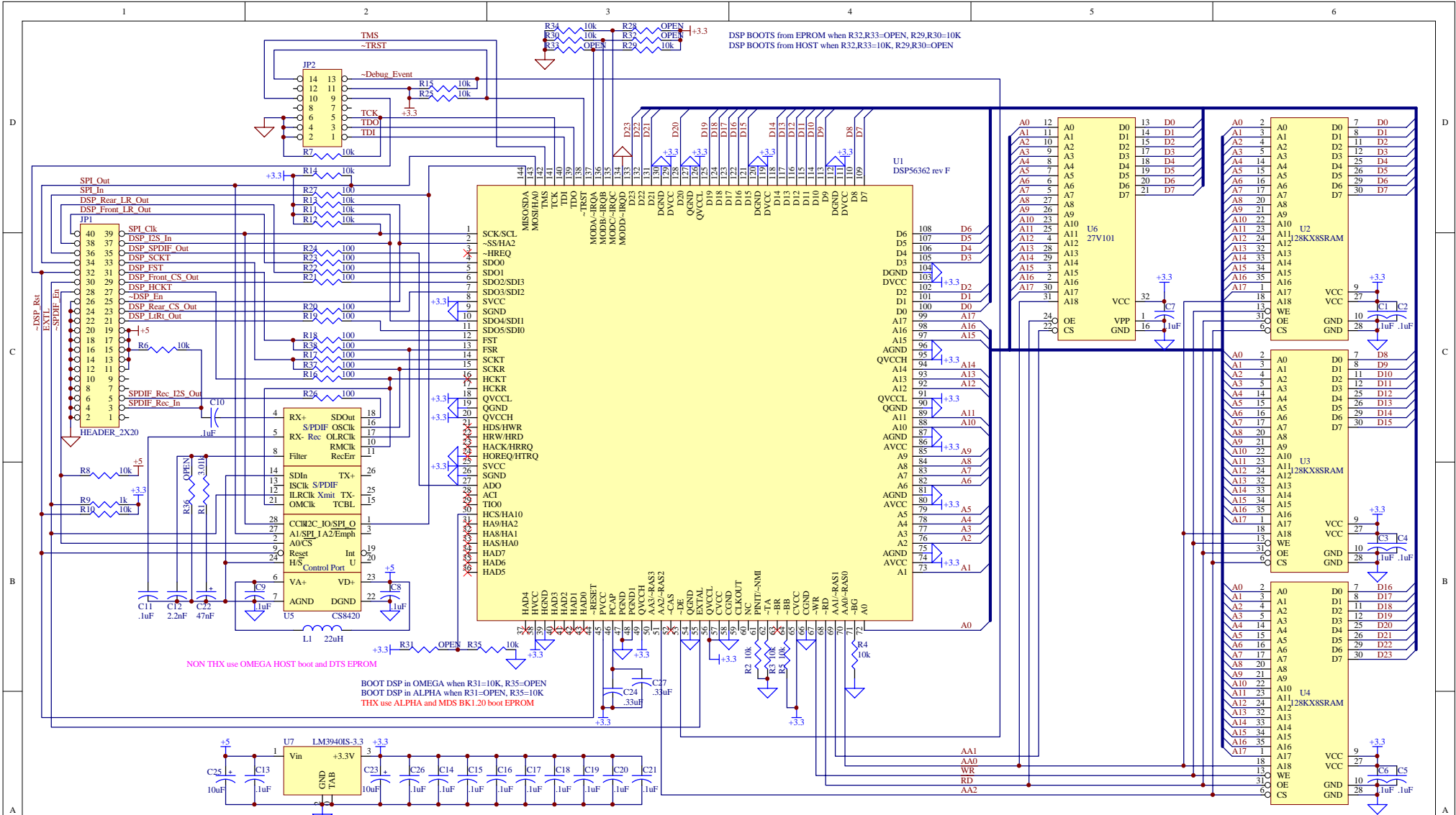
Title		2 OSD Video Board (S-Video)	
Size	Number	B&K p/n 12776-03	
B		Revision -	
Date:	7-Aug-2000	Sheet of	1 of 1
File:	C:\B&K_Data\BKPROD\SeriesI\Manufact\PCB\12776-03.DBD	File:	12776-03.DBD



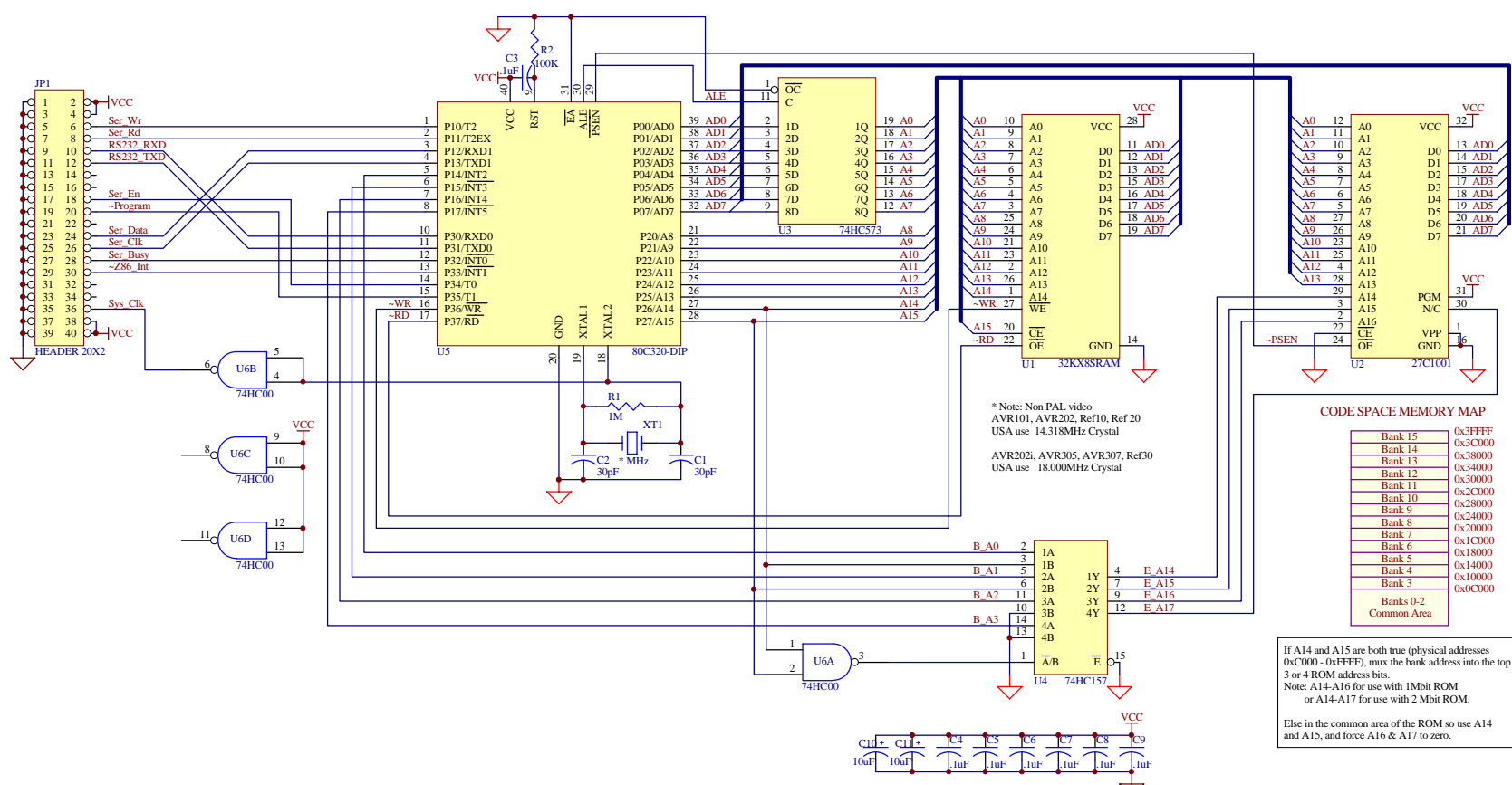
Title			
2 OSD Video Board (Composite)			
Size	Number	Revision	
B	B&K p/n 12776-03	-	
Date:	7-Aug-2000	Sheet of	1 of 1
File:	C:\B&K_Data\BKPROD\SeriesI\Manufact\PCB\Layout\12776-03\B9_ESM	PCB Layout	12776-03 B9_ESM



Title		
Digital - Optical Board		
Size	Number	Revision
B	12800a	Rev A
Date:	7-Aug-2000	Sheet of
File:	C:\B&K_Data\BKPROD\Series\F1\Manufact\PCB\G1\Bent\13800800.ddb	



Title		
B&K DSP56362 DSP board		
Size	Number	Revision
B	12796	A
Date:	7-Aug-2000	Sheet of 1 of 1
File:	C:\B&K_Data\BKPROD\SeriesI\Manufact\PCB\B&K\Bent\12796\ID_85M	

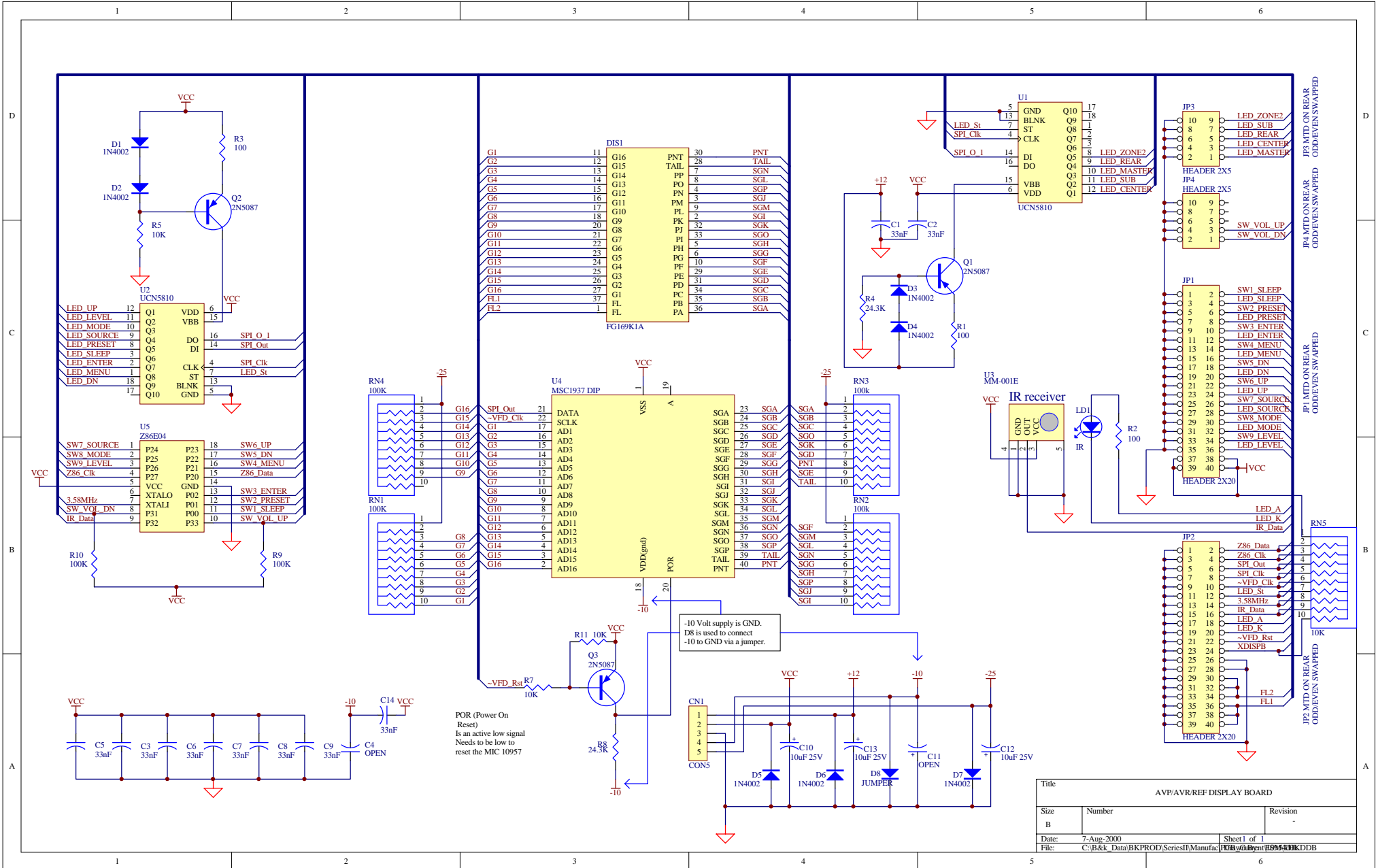


* Note: Non PAL video
 AVR101, AVR202, Ref10, Ref20
 USA use 14.318MHz Crystal
 AVR202i, AVR305, AVR307, Ref30
 USA use 18.000MHz Crystal

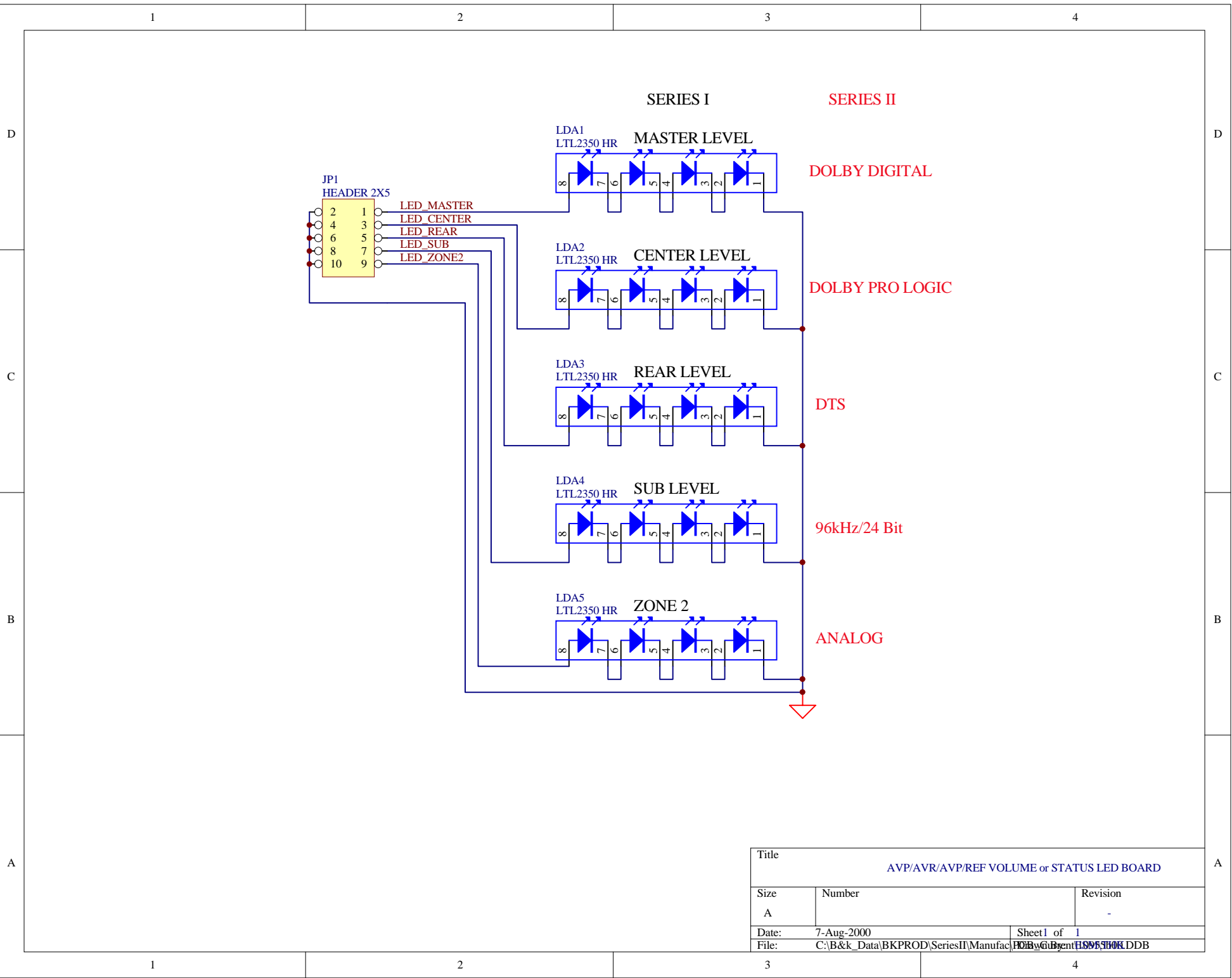
CODE SPACE MEMORY MAP

Bank 15	0x3FFFF
Bank 14	0x3C000
Bank 13	0x38000
Bank 12	0x34000
Bank 11	0x30000
Bank 10	0x2C000
Bank 9	0x28000
Bank 8	0x24000
Bank 7	0x20000
Bank 6	0x1C000
Bank 5	0x18000
Bank 4	0x14000
Bank 3	0x10000
Bank 2	0x0C000
Common Area	

If A14 and A15 are both true (physical addresses 0xC000 - 0xFFFF), mux the bank address into the top 3 or 4 ROM address bits.
 Note: A14-A16 for use with 1Mbit ROM or A14-A17 for use with 2 Mbit ROM.
 Else in the common area of the ROM so use A14 and A15, and force A16 & A17 to zero.



Title			AVP/AVR/REF DISPLAY BOARD		
Size	Number	Revision			
B					
Date:	7-Aug-2000	Sheet 1 of 1			
File:	C:\B&K_Data\BKPROD\SeriesI\Manufac\PCB\618\BSP541K.DDB				



Title		
AVP/AVR/AVP/REF VOLUME or STATUS LED BOARD		
Size	Number	Revision
A		-
Date:	7-Aug-2000	Sheet 1 of 1
File:	C:\B&k_Data\BKPROD\SeriesII\Manufact\LED Board\10053101.DDB	

1

2

3

4

D

D

C

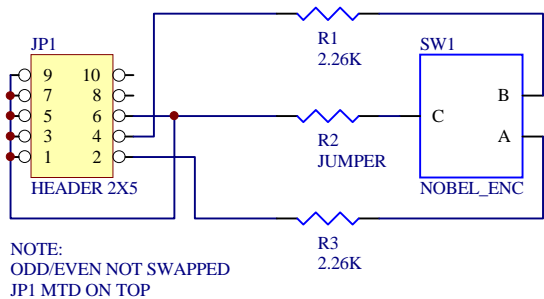
C

B

B

A

A



NOTE:
 ODD/EVEN NOT SWAPPED
 JP1 MTD ON TOP

Title		
AVP/AVR/REF/TP ROTARY ENCODER BOARD		
Size	Number	Revision
A		A
Date:	7-Aug-2000	Sheet 1 of 1
File:	C:\B&k_Data\BKPROD\SeriesII\Manufact\PCB\Gubent\12760a00.DDB	

1

2

3

4