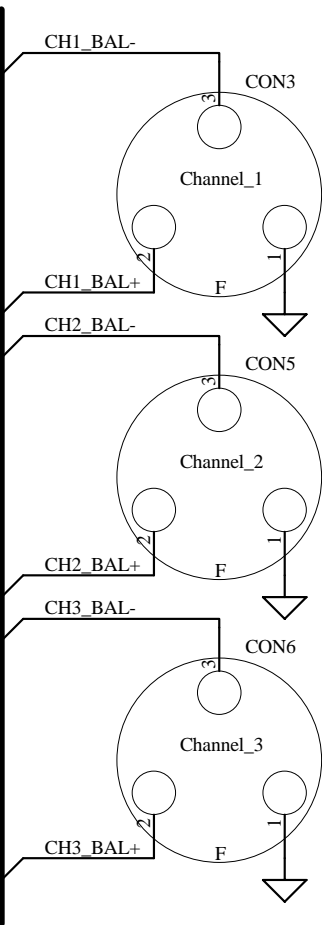
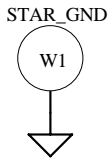
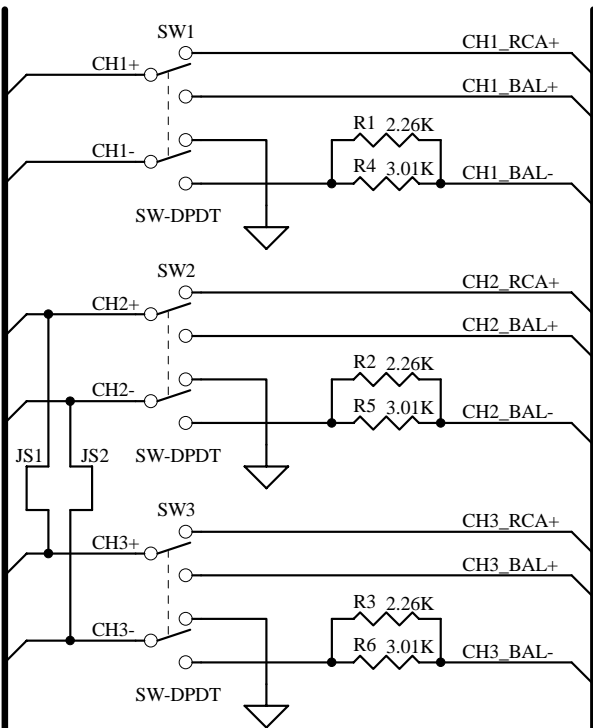
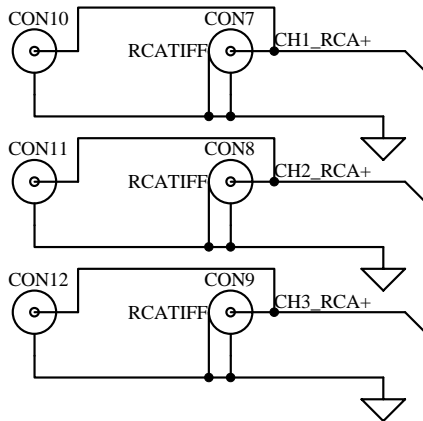
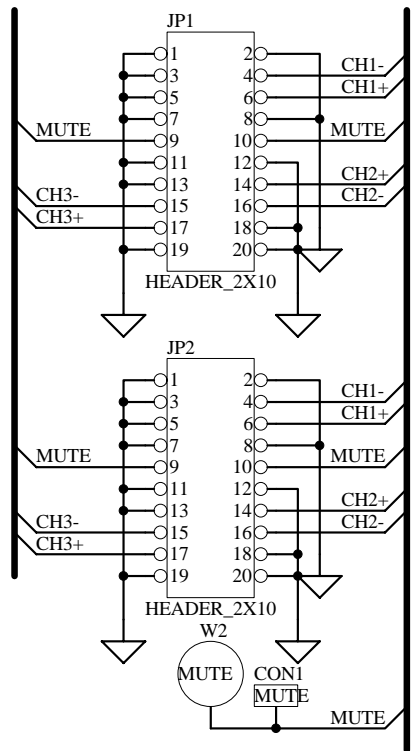


B&K COMPONENTS LTD.

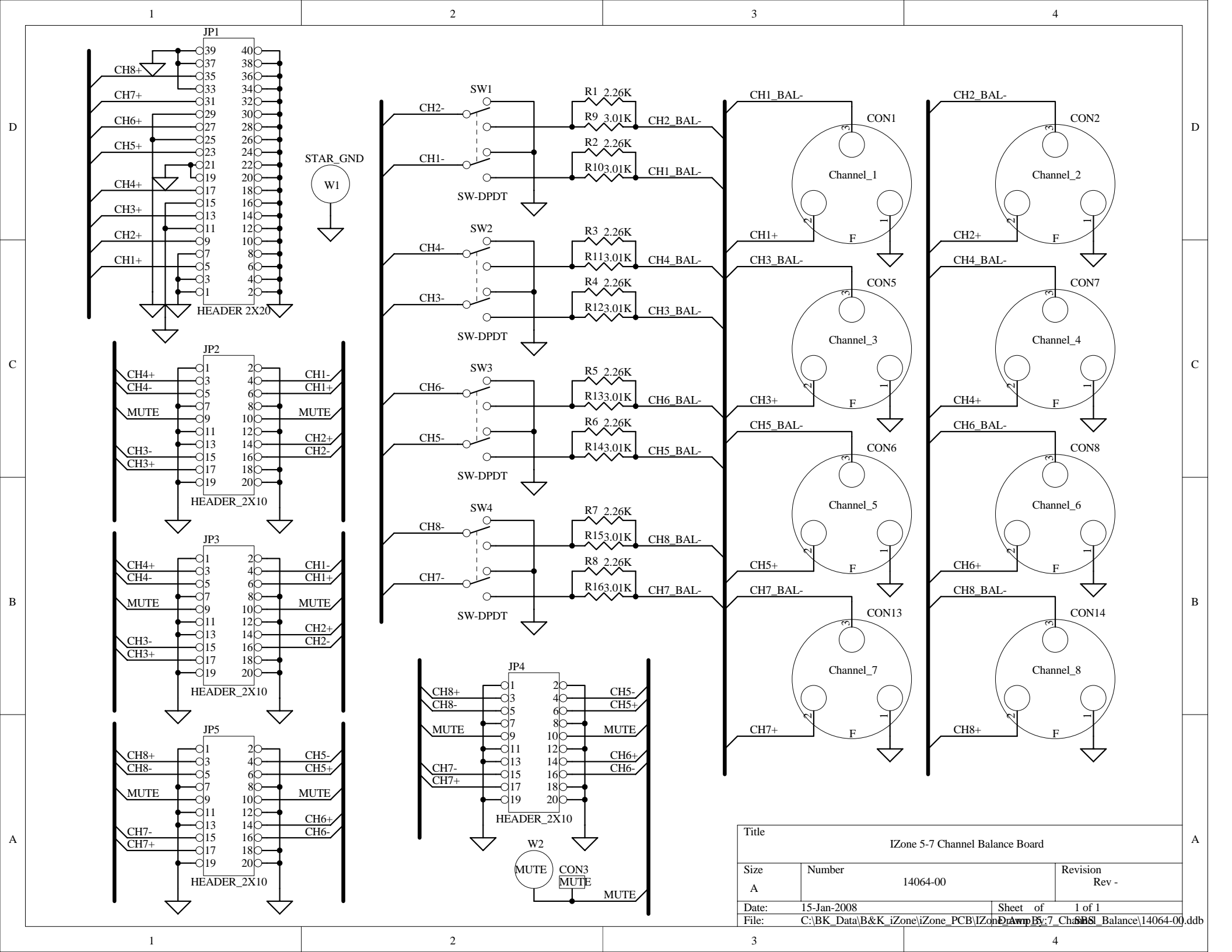
**Izone AMPLIFIERS 1/2/3
CHANNEL and 5/7
CHANNEL**

SERVICE MANUAL

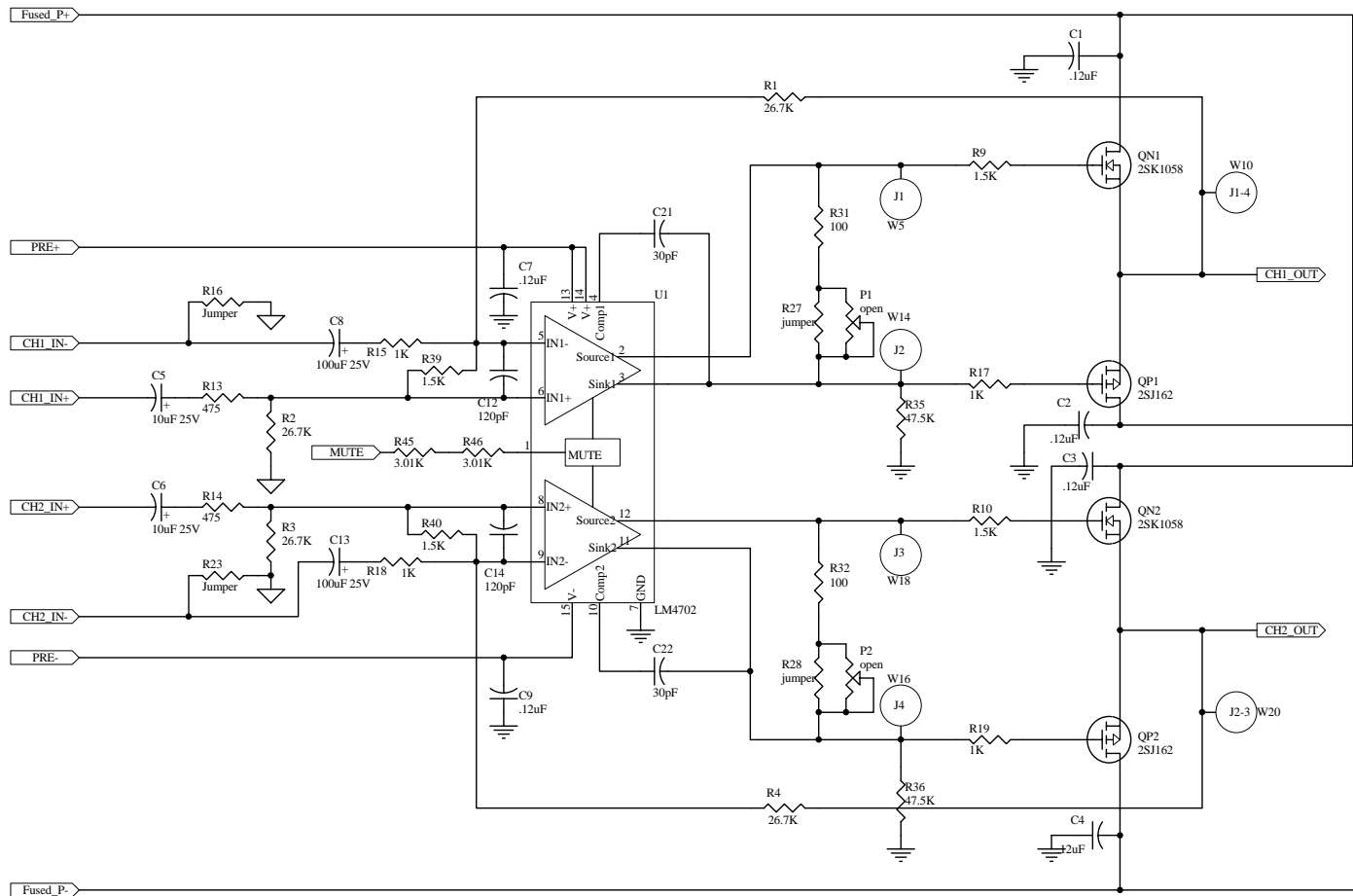
SBS - 011508



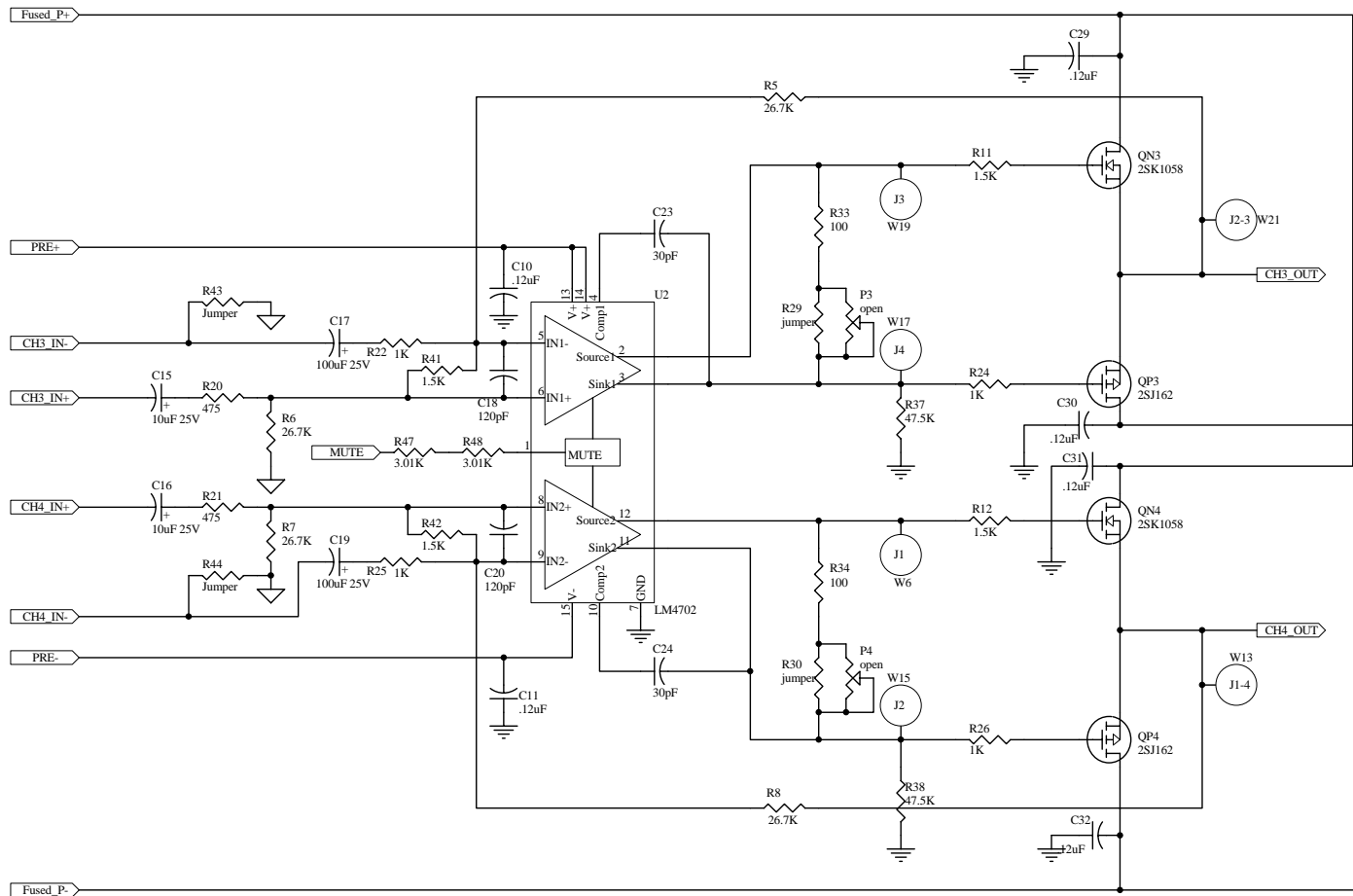
Title			
IZone 1-2-3 Channel RCA/Balance Board			
Size	Number	Revision	
A	14186-00	Rev -	
Date:	15-Jan-2008	Sheet of	1 of 1
File: C:\BK_Data\B&K_iZone\iZone_PCB\iZone_Channel\BKA_Bal\14186-00.ddb			



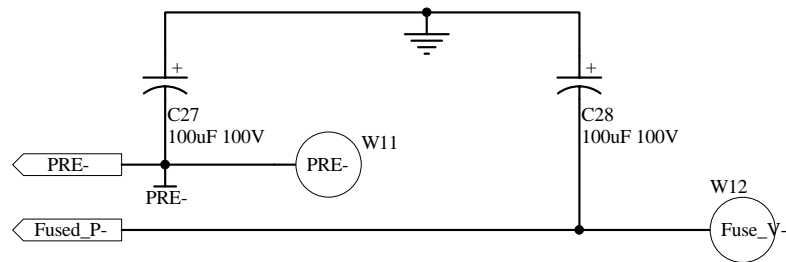
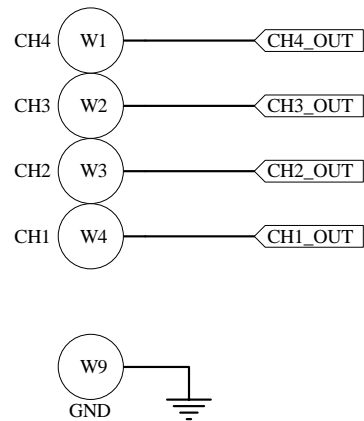
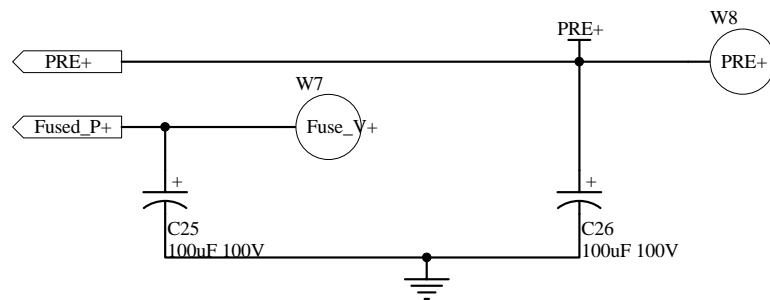
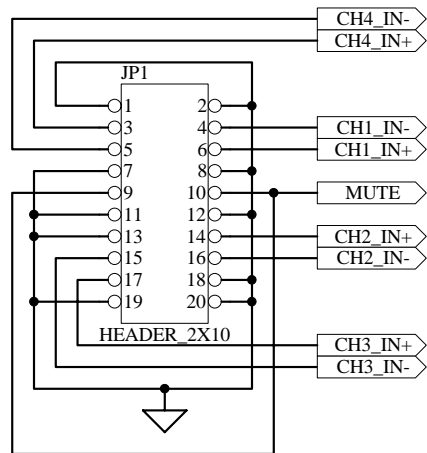
Title			
iZone 5-7 Channel Balance Board			
Size	Number	Revision	Rev -
A	14064-00		
Date:	15-Jan-2008	Sheet of	1 of 1
File:	C:\BK_Data\B&K_iZone\iZone_PCB\iZone_Drump\By:7_Channel_Balance\14064-00.ddb		



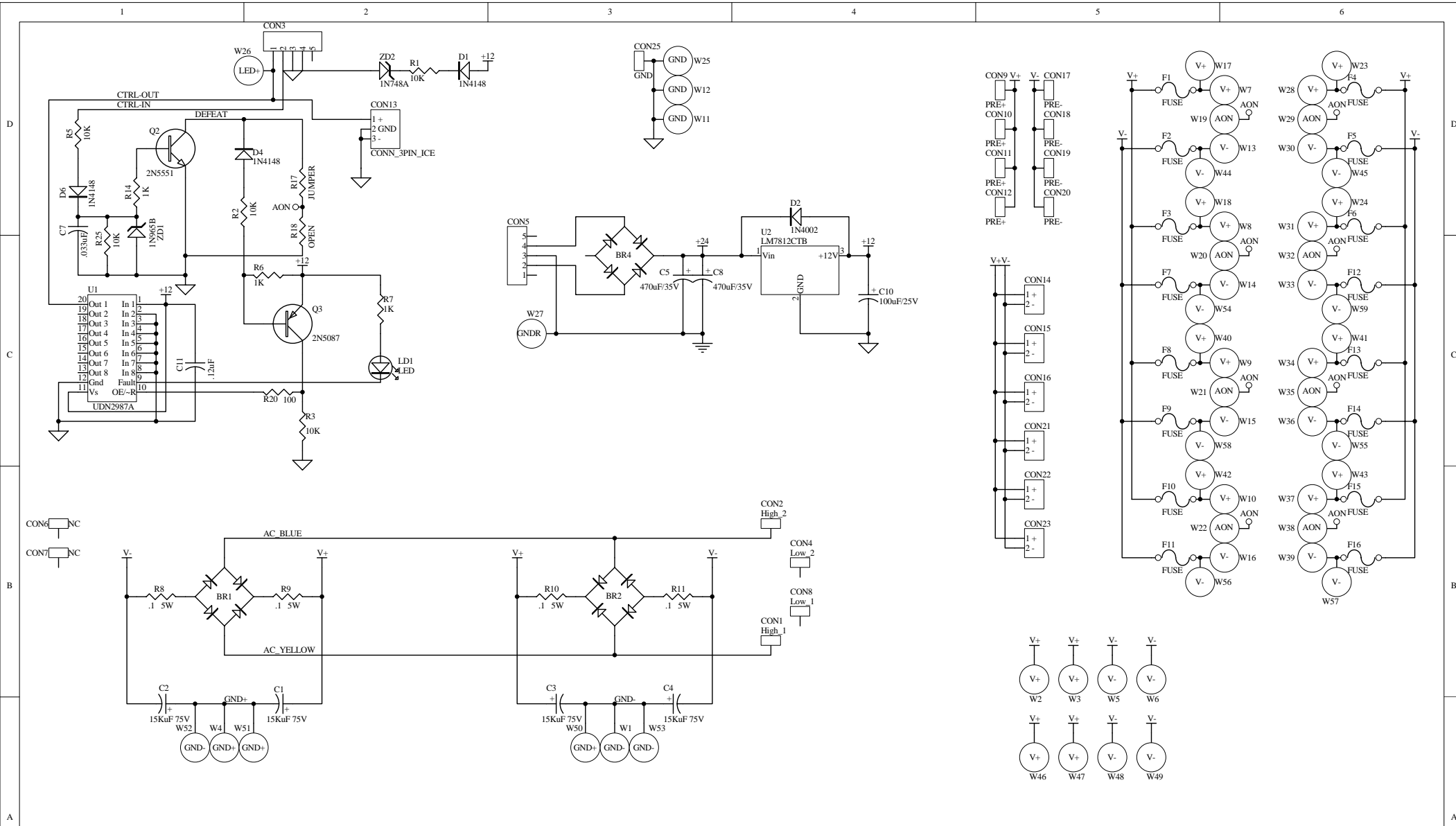
Title			
iZone Channel 1-2 Power Amp			
Size	Number	Revision	
B	13990A00CH1-2.sch	A	
Date:	15-Jan-2008	Sheet 3 of 5	
File:	C:\BK_Data\B&K iZone\iZone_PCB\iZoneD\Amp_Bchannel_Small\B&K13990A00.djv		



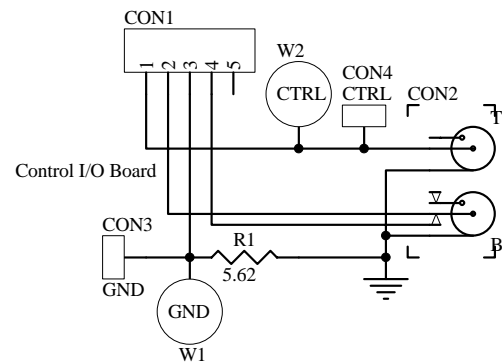
Title		
iZone Channel 3-4 Power Amp		
Size	Number	Revision
B	13990A00CH3-4.sch	A
Date:	15-Jan-2008	Sheet 3 of 5
File:	C:\BK_Data\B&K_iZone\iZone_PCB\iZoneChannel_Small\13990A00.djv	



Title		
iZone Power/Mute Control		
Size	Number	Revision
A	13990A00_Power_Mute.sch	A
Date:	15-Jan-2008	Sheet 5 of 5
File:	C:\BK_Data\B&K_iZone\iZone_PCB\iZone_PCB\Drawings\channel_SnB\BSPSM18990a00.ddb	



Title		
Series IV 125.5.7 POWER SUPPLY		
Size	Number	Revision
B	14416-00	Rev -
Date:	2-Dec-2008	Sheet 1 of 1
File:	C:\BK_Data\Series 4\SeriesIV_125.3.5.7	14416-00.ddb SBS/ESM



Title		
Series IV CONTROL I/O BOARD non-push button		
Size	Number	Revision
A	14418-00	REV -
Date:	2-Dec-2008	Sheet of
File:	C:\BK_Data\Series_4\SeriesIV_AMP_CTRL.dwg	10 of 10