

WE SIMPLY SOUND BETTER.

CT610 - CT310

SERVICE MANUAL

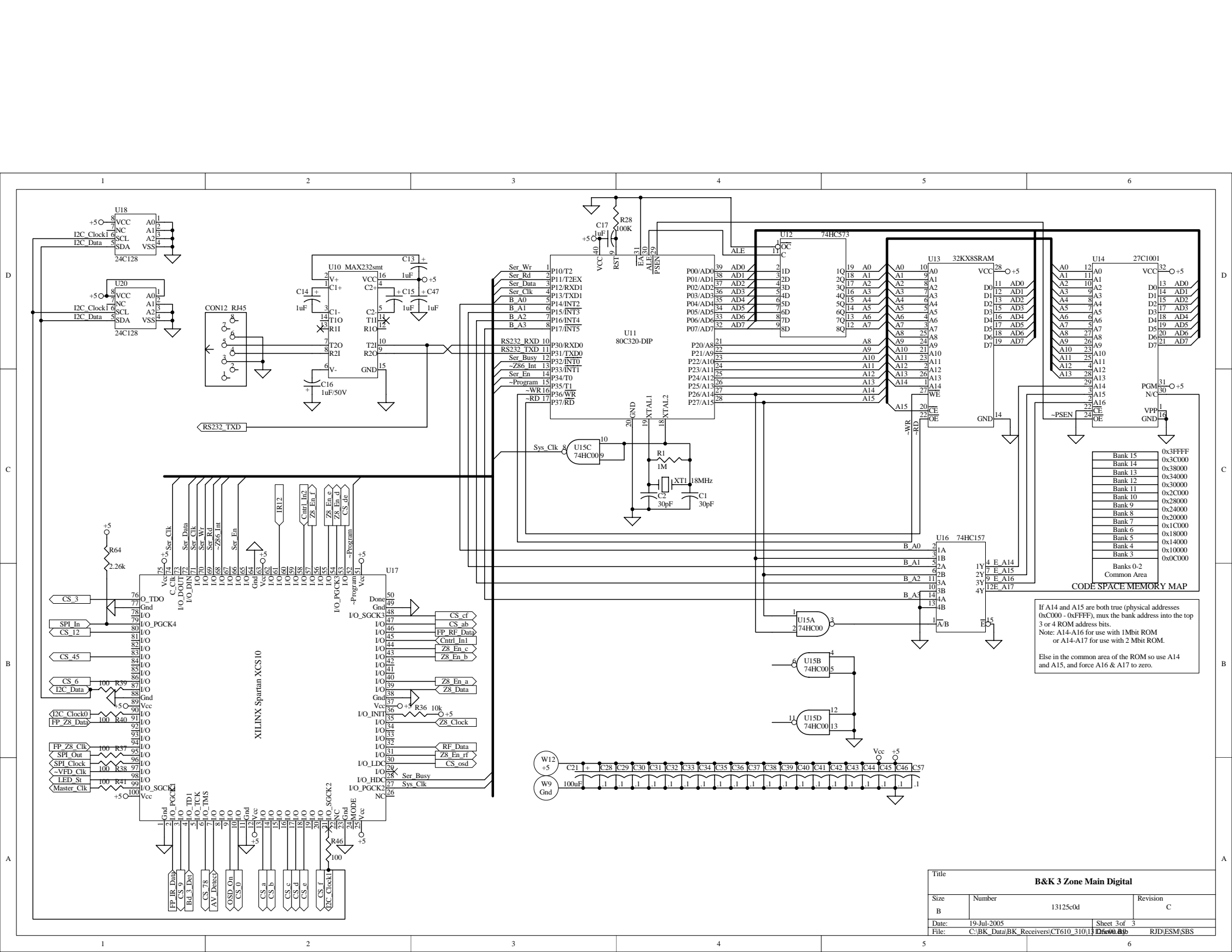
B&K COMPONENTS, LTD.
2100 Old Union Road
Buffalo, New York 14227-2725
U.S.A.

B & K

WE SIMPLY SOUND BETTER.

Schematics

B&K COMPONENTS, LTD.
2100 Old Union Road
Buffalo, New York 14227-2725
U.S.A.



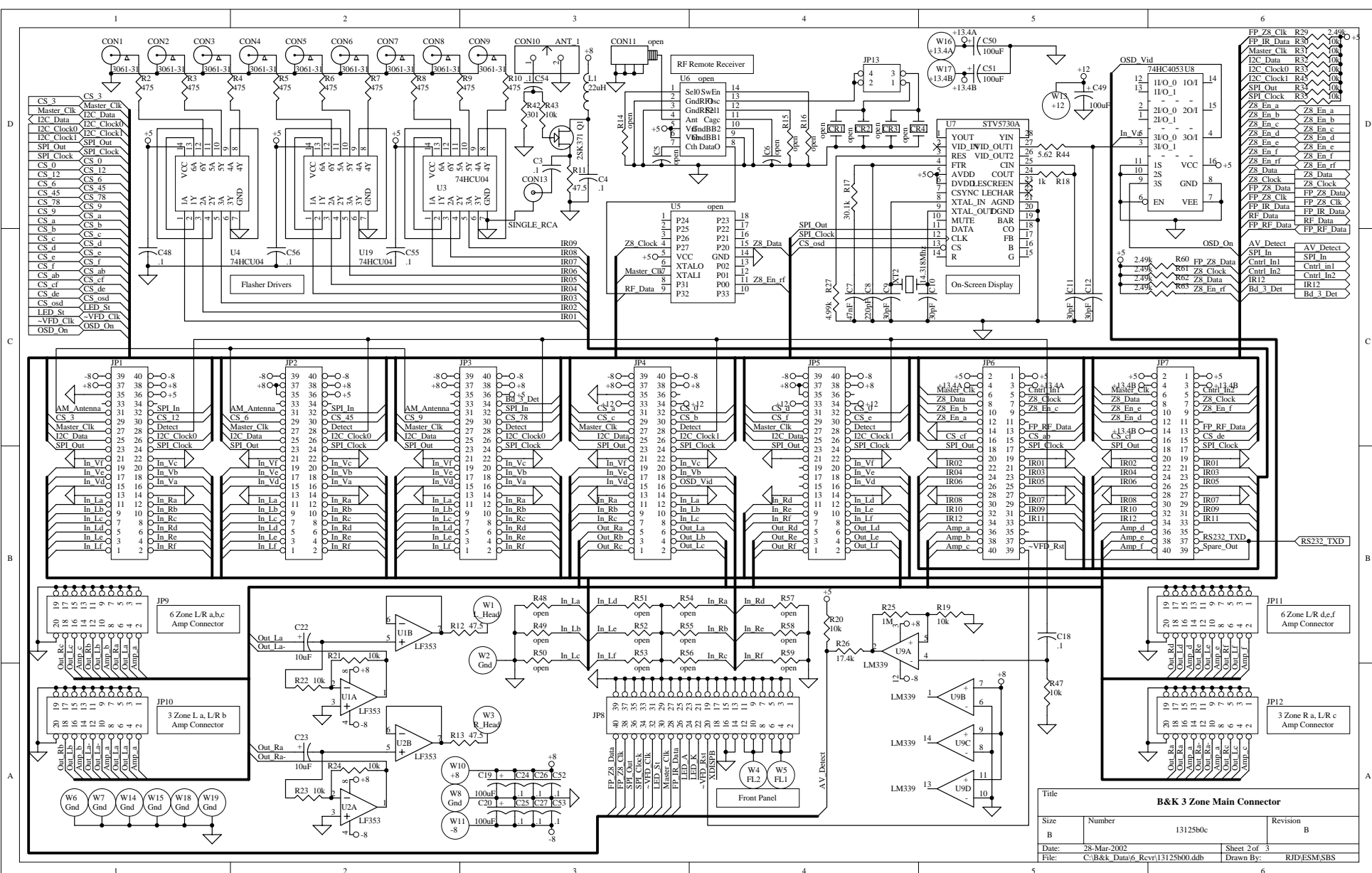
CODE SPACE MEMORY MAP

Bank 15	0x3FFFF
Bank 14	0x3C000
Bank 13	0x38000
Bank 12	0x34000
Bank 11	0x30000
Bank 10	0x2C000
Bank 9	0x28000
Bank 8	0x24000
Bank 7	0x20000
Bank 6	0x1C000
Bank 5	0x18000
Bank 4	0x14000
Bank 3	0x10000
Bank 2	0x0C000
Common Area	

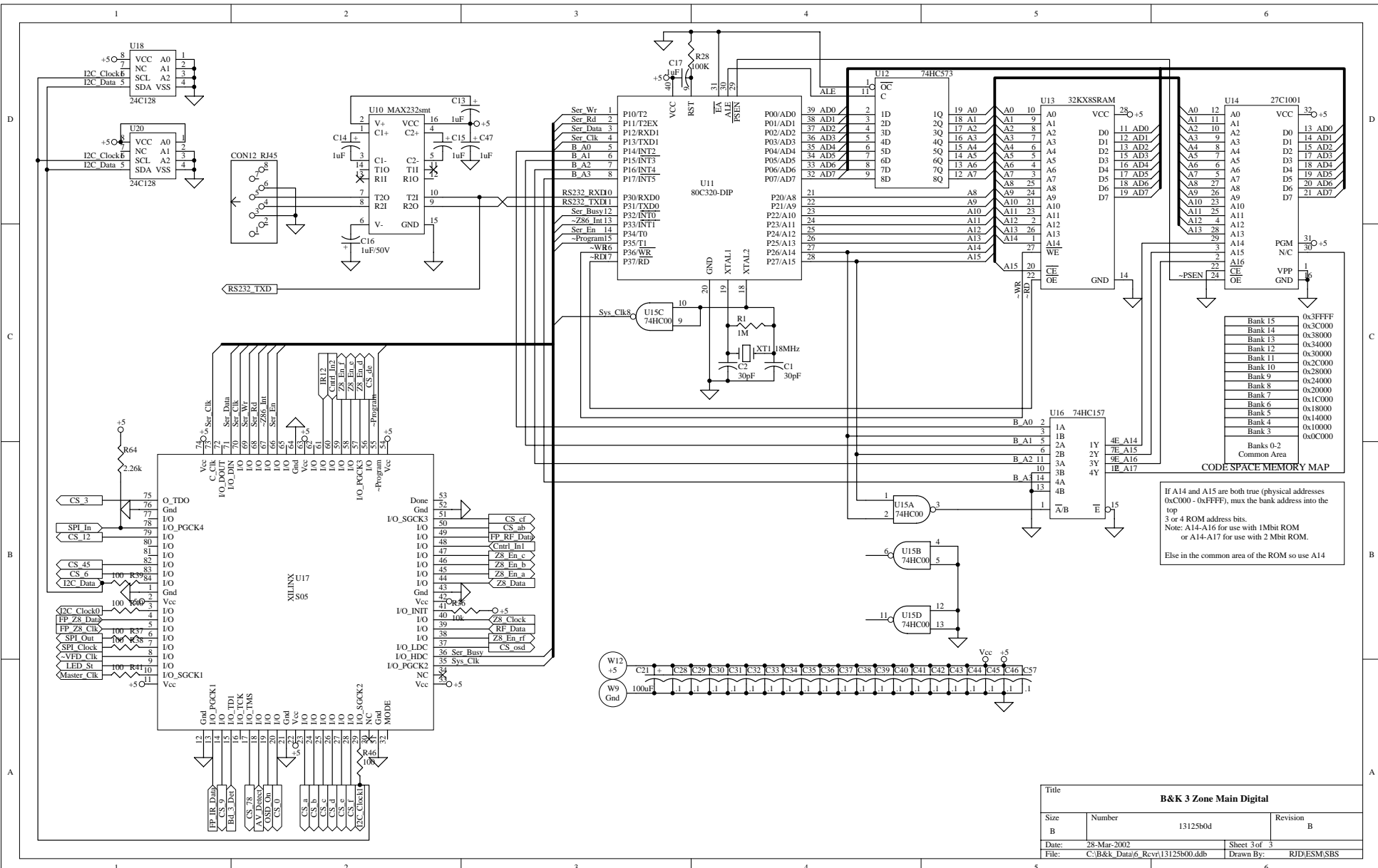
If A14 and A15 are both true (physical addresses 0xC000 - 0xFFFF), mux the bank address into the top 3 or 4 ROM address bits.
 Note: A14-A16 for use with 1Mbit ROM or A14-A17 for use with 2 Mbit ROM.

Else in the common area of the ROM so use A14 and A15, and force A16 & A17 to zero.

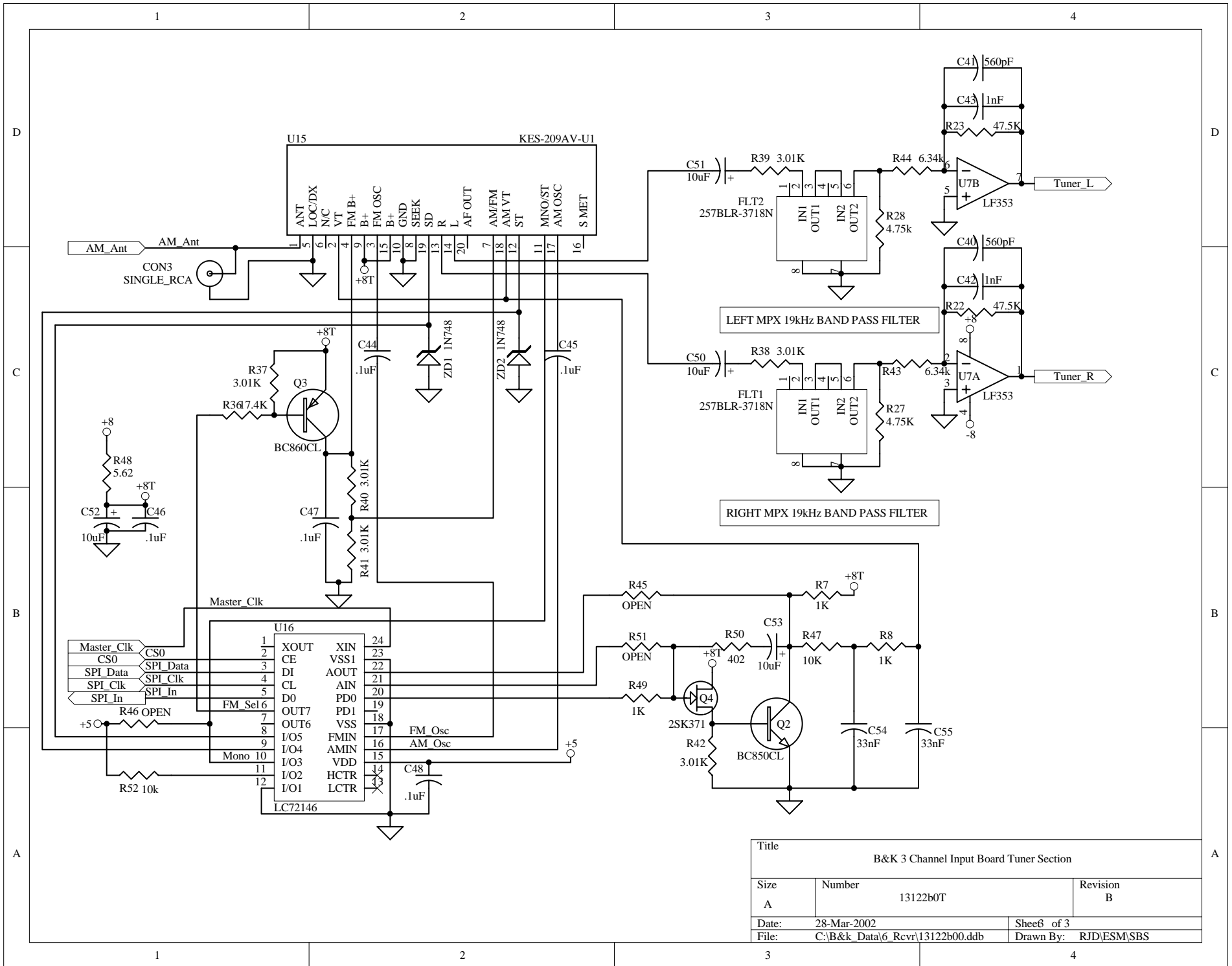
Title			
B&K 3 Zone Main Digital			
Size	Number	13125c0d	Revision
B			C
Date:	19-Jul-2005	Sheet 3of 3	
File:	C:\BK_Data\BK_Receivers\CT610_31011	D:\600	RJD/ESM/SBS



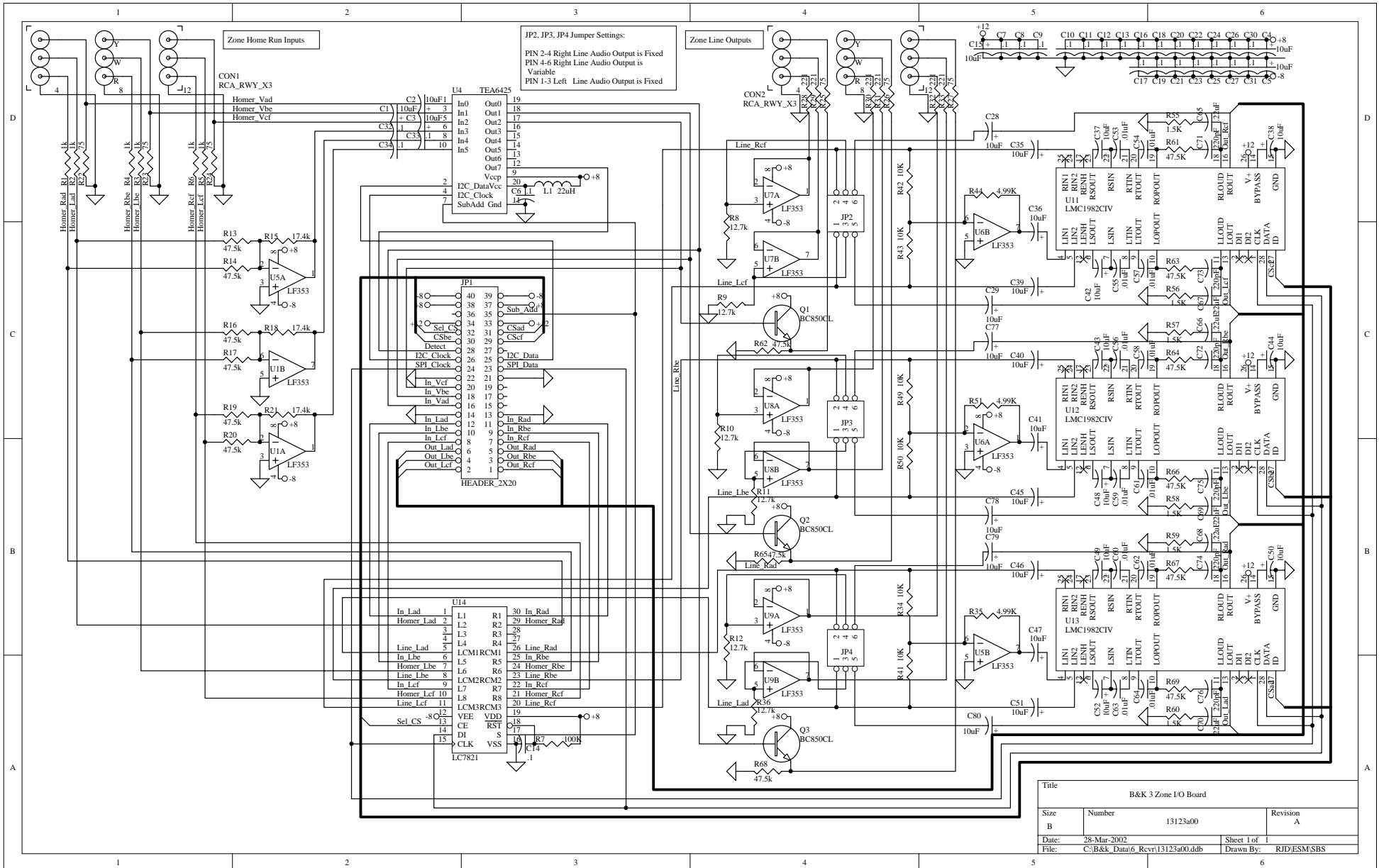
B&K 3 Zone Main Connector			
Title	Size	Number	Revision
	B	13125b0c	B
Date:	28-Mar-2002	Sheet 2 of 3	
File:	C:\B&k Data\6_Rcvr13125b00.ddb	Drawn By:	RJD/ESM/SBS



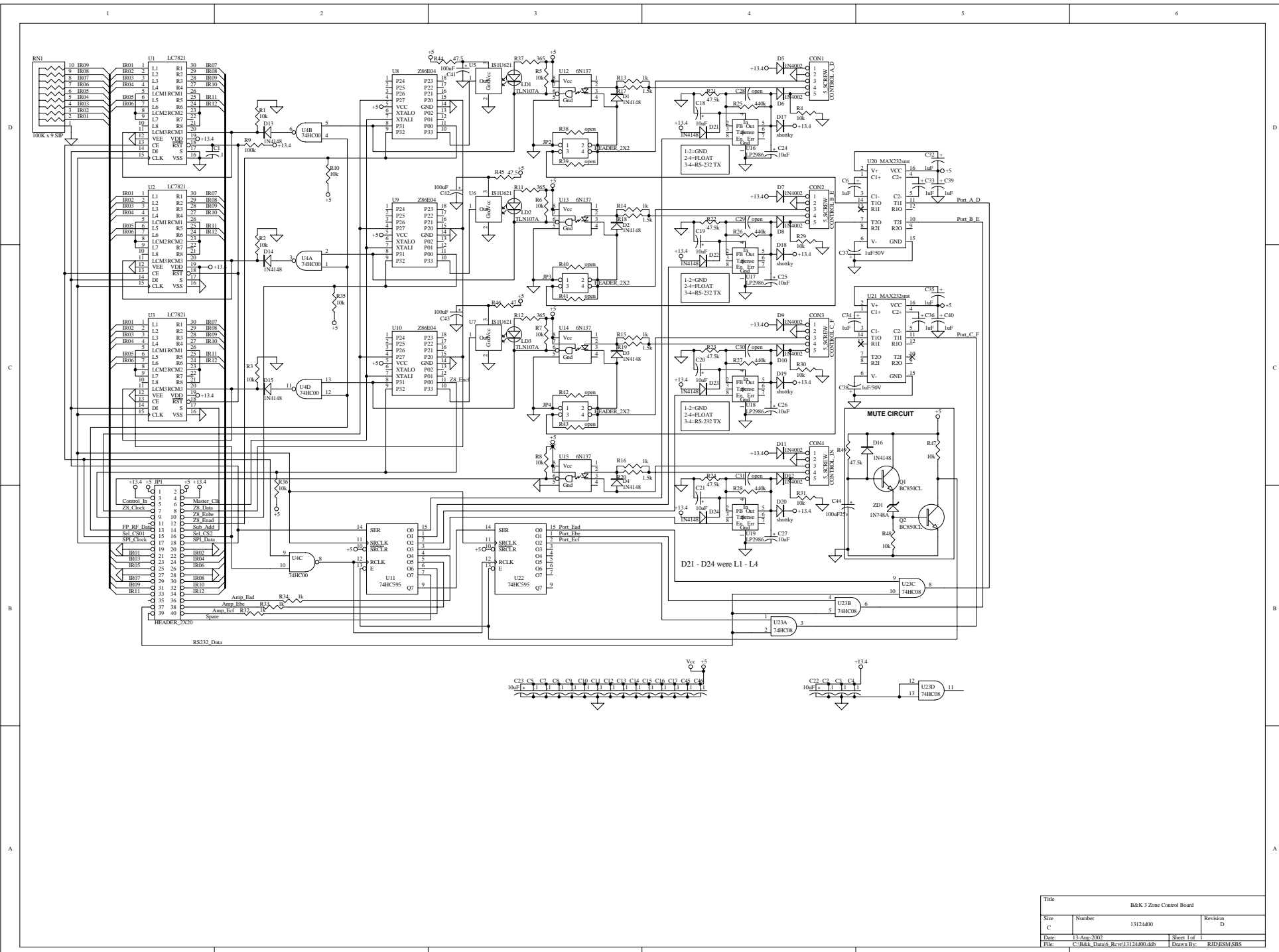
Title			
B&K 3 Zone Main Digital			
Size	Number	Revision	
B	13125b0d		B
Date:	28-Mar-2002	Sheet 3of 3	
File:	C:\B&k_Data6\Revri13125b0d.ddb	Drawn By:	RJD/ESM/SBS



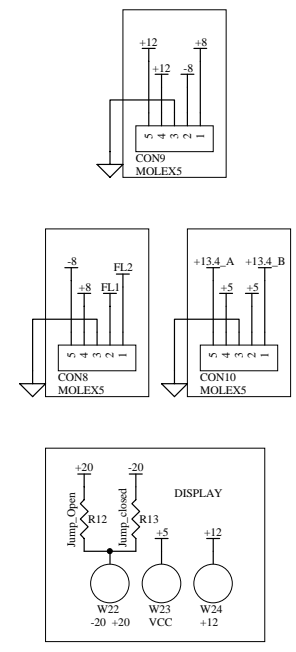
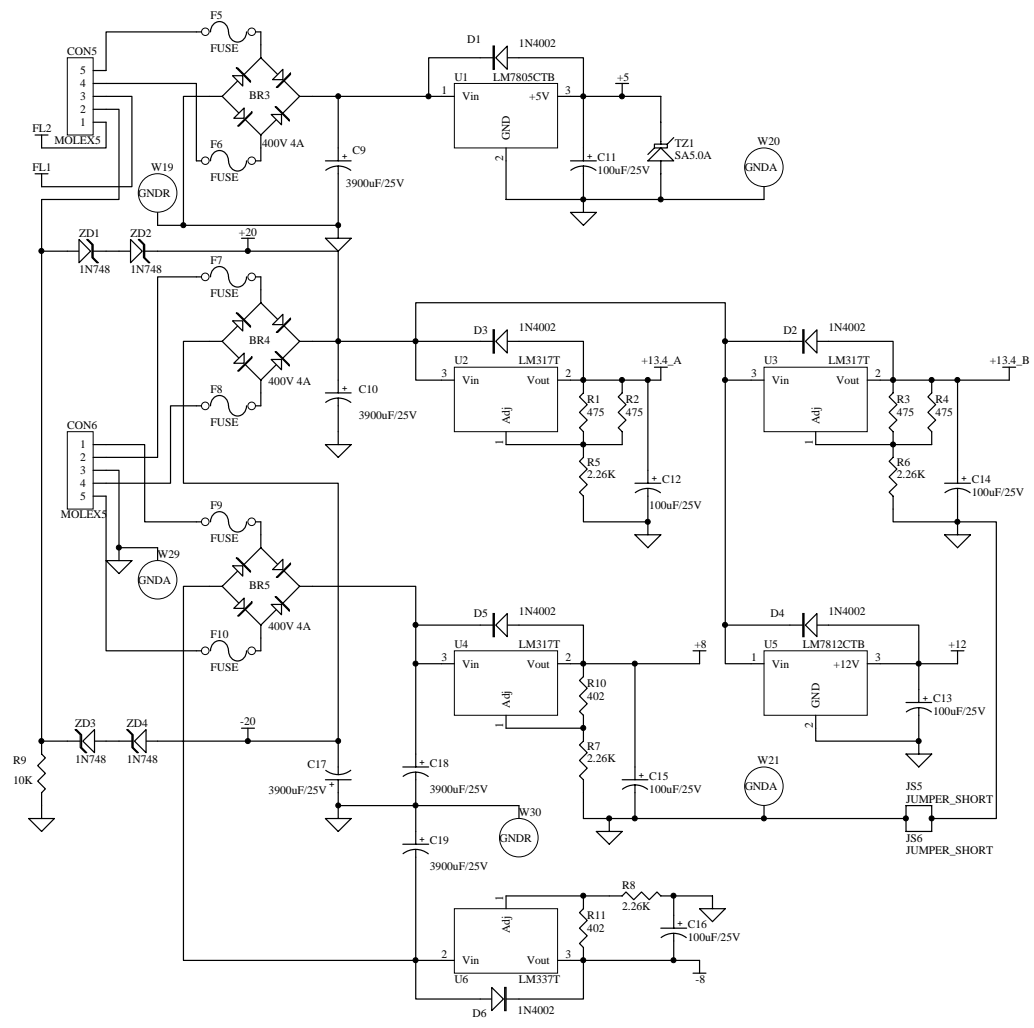
Title		
B&K 3 Channel Input Board Tuner Section		
Size	Number	Revision
A	13122b0T	B
Date:	28-Mar-2002	Shee6 of 3
File:	C:\B&k_Data\6 Rcvr\13122b00.ddb	Drawn By: RJD\ESM\SBS



Title			
B&K 3 Zone I/O Board			
Size	Number	13123a00	Revision
B			A
Date:	28-Mar-2002	Sheet 1 of 1	
File:	C:\B&k_Data\6_Rev1\13123a00.ddb	Drawn By:	RJD/ESM/SBS

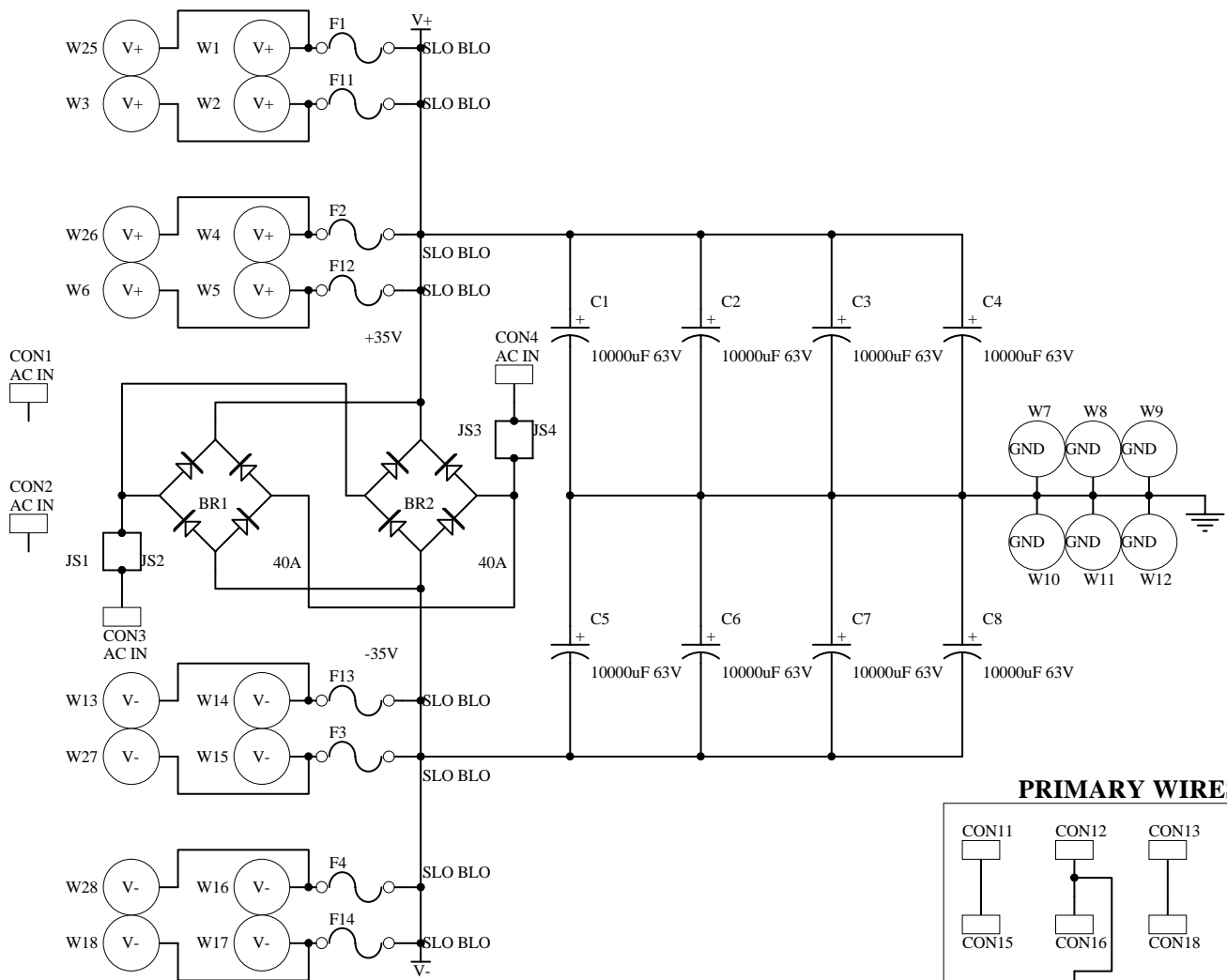


Title			
B&K 3 Zone Control Board			
Site	Number	13124800	Revision
c			D
Date:	13-Aug-2002	Sheet	1 of 1
File:	C:\B&K_Data\6_Rev\13124800.dtb	Drawn By:	RJD/MSM/SJS

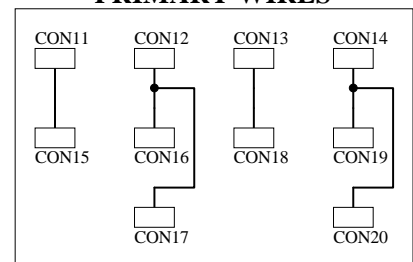


Title		
3 - 6 channel power supply - low current		
Size	Number	Revision
B	13149-0L	REV -
Date:	28-Mar-2002	Sheet of 3 of 3
File:	C:\B&K_Data\6_Rev1\Rev-dB\13149-0L.d	Drawn By: SBS/ESM

POWER SUPPLY

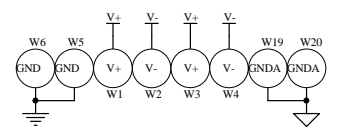
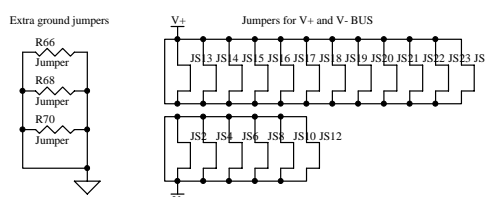
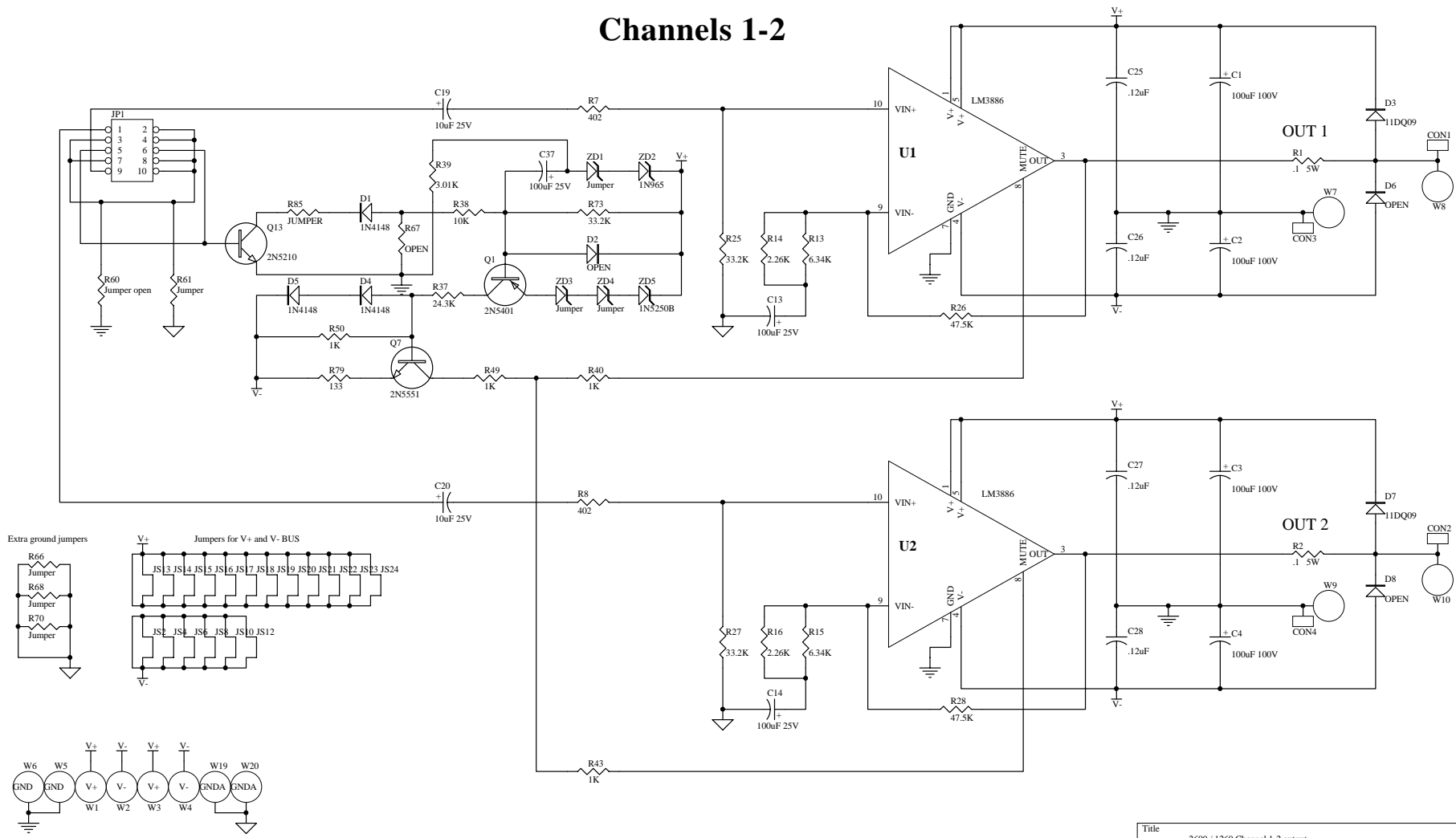


PRIMARY WIRES



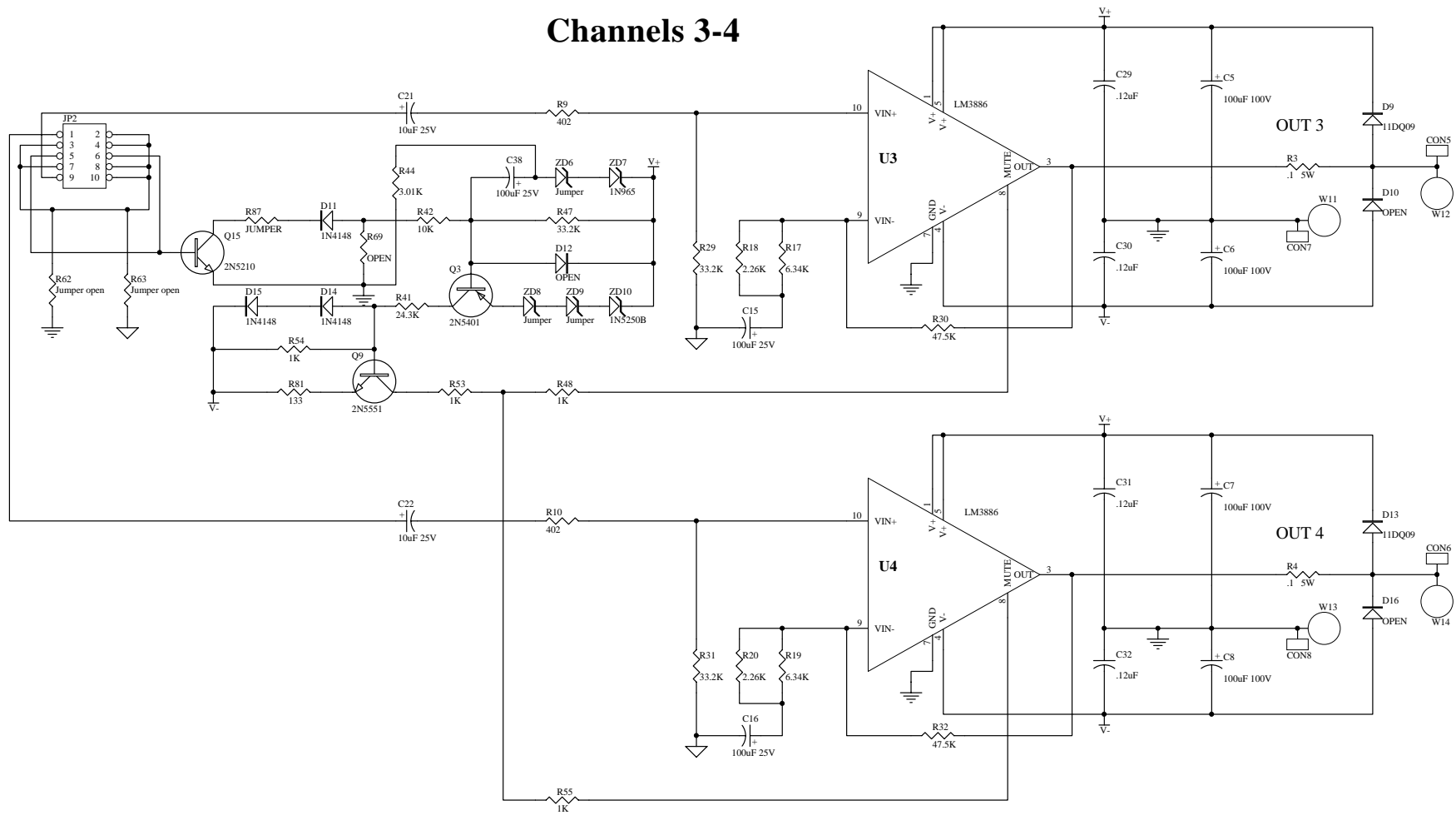
Title		
3-6 Channel Power Supply - High Current		
Size	Number	Revision
A	13149-0H	Rev -
Date:	28-Mar-2002	Sheet of 2 of 3
File:	C:\B&k_Data\6_Rcvr\Rev-ddB\13149-0H.dwg	Drawn By: SBS/ESM

Channels 1-2



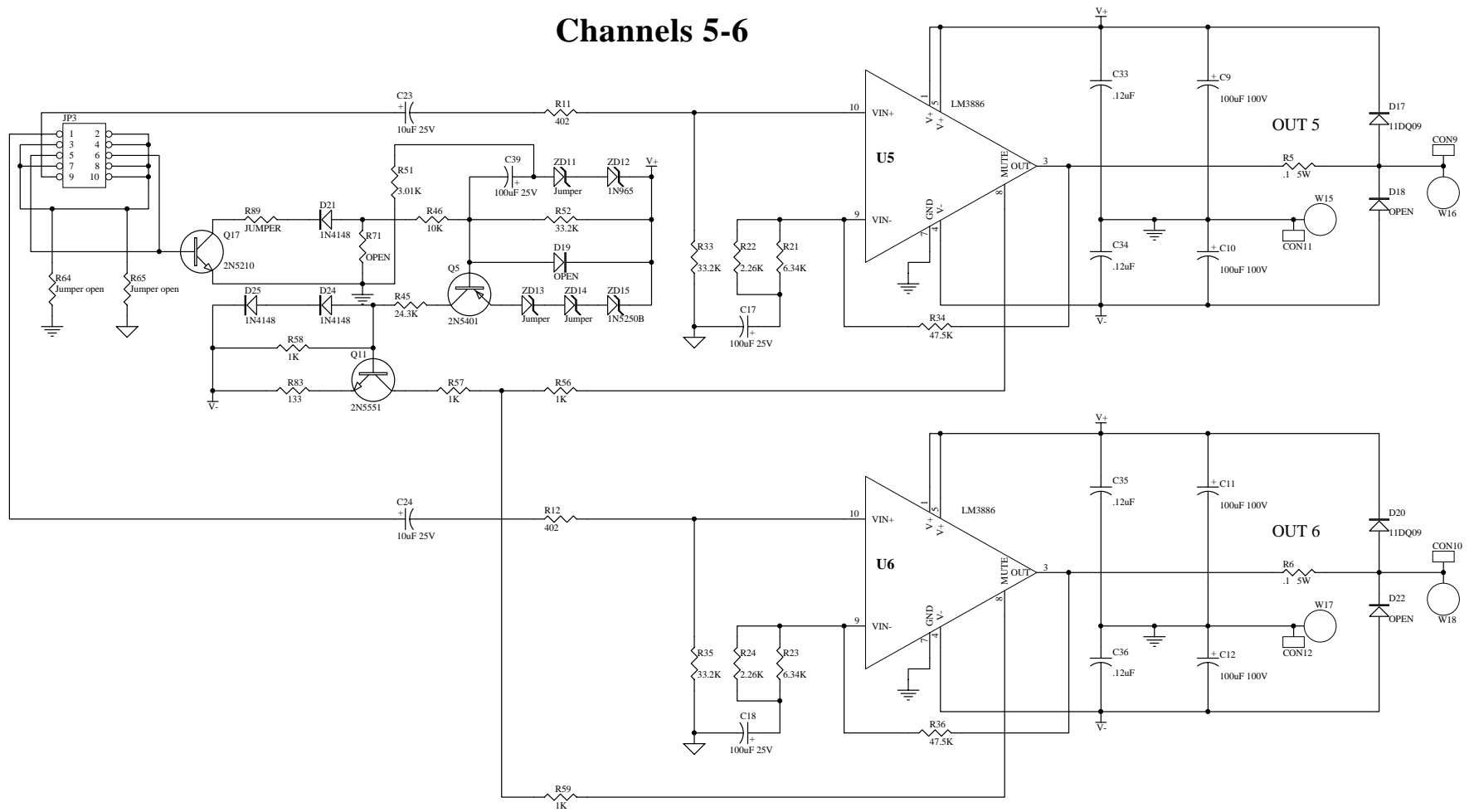
Title		
2600 / 1260 Channel 1-2 output		
Size	Number	Revision
B	12927600-1-2	Rev B
Date:	28-Mar-2002	Sheet of 1 of 4
File:	C:\B&K_Data\6_Rev\12927600.ddb	Drawn By: SBS:ESM

Channels 3-4

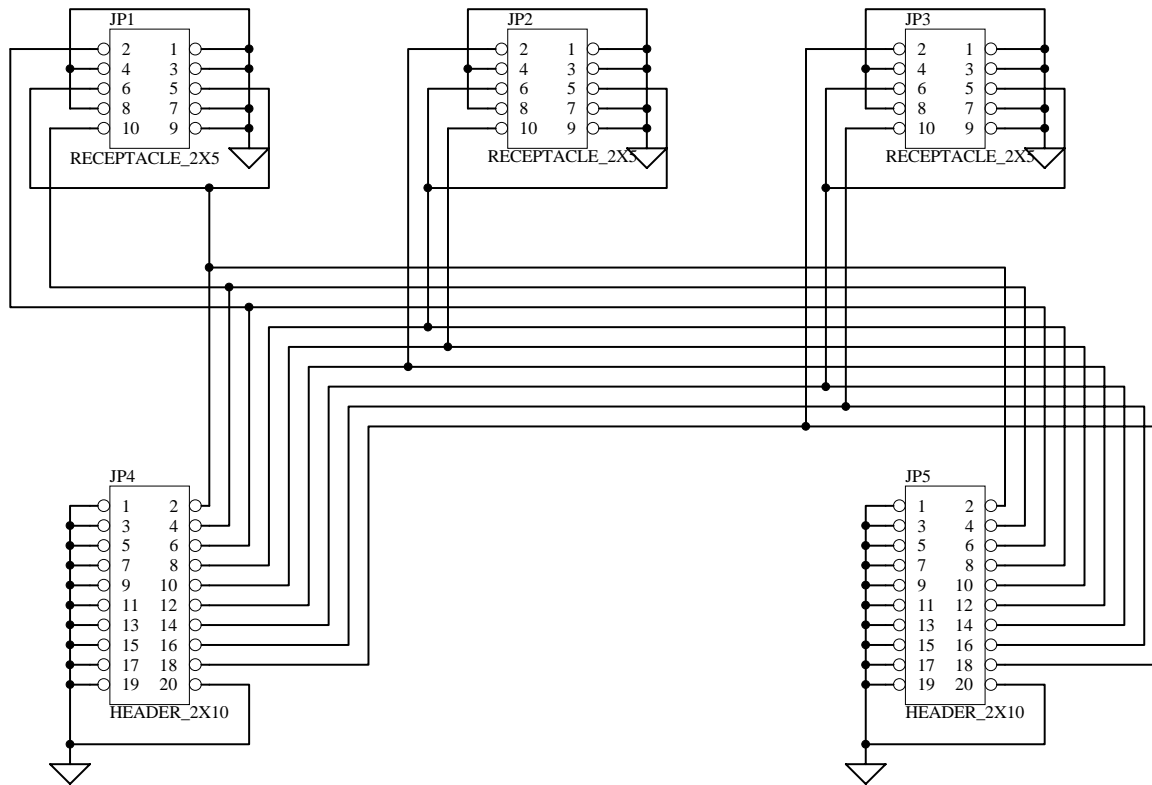


Title			
2600 / 1260 Channel 3-4 output			
Size	Number	Revision	
B	12927600-3-4	Rev B	
Date:	28-Mar-2002	Sheet of	2 of 4
File:	C:\B&k_Data\6_Rev\12927600.ddb	Drawn By:	SBS:ESM

Channels 5-6



Title		
2600 / 1260 Channel 5-6 output		
Size	Number	Revision
B	12927600-5-6	Rev B
Date:	28-Mar-2002	Sheet of 3 of 4
File:	C:\B&K_Data\6_Rev\12927600.ddb	Drawn By: SBS:ESM



Title			
6_CH Receiver Bus Board			
Size	Number	Revision	
A	13150a00	Rev A	
Date:	28-Mar-2002	Sheet of	1 of 1
File:	C:\B&k_Data\6_Rcvr\13150a00.ddb	Drawn By:	SBS\ESM

1

2

3

4

D

D

C

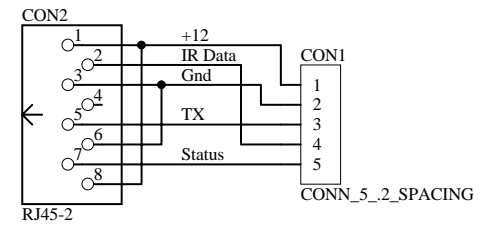
C

B

B

A

A



Title			RS-232 to 5 pin Molex		
Size	Number			Revision	
A	13242-00			-	
Date:	28-Mar-2002	Sheet 1 of 1			
File:	C:\B&k_Data\6_Rcvr\13242-00.ddb	Drawn By:		SBS	

1

2

3

4

1

2

3

4

D

D

C

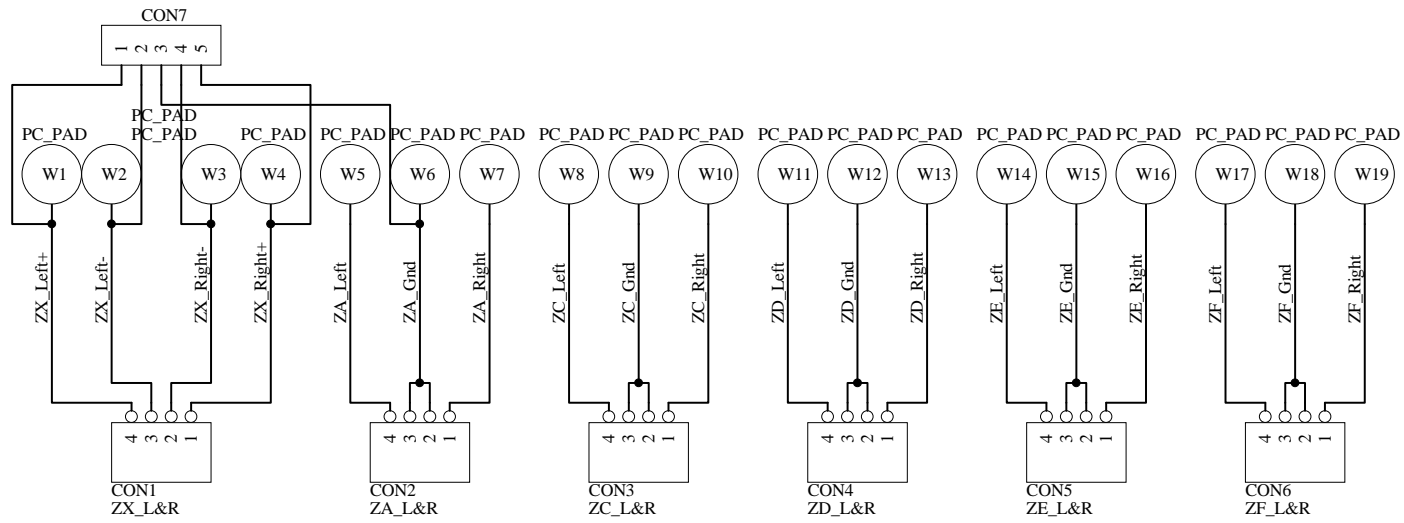
C

B

B

A

A



Title		
Speaker Output Board using 4 pin screw terminals		
Size	Number	Revision
A	13243-00	-
Date:	28-Mar-2002	Sheet 1 of 1
File:	C:\B&k_Data\6_Rcvr\13243-00.ddb	Drawn By: SBS

1

2

3

4

