

WE SIMPLY SOUND BETTER.

CT600.3-300.3

SERVICE MANUAL

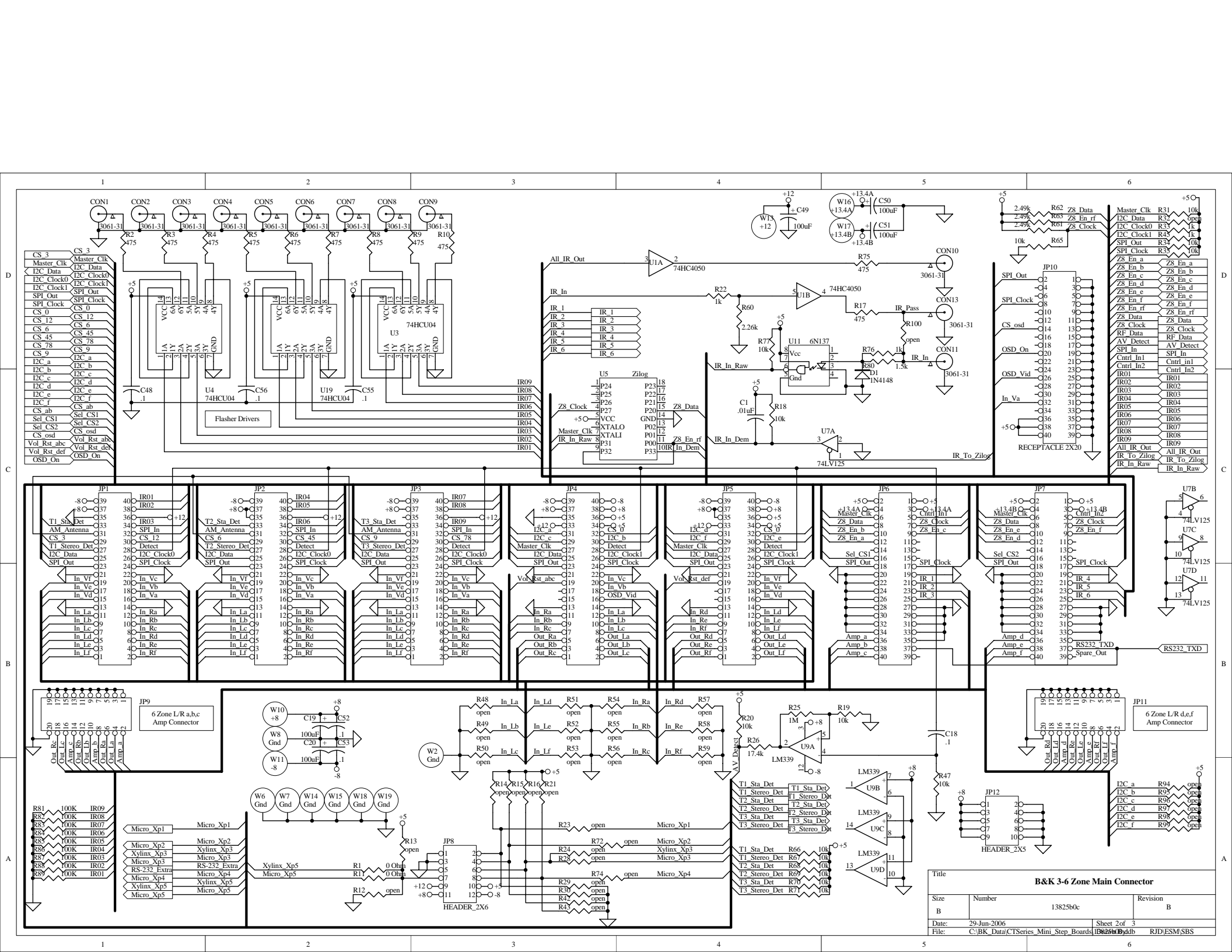
B&K COMPONENTS, LTD.
2100 Old Union Road
Buffalo, New York 14227-2725
U.S.A.

B & K

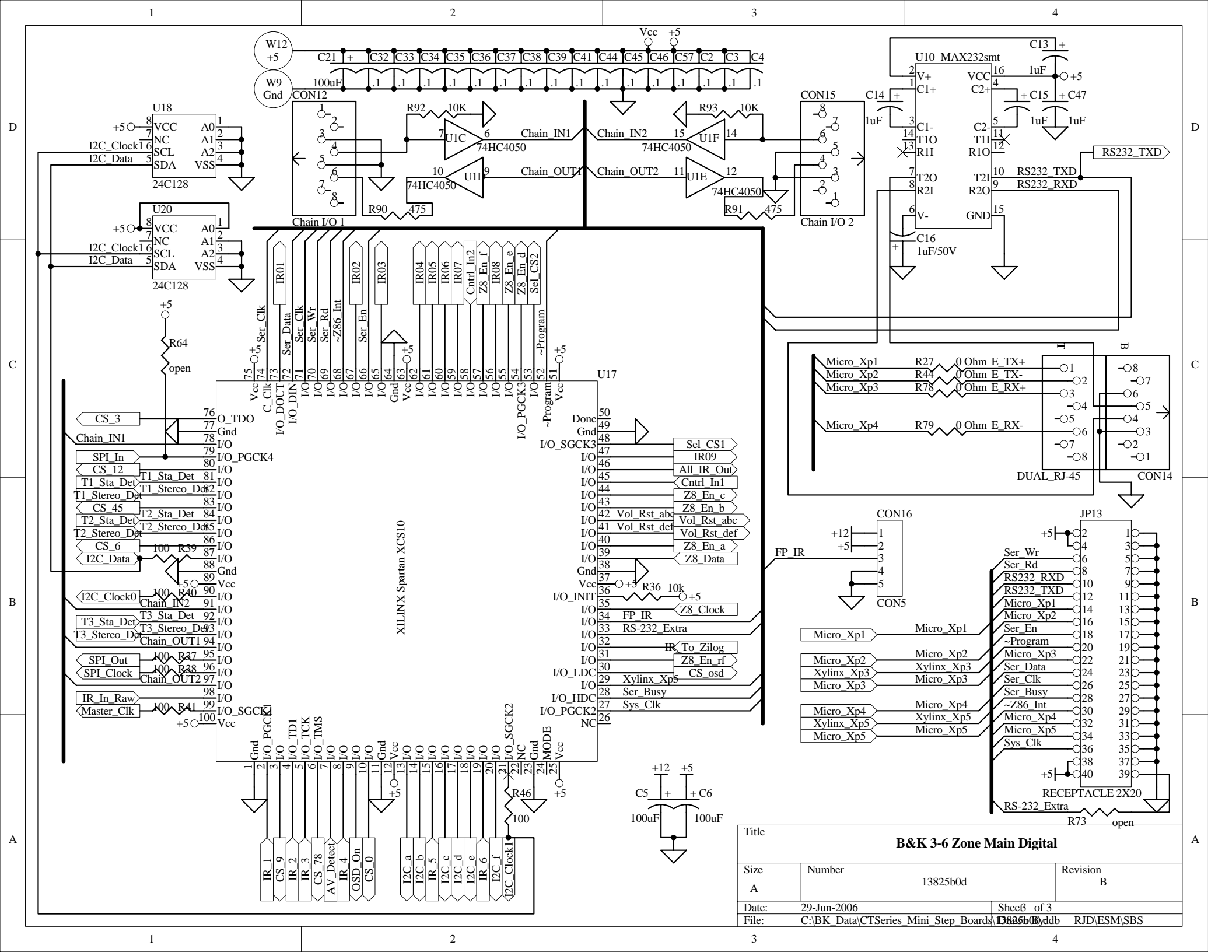
WE SIMPLY SOUND BETTER.

Schematics

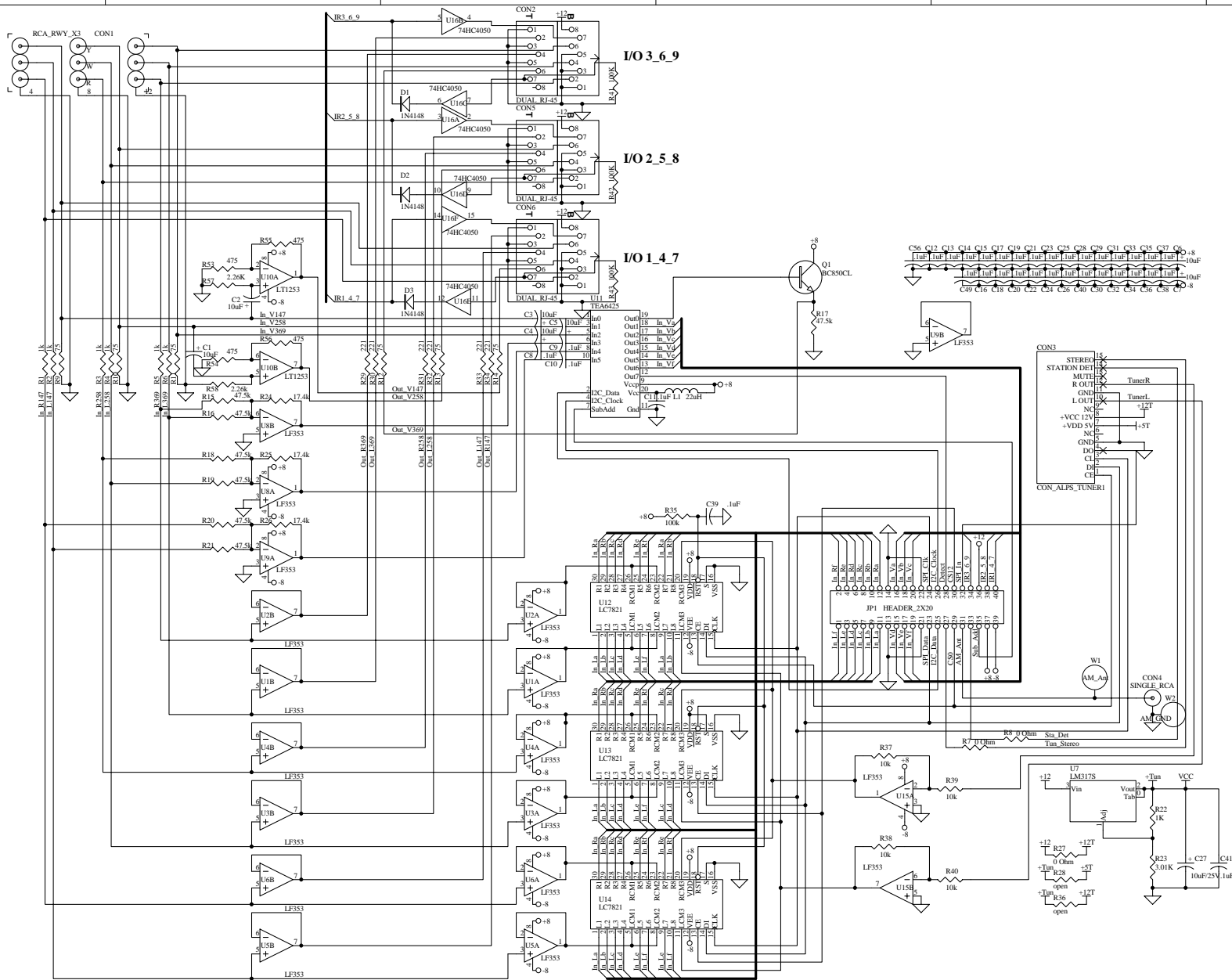
B&K COMPONENTS, LTD.
2100 Old Union Road
Buffalo, New York 14227-2725
U.S.A.



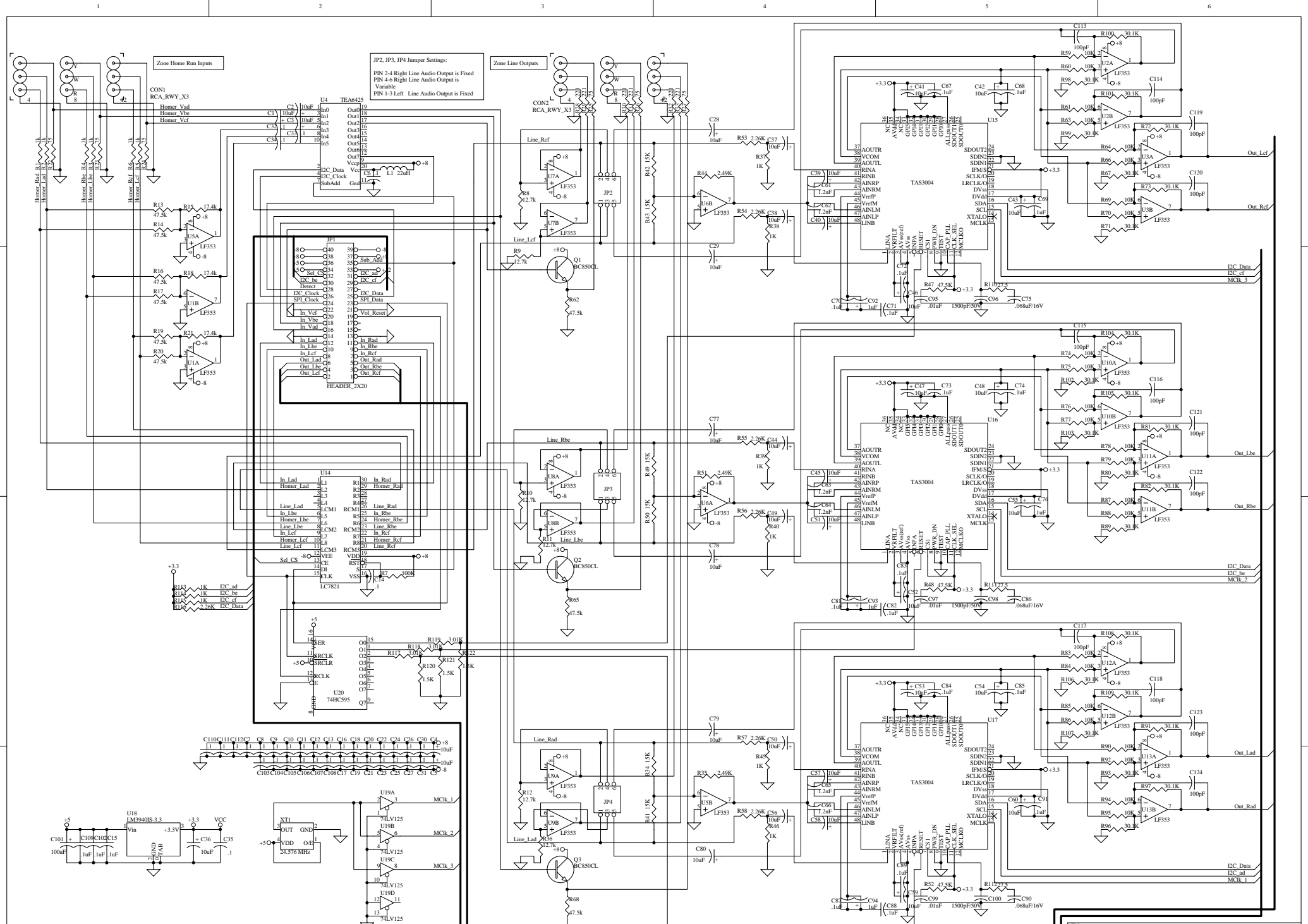
Title		
Size	Number	Revision
B	13825b0c	B
Date:	29-Jun-2006	Sheet 2of 3
File:	C:\BK_Data\CTSeries Mini Step Boards\13825b0c.dtb	RJD/ESM/SBS



Title			B&K 3-6 Zone Main Digital		
Size	Number	Revision			
A	13825b0d	B			
Date:	29-Jun-2006	Sheet#		of 3	
File:	C:\BK_Data\CTSeries_Mini_Step_Boards\13825b0ddb	RJD/ESM/SBS			



Title	B&K 3-6 Channel IO Selector_Tuner		
Size	Number	13823800	Revision
C			B
Date:	29-Jun-2006		
File:	C:\BK_Data\C\Series_Mini_Shp_Board\Drawn\Bjeb\Bjeb_RJD\ESM\SHS		
	Sheet of 1		



JP2, JP3, JP4 Jumper Settings:
 PIN 2-4 Right Line Audio Output is Fixed
 PIN 4-6 Right Line Audio Output is Variable
 PIN 1-3 Left Line Audio Output is Fixed

U4 TEA6425

Out18
 Out19
 Out17
 Out16
 Out15
 Out14
 Out12
 Out11
 Out10
 Out9
 Out8
 Vccp
 Vccp1
 Vccp2
 Vccp3
 Vccp4
 Vccp5
 Vccp6
 Vccp7
 Vccp8
 Vccp9
 Vccp10
 Vccp11
 Vccp12
 Vccp13
 Vccp14
 Vccp15
 Vccp16
 Vccp17
 Vccp18
 Vccp19
 Vccp20
 Vccp21
 Vccp22
 Vccp23
 Vccp24
 Vccp25
 Vccp26
 Vccp27
 Vccp28
 Vccp29
 Vccp30
 Vccp31
 Vccp32
 Vccp33
 Vccp34
 Vccp35
 Vccp36
 Vccp37
 Vccp38
 Vccp39
 Vccp40
 Vccp41
 Vccp42
 Vccp43
 Vccp44
 Vccp45
 Vccp46
 Vccp47
 Vccp48
 Vccp49
 Vccp50
 Vccp51
 Vccp52
 Vccp53
 Vccp54
 Vccp55
 Vccp56
 Vccp57
 Vccp58
 Vccp59
 Vccp60
 Vccp61
 Vccp62
 Vccp63
 Vccp64
 Vccp65
 Vccp66
 Vccp67
 Vccp68
 Vccp69
 Vccp70
 Vccp71
 Vccp72
 Vccp73
 Vccp74
 Vccp75
 Vccp76
 Vccp77
 Vccp78
 Vccp79
 Vccp80
 Vccp81
 Vccp82
 Vccp83
 Vccp84
 Vccp85
 Vccp86
 Vccp87
 Vccp88
 Vccp89
 Vccp90
 Vccp91
 Vccp92
 Vccp93
 Vccp94
 Vccp95
 Vccp96
 Vccp97
 Vccp98
 Vccp99
 Vccp100

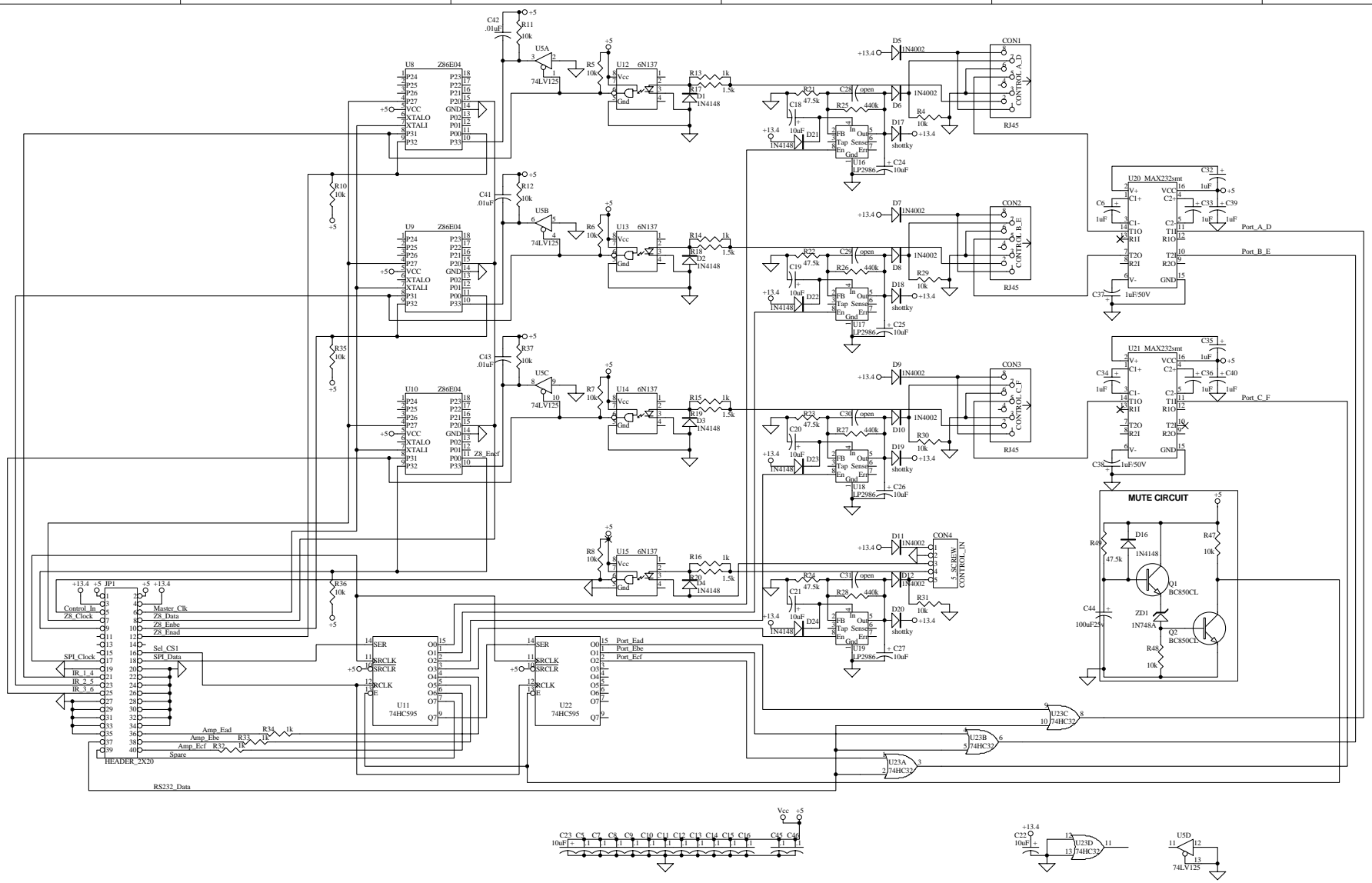
IC Data
 IC of
 MCLK 3

IC Data
 IC of
 MCLK 2

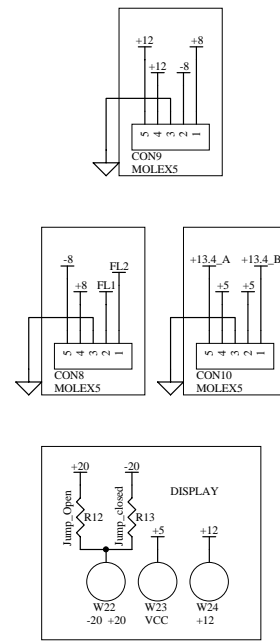
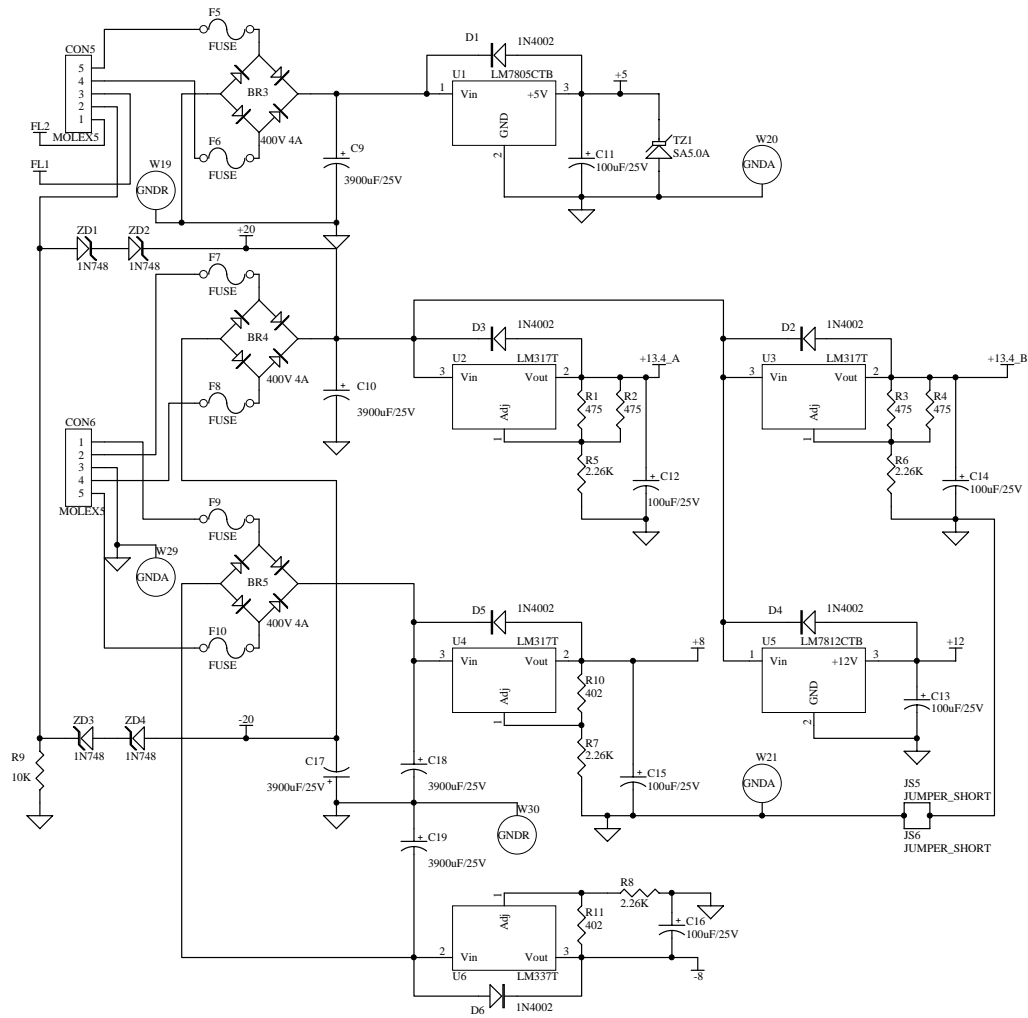
IC Data
 IC of
 MCLK 1

IC Data
 IC of
 MCLK 1

Title B&K 3-6 Zone I/O Board		
Size C	Number 1382400	Revision B
Date: 29-Jun-2006	Sheet 1 of 1	
File: C:\Bk_Data\C\Series_Atm_Sep_Board\B&K3-6\Bdb_RJ\DESMS\BMS		

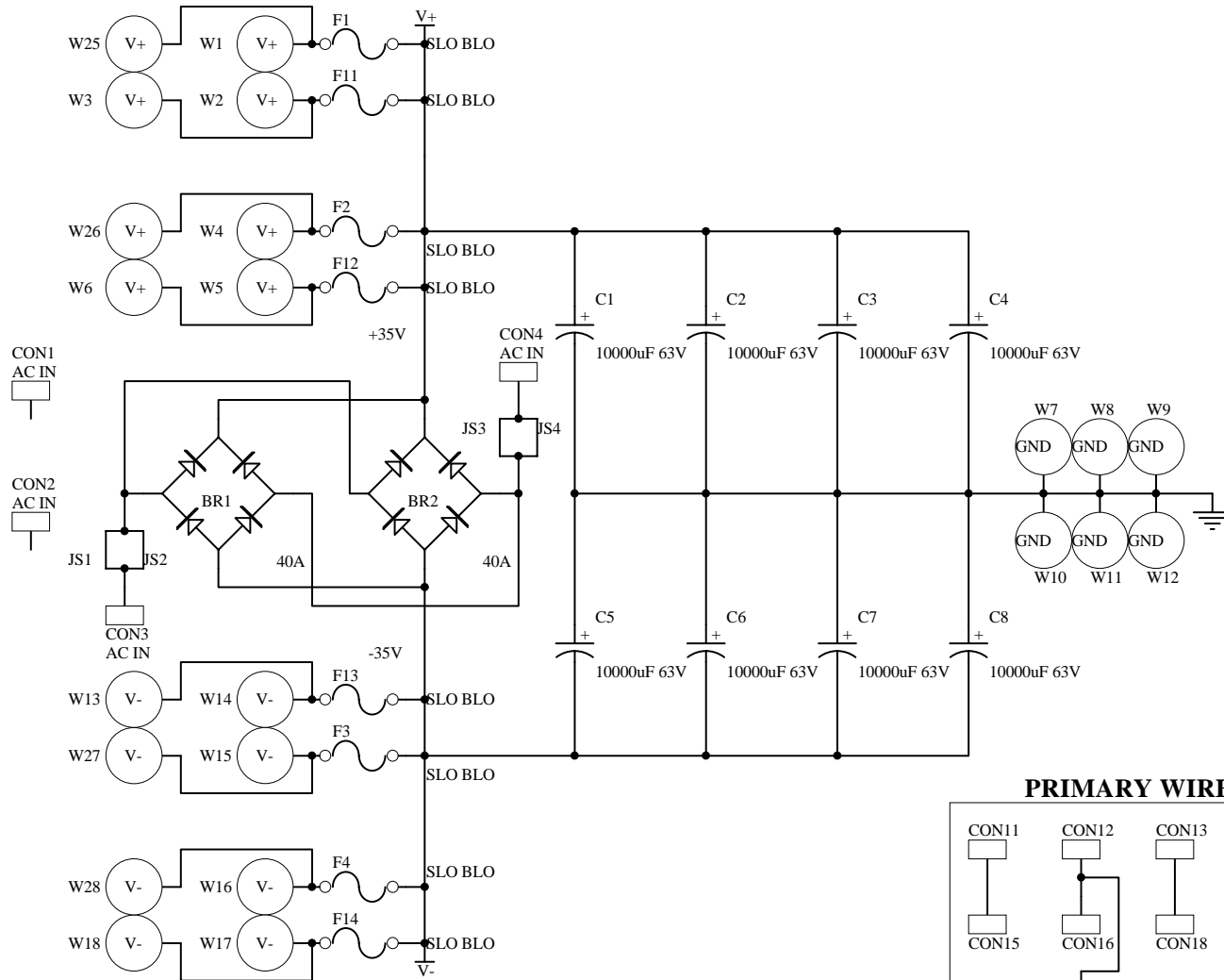


Title			
B&K 3-6 Zone Control Board		Revision	
Size	Number	1382600	A
Date:	22-Nov-2005	Sheet 1 of	RJD/ESM/SBS
File:	C:\BK_Data\C\Series_Mini_Step_Board	DR00000	DR00000

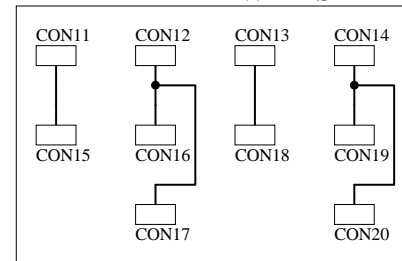


Title		3 - 6 channel power supply - low current	
Size	Number	Revision	
B	13149-0L	REV .	
Date:	28-Mar-2002	Sheet of	3 of 3
File:	C:\B&k_Data\6_Rev1\Rev-ddB\13149-00.d	Drawn By:	SBS/ESM

POWER SUPPLY

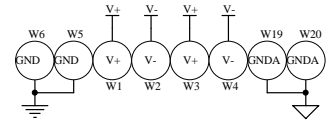
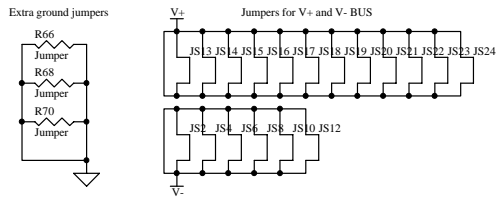
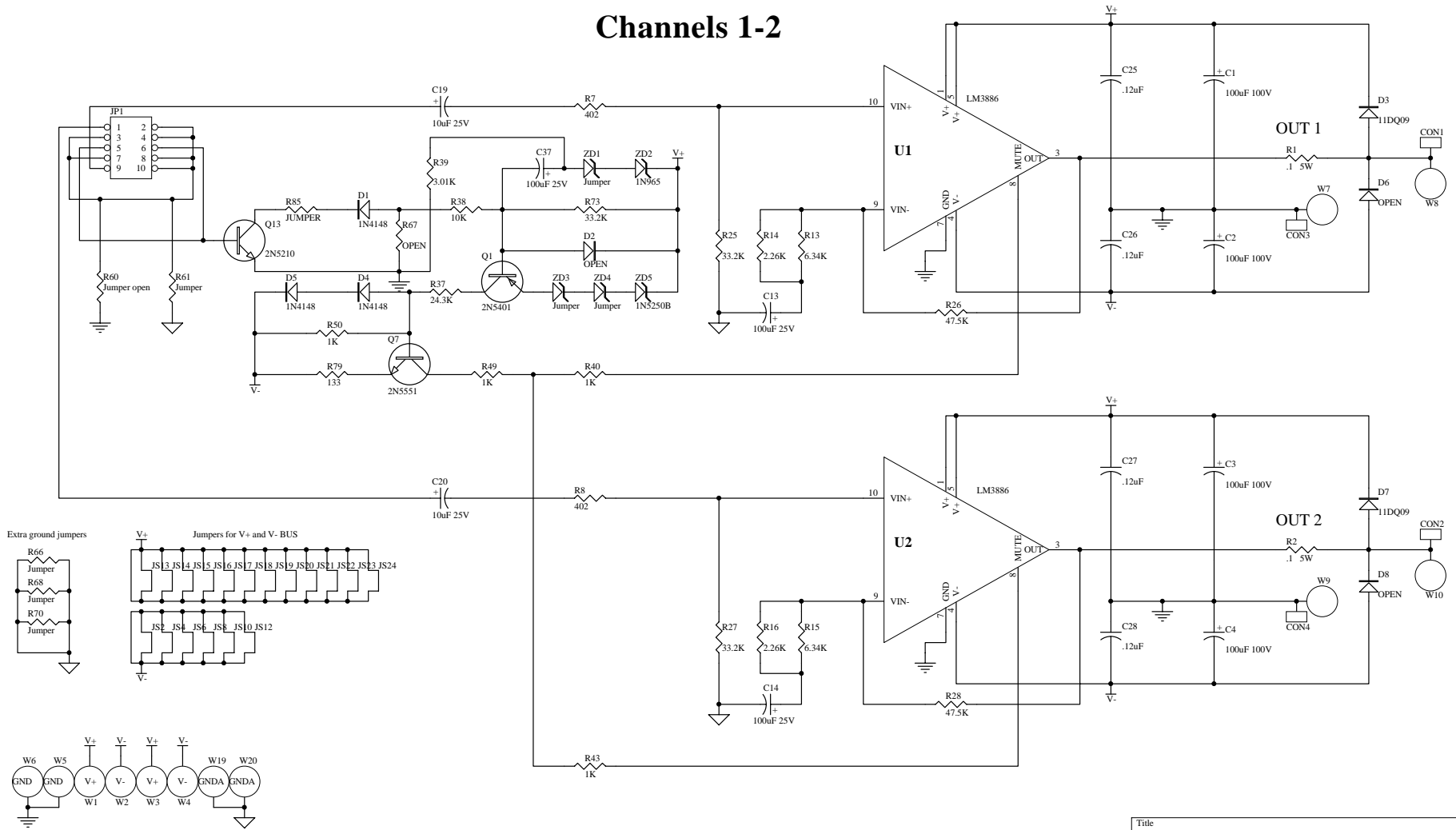


PRIMARY WIRES



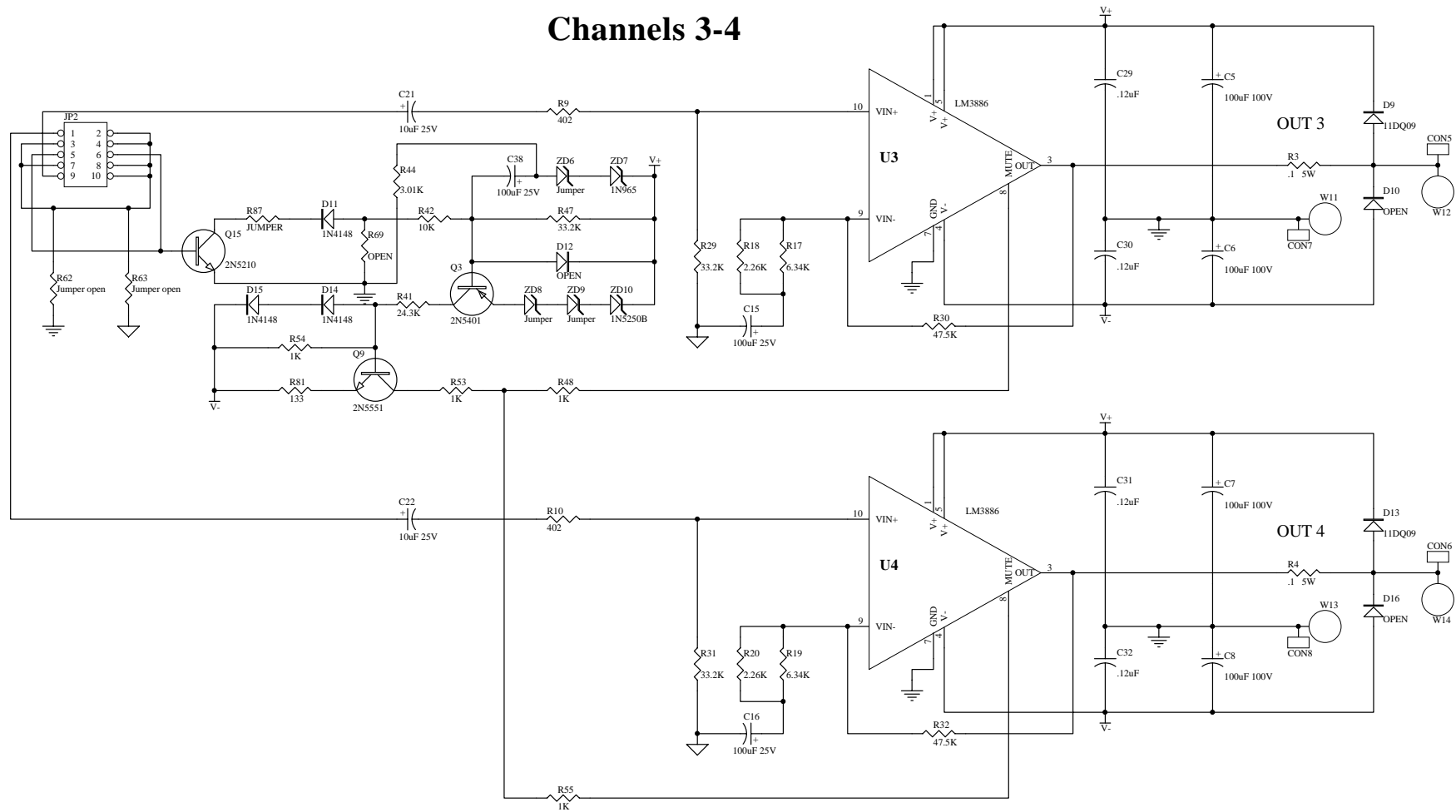
Title			
3-6 Channel Power Supply - High Current			
Size	Number	Revision	
A	13149-0H	Rev -	
Date:	28-Mar-2002	Sheet of	2 of 3
File:	C:\B&k_Data\6_Rev\Rev-ddB\13149-00.d	Drawn By:	SBS/ESM

Channels 1-2



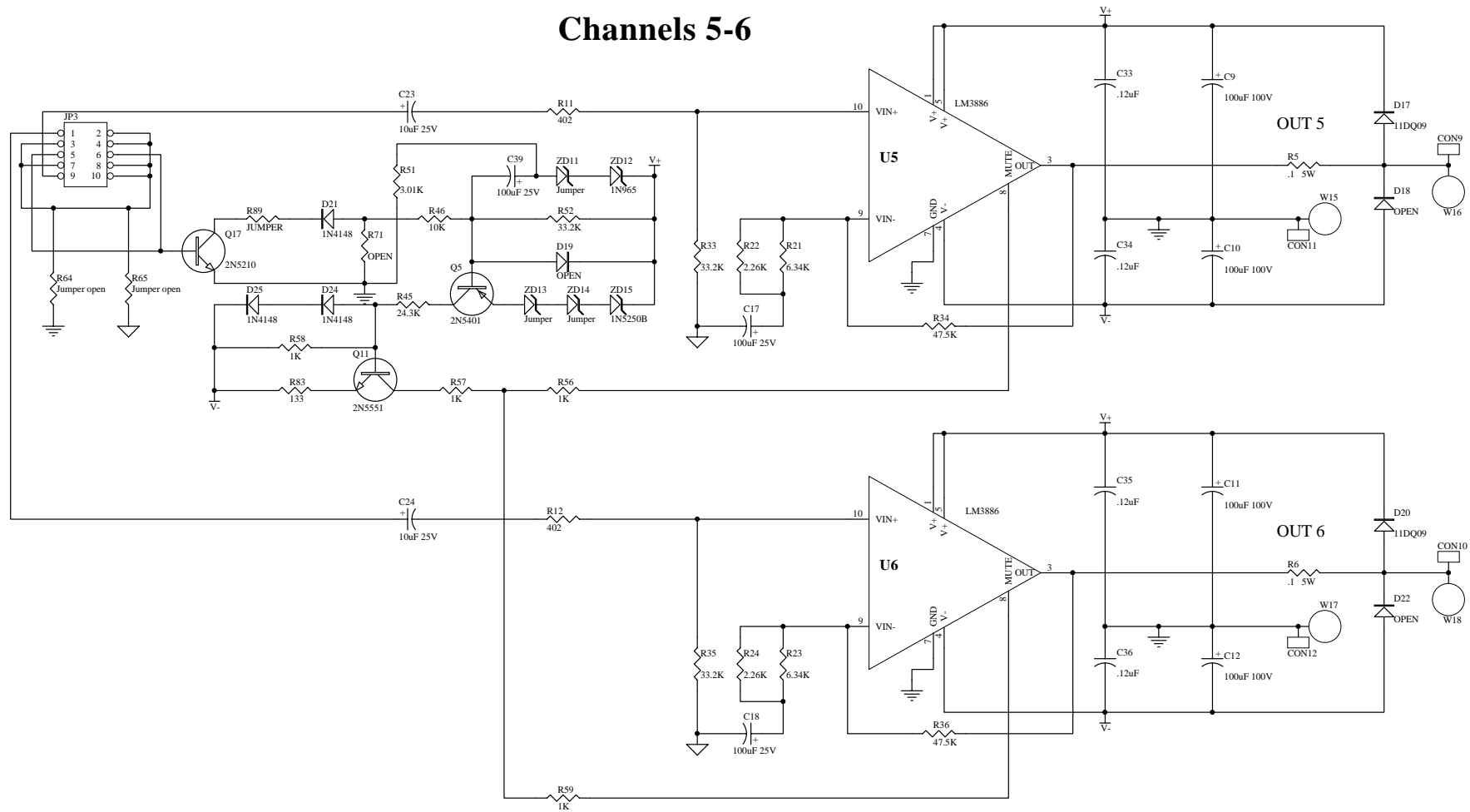
Title		
2600 / 1260 Channel 1-2 output		
Size	Number	Revision
B	12927600-1-2	Rev B
Date:	28-Mar-2002	Sheet of 1 of 4
File:	C:\B&k Data\6_Rcvr\12927600.ddb	Drawn By: SBS:ESM

Channels 3-4

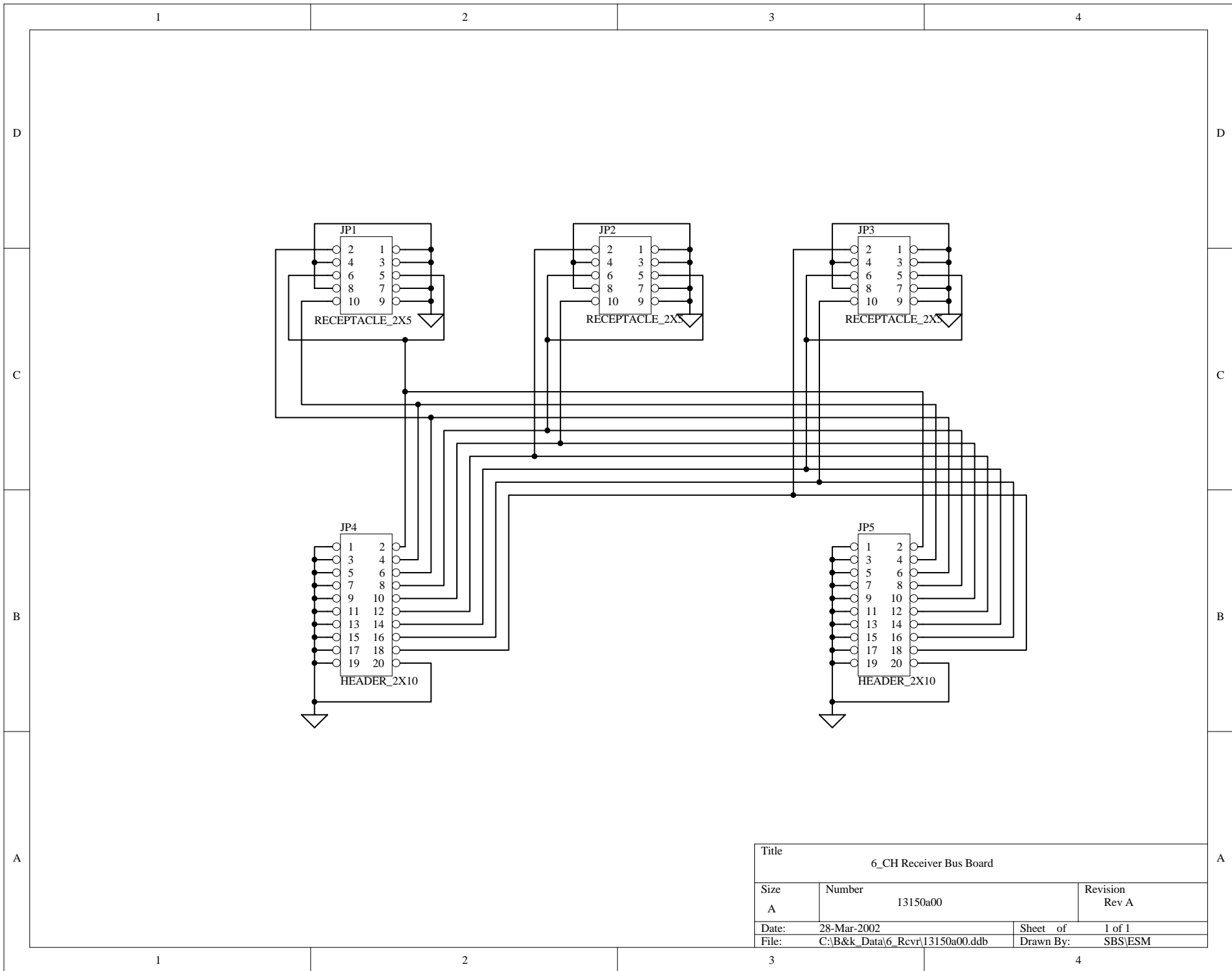


Title			
2600 / 1260 Channel 3-4 output			
Size	Number	Revision	
B	12927600-3-4	Rev B	
Date:	28-Mar-2002	Sheet of	2 of 4
File:	C:\B&k Data\6_Rev\12927600.ddb	Drawn By:	SBS:ESM

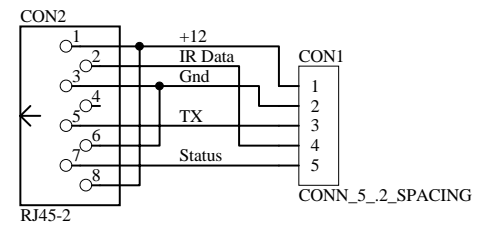
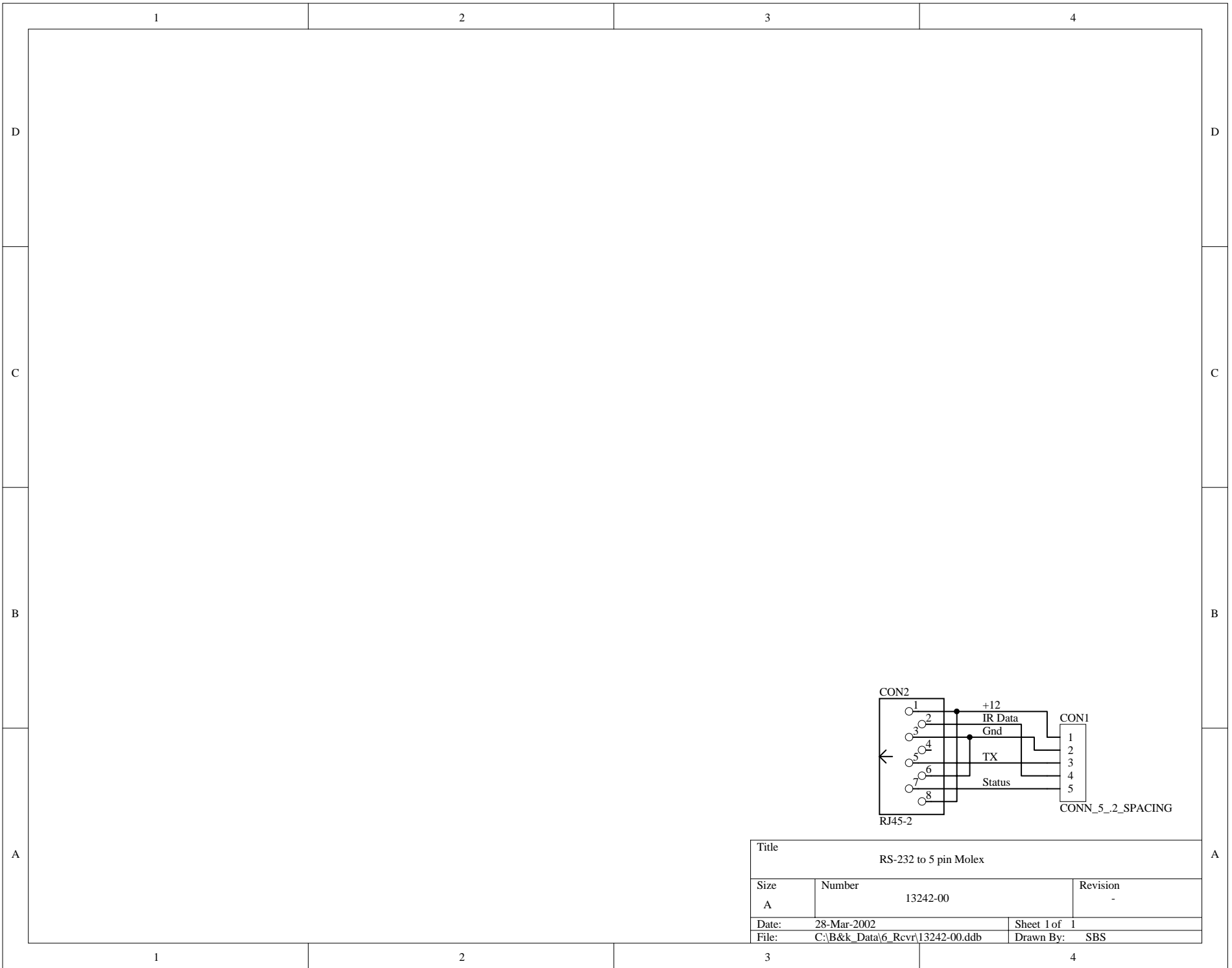
Channels 5-6



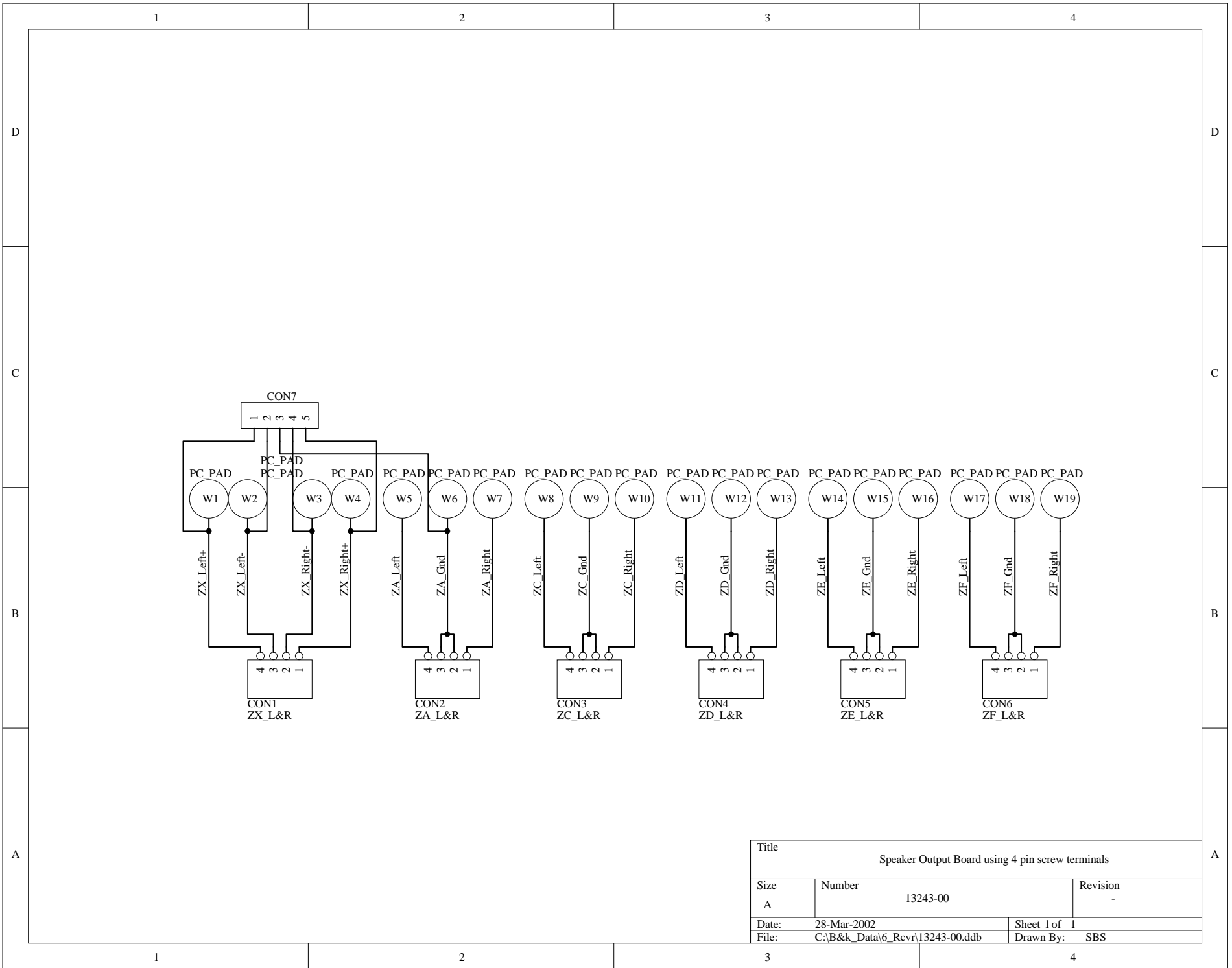
Title			
2600 / 1260 Channel 5-6 output			
Size	Number	Revision	
B	12927b00-5-6	Rev B	
Date:	28-Mar-2002	Sheet of	3 of 4
File:	C:\B&k_Data\6_Rev\12927b00.ddb	Drawn By:	SBS:ESM



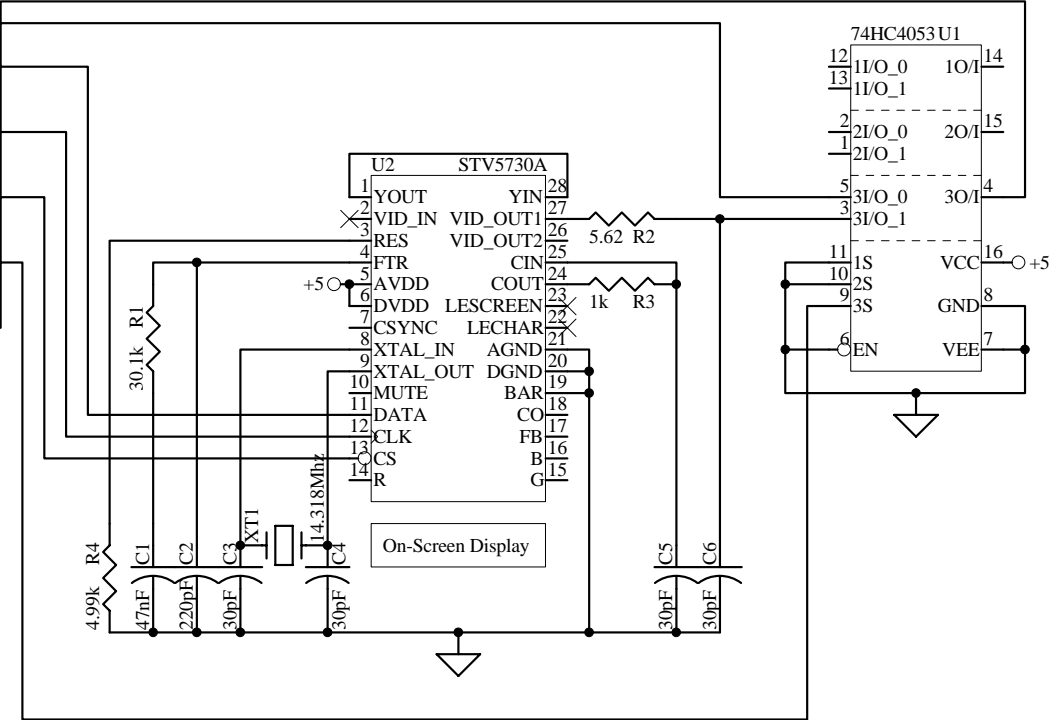
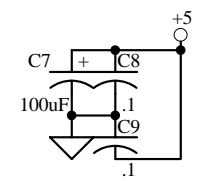
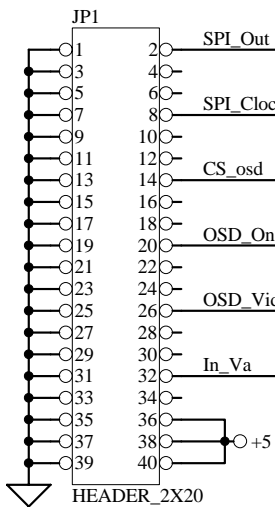
Title			
6_CH Receiver Bus Board			
Size	Number	Revision	
A	13150a00	Rev A	
Date:	28-Mar-2002	Sheet of	1 of 1
File:	C:\B&k_Data\6_Revr\13150a00.ddb	Drawn By:	SBS\ESM



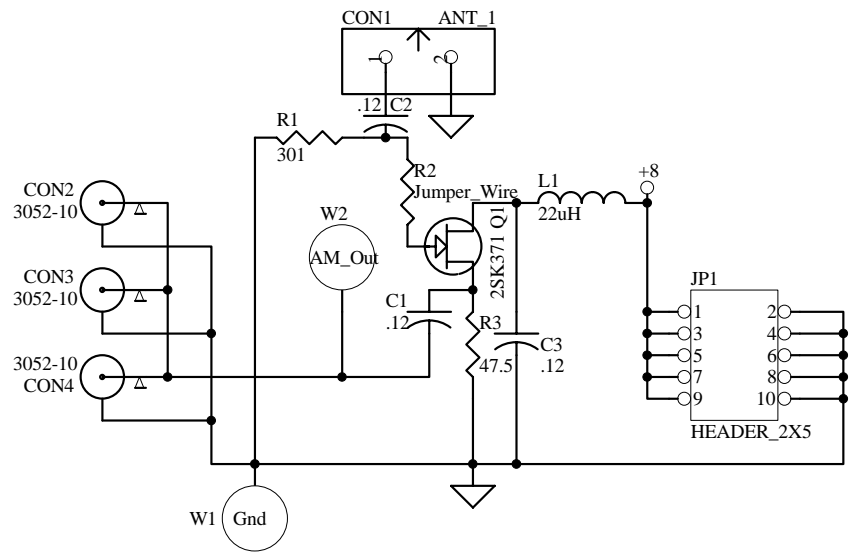
Title			RS-232 to 5 pin Molex		
Size	Number			Revision	
A	13242-00			-	
Date:	28-Mar-2002	Sheet 1 of 1			
File:	C:\B&k_Data\6_Rev\13242-00.ddb	Drawn By:		SBS	



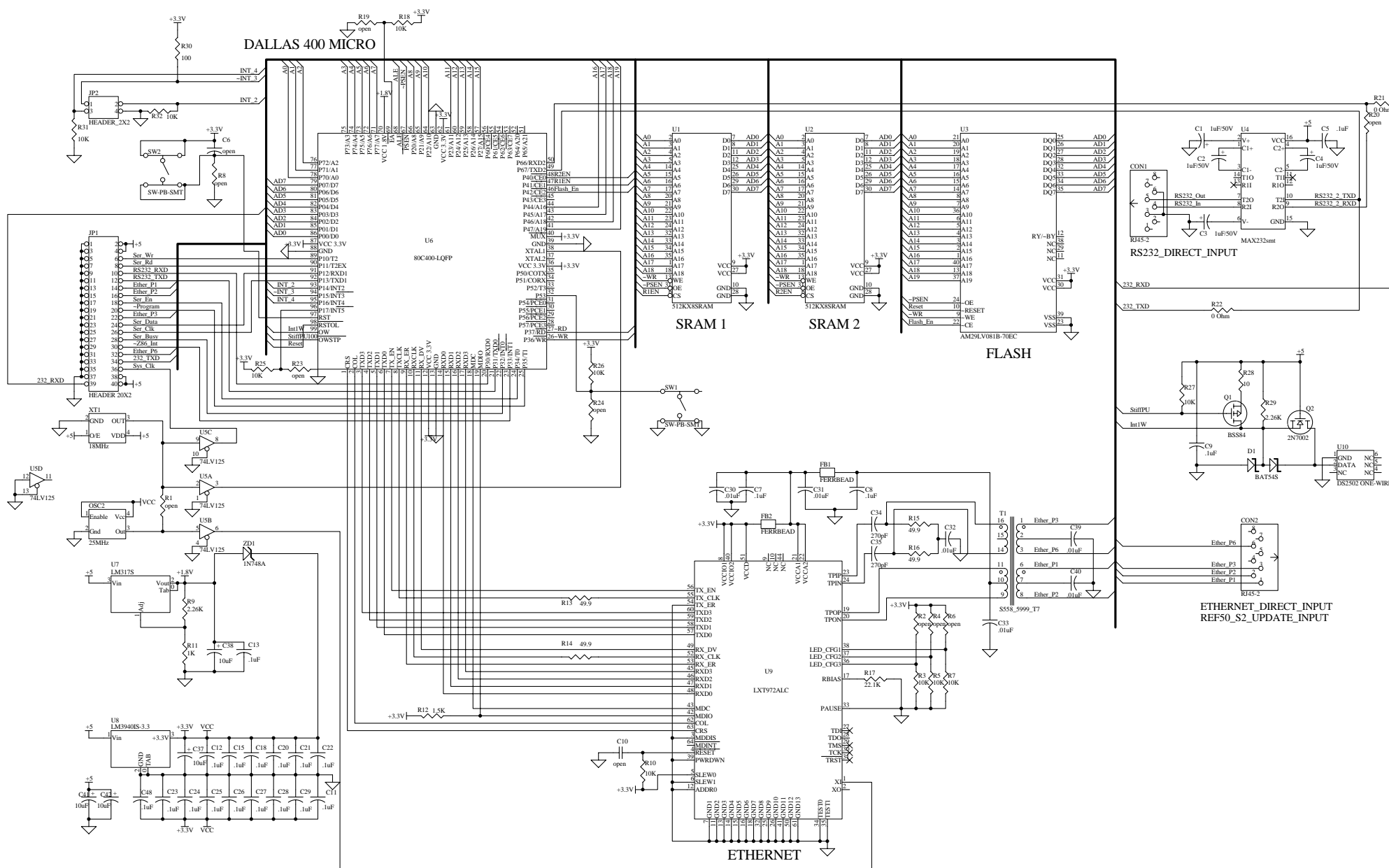
Title		
Speaker Output Board using 4 pin screw terminals		
Size	Number	Revision
A	13243-00	-
Date:	28-Mar-2002	Sheet 1 of 1
File:	C:\B&k_Data\6_Rev\13243-00.ddb	Drawn By: SBS



Title			Video OSD Board for CT Product		
Size	Number	Revision			
A	13844-00	REV -			
Date:	29-Jun-2006	Sheet of	1 of 1		
File:	C:\BK_Data\CTSeries_Mini_Step_Boards\13844-00.d6SBS				



Title			AM Tuner Board for CT product		
Size	Number			Revision	
A	13845a00			REV A	
Date:	29-Jun-2006	Sheet of	1 of 1		
File:	C:\BK_Data\CTSeries_Mini_Step_Boards\13845a00.dds				



Title		
DALLAS 400 MICRO-CONTROLLER BOARD with RS-232 and Ethernet		
Size	Number	Revision
C	13827600	B
Date:	29-Jun-2006	Sheet of 1 of 1
File:	C:\BK_Data\C\Series_Mtm_Sep_Board\044\WB_Files\13827600\86670D.DSN	