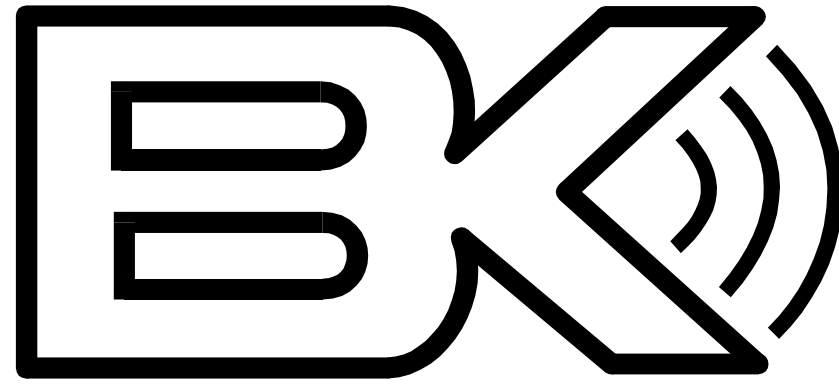


# **AV5000 Series II**

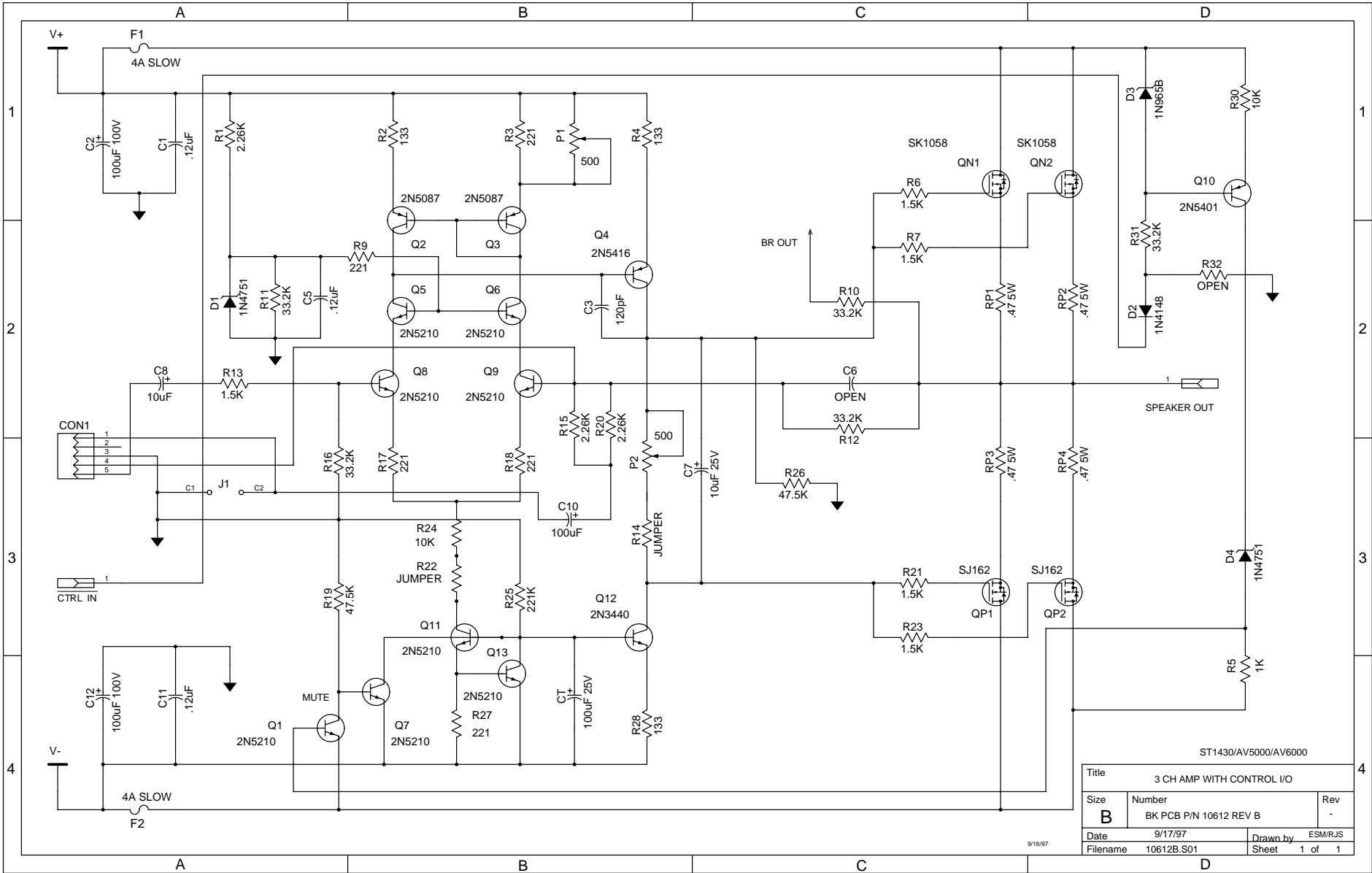
## **SERVICE MANUAL**

B&K COMPONENTS, LTD.  
2100 Old Union Road  
Buffalo, New York 14227-2725  
U.S.A.



# Schematics

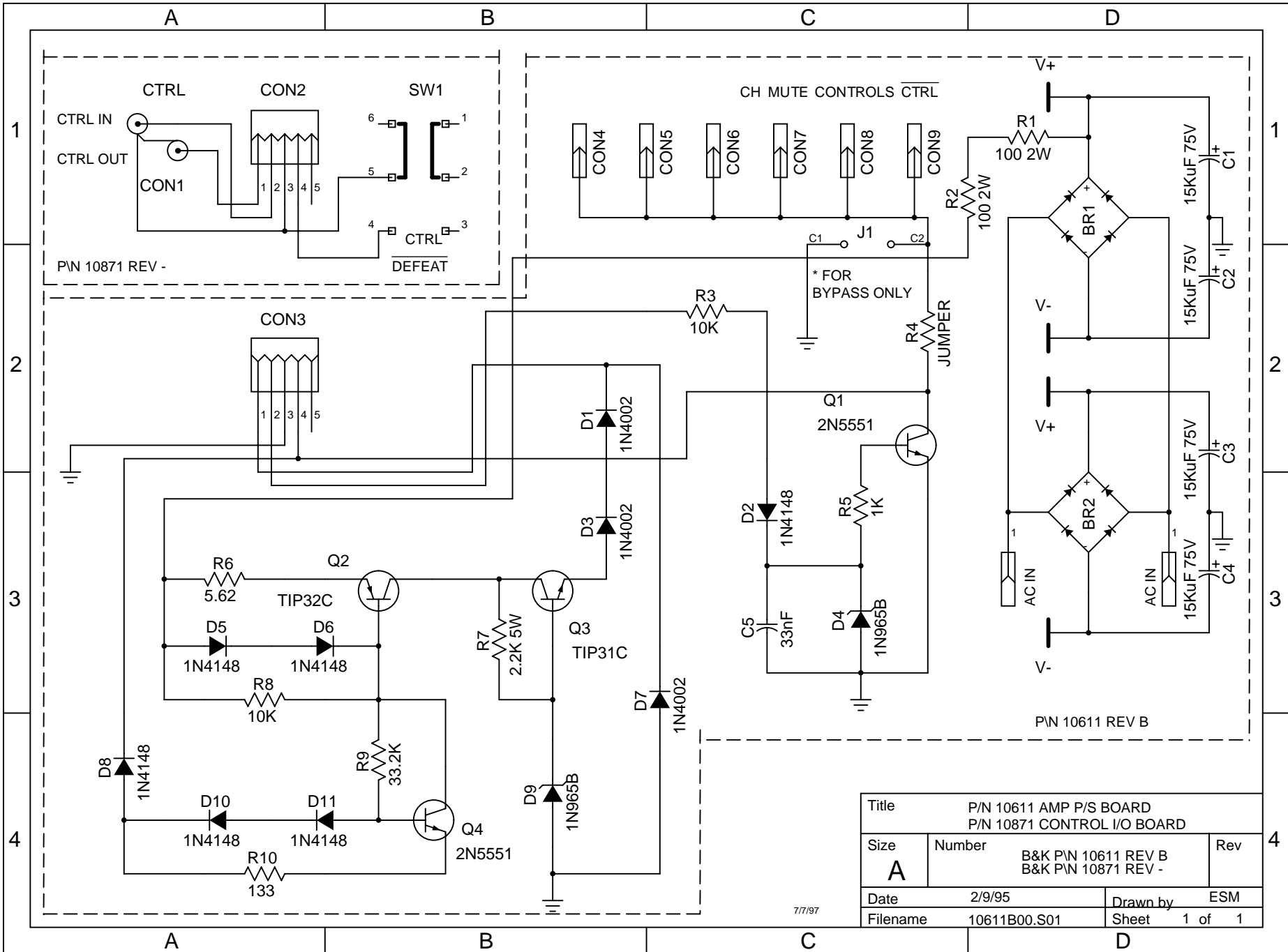
B&K COMPONENTS, LTD.  
2100 Old Union Road  
Buffalo, New York 14227-2725  
U.S.A.



ST1430/AV5000/AV6000

Title			3 CH AMP WITH CONTROL I/O		
Size	Number	Rev			
<b>B</b>	BK PCB P/N 10612 REV B				
Date	9/17/97	Drawn by	ESM/RJS		
Filename	10612B.S01	Sheet	1 of 1		

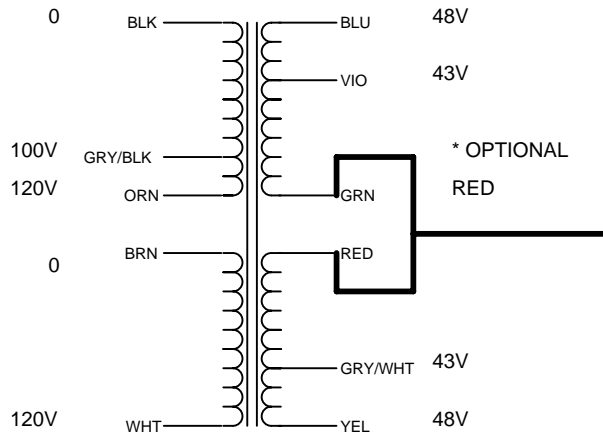
9/16/97



Title			
P/N 10611 AMP P/S BOARD			
P/N 10871 CONTROL I/O BOARD			
Size	Number	Rev	
A	B&K P/N 10611 REV B B&K P/N 10871 REV -		
Date	2/9/95	Drawn by	ESM
Filename	10611B00.S01	Sheet	1 of 1

7/7/97

625VA MULTI SEC/PRI TOROID



THE SECONDARY VOLTAGES LISTED ARE FOR FULL LOAD CONDITIONS.

APPROX. MAX DIMENSIONS OF TOROIDAL TRANSFORMER:

HEIGHT: 3.5"

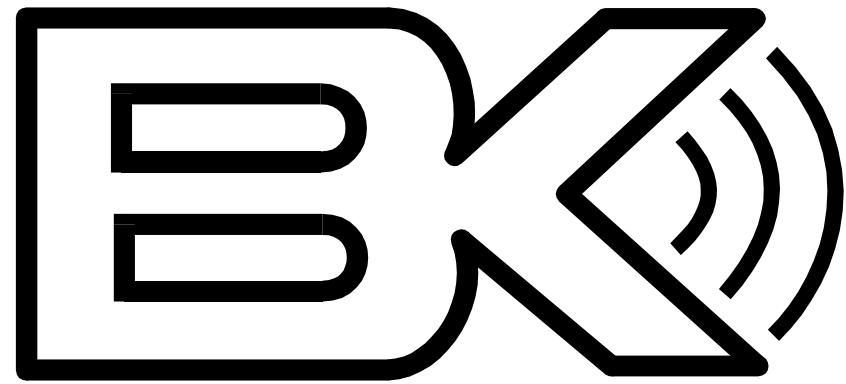
APPROX. MAX MOUNTING DIM. 6.0"

LEAD LENGTH: 9"

THE ABOVE PHYSICAL DIMENSIONS ARE MAXIMUM DIMENSIONS.

7/22/97

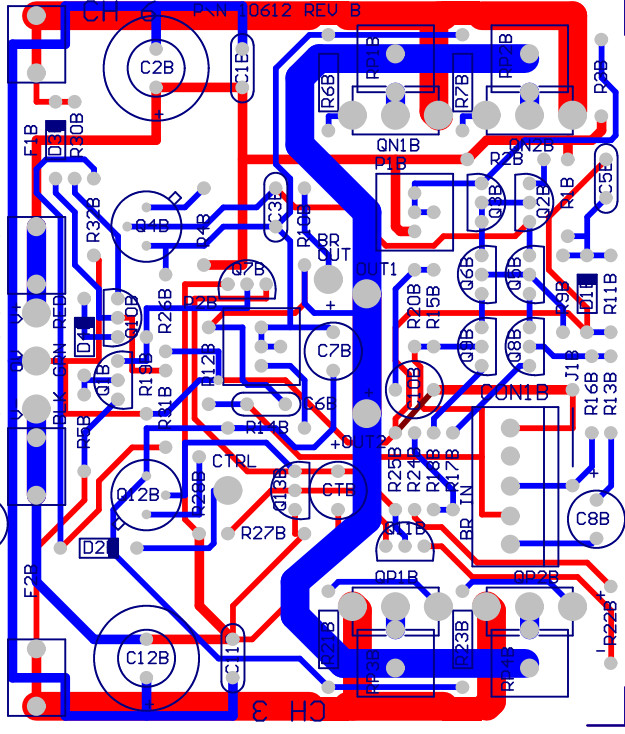
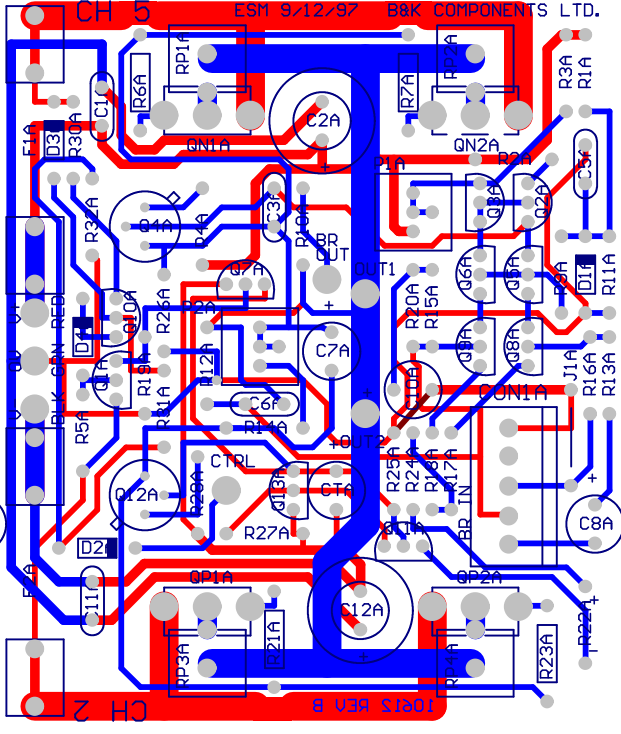
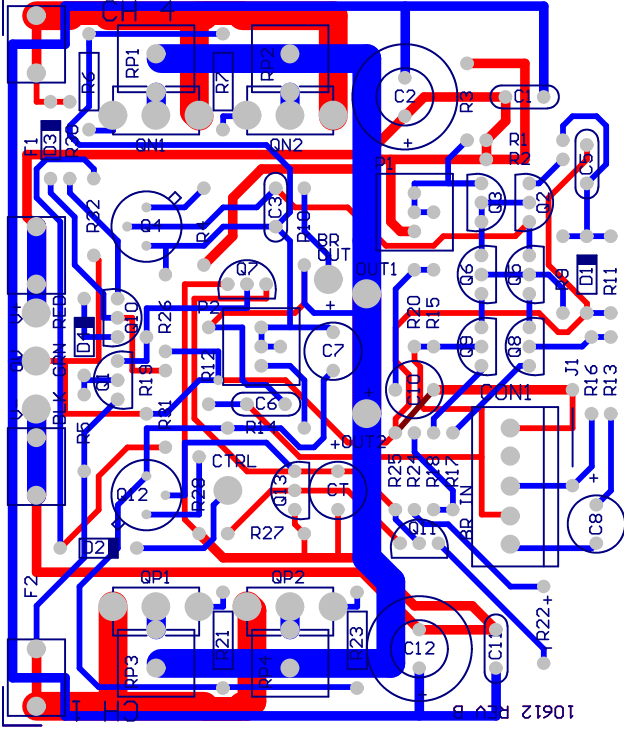
Title			
B&K COMPONENTS LTD.			
Size	Number	B&K P/N 10085	Rev
A	625VA MULTI SEC/PRI		-
Date	1/18/95	Drawn by	ESM
Filename	10085.S01	Sheet	1 of 1



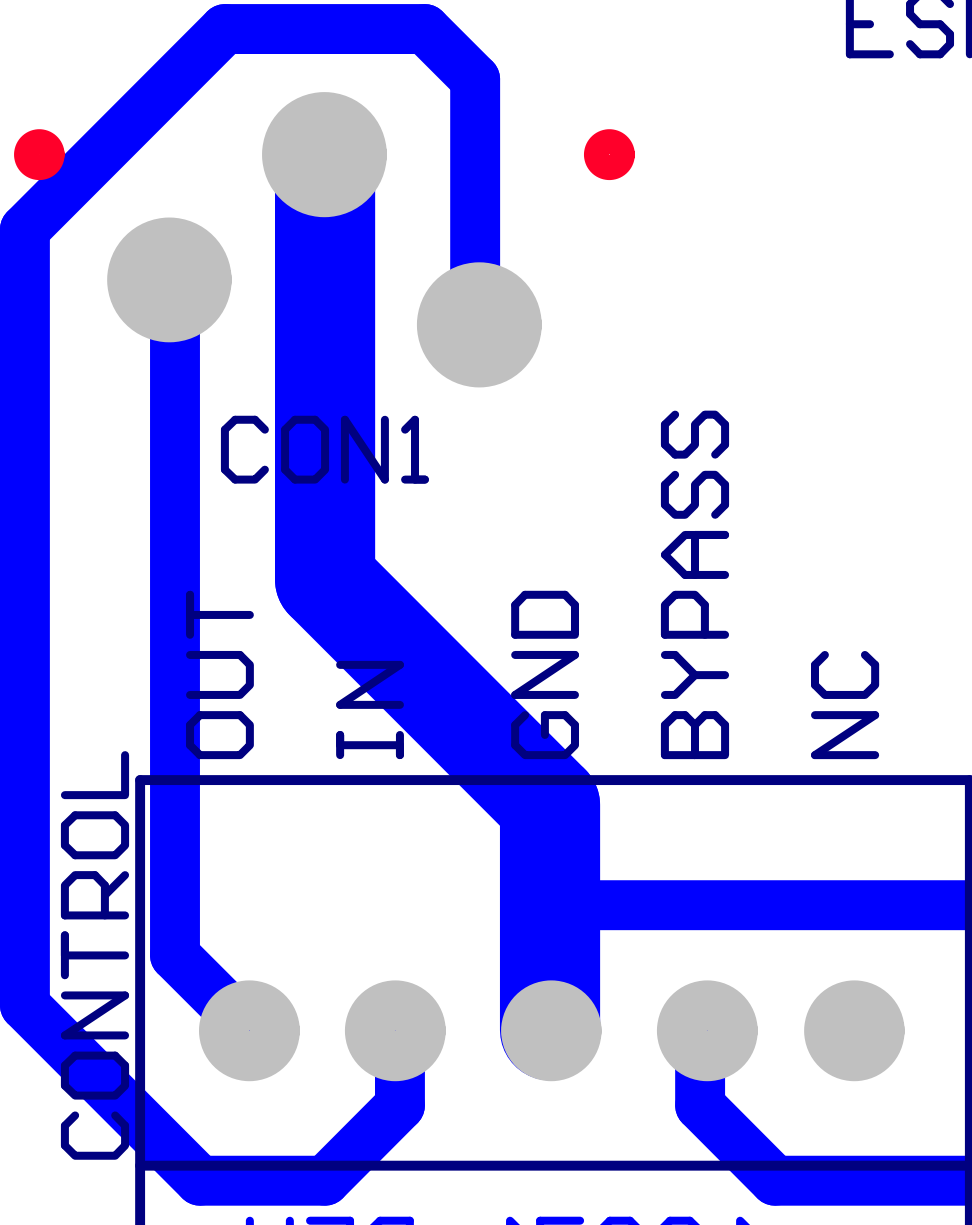
# Printed Circuit Boards

## PCB's

B&K COMPONENTS, LTD.  
2100 Old Union Road  
Buffalo, New York 14227-2725  
U.S.A.



ESM 2/28/95

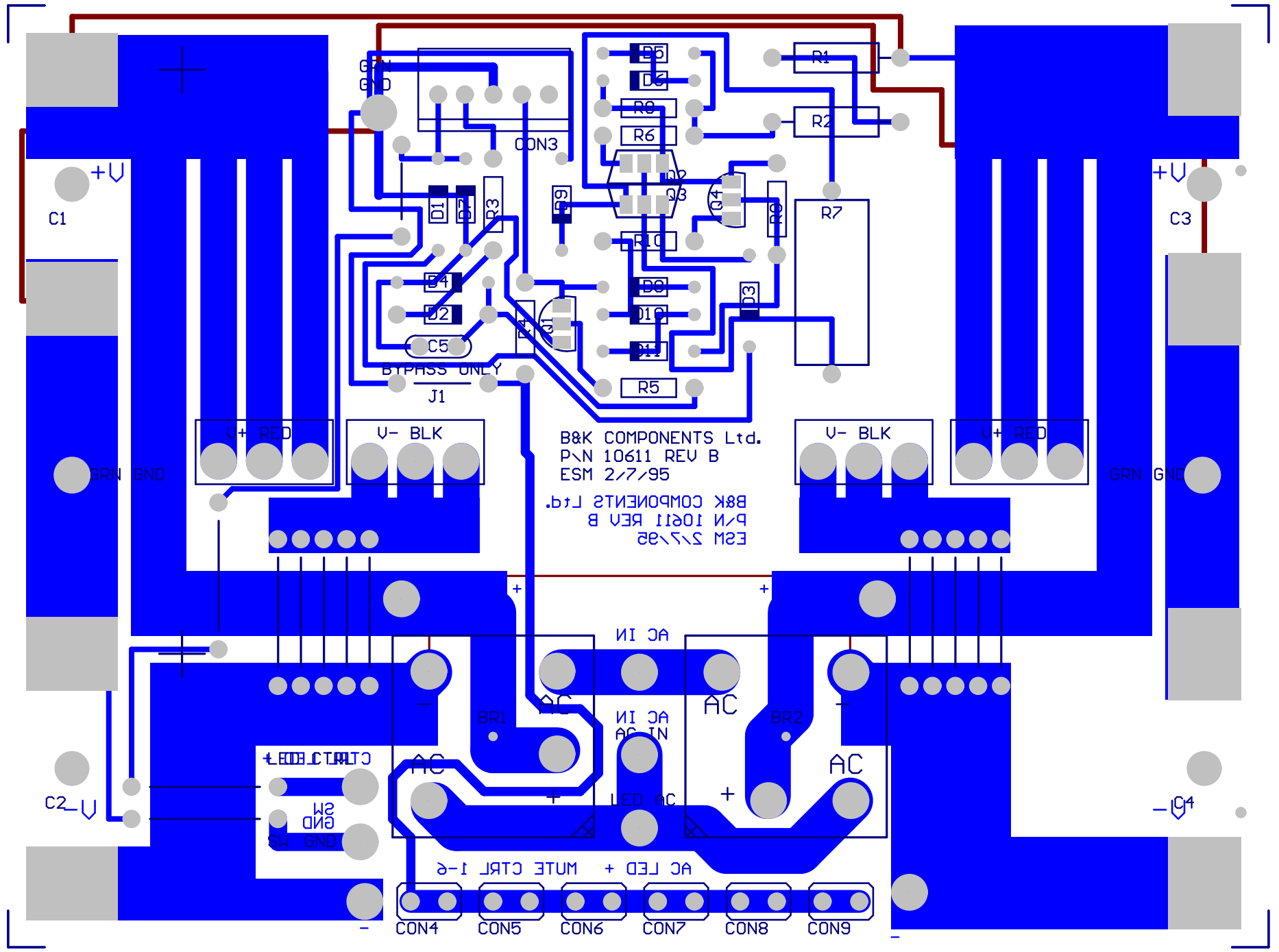


CON2 10871 REV 1

SW1

-





B&K COMPONENTS Ltd.  
P/N 10611 REV B  
ESM 2/7/95  
B&K COMPONENTS Ltd.  
P/N 10611 REV B  
ESM 2/7/95

CON4 CON5 CON6 CON7 CON8 CON9

AC LED + MUTE CTRL 1-6  
GND MS  
GND MS

BR1 AC  
AC IN  
AC IN  
BR2 AC

V+ RED  
V- BLK

V- BLK  
V+ RED

BYPASS ONLY  
J1

C1 +V

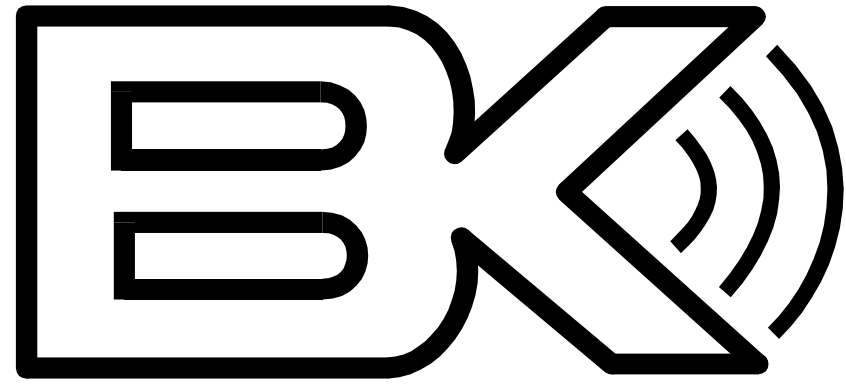
C3 +V

GRN GND

GRN GND

C2 -V

-V4



# Bill of Materials

## BOM's

B&K COMPONENTS, LTD.  
2100 Old Union Road  
Buffalo, New York 14227-2725  
U.S.A.

Bill of Material for P/N 10612  
ST1430/AV5000/AV6000 3 CH AMP BOARD WITH CONTROL I/O

Comment	Pattern	Quantity	Components
.12uF	RAD200	9	C1, C1A, C1B, C5, C5A, C5B, C11, C11A, C11B
.47 5W	R5W.S	12	RP1, RP1A, RP1B, RP2, RP2A, RP2B, RP3, RP3A, RP3B, RP4, RP4A, RP4B
1.5K	RES400	3	R13, R13A, R13B
1.5K	RES500	12	R6, R6A, R6B, R7, R7A, R7B, R21, R21A, R21B, R23, R23A, R23B
100K	RES400	3	R8, R8A, R8B
100uF 100V	CAP200RP	6	C2, C2A, C2B, C12, C12A, C12B
100uF 25V	CAP200RP	3	C10, C10A, C10B
10K	RES400	3	R24, R24A, R24B
10uF 25V	CAP200RP	6	C7, C7A, C7B, C8, C8A, C8B
120pF	RAD200	3	C3, C3A, C3B
133	RES400	9	R2, R2A, R2B, R4, R4A, R4B, R28, R28A, R28B
17.4K	RES400	3	R29, R29A, R29B
1K	RES400	3	R30, R30A, R30B
1N4148	DIODE.4	3	D2, D2A, D2B
1N4751	D0-35	3	D1, D1A, D1B
2.26K	RES400	9	R1, R1A, R1B, R15, R15A, R15B, R20, R20A, R20B
221	RES400	15	R3, R3A, R3B, R9, R9A, R9B, R17, R17A, R17B, R18, R18A, R18B, R27, R27A, R27B
221K	RES400	3	R25, R25A, R25B
2N3440	TO5	3	Q12, Q12A, Q12B
2N5087	TO92	6	Q2, Q2A, Q2B, Q3, Q3A, Q3B
2N5210	TO92	24	Q1, Q1A, Q1B, Q5, Q5A, Q5B, Q6, Q6A, Q6B, Q7, Q7A, Q7B, Q8, Q8A, Q8B, Q9, Q9A, Q9B, Q11, Q11A, Q11B, Q13, Q13A, Q13B
2N5401	TO92	3	Q10, Q10A, Q10B
2N5416	TO5	3	Q4, Q4A, Q4B
3.01K	RES400	3	R5, R5A, R5B
33.2K	RES400	15	R10, R10A, R10B, R11, R11A, R11B, R12, R12A, R12B, R16, R16A, R16B, R31, R31A, R31B
47.5K	RES400	6	R19, R19A, R19B, R26, R26A, R26B
5 PIN MALE	MOLEX5	3	CON1, CON1A, CON1B
500	TRIMPOT	6	P1, P1A, P1B, P2, P2A, P2B
FUSE 4A SB	FUSE.3AG	6	F1, F1A, F1B, F2, F2A, F2B
OPEN	AXIAL500	9	R14, R14A, R14B, R22, R22A, R22B, R32, R32A, R32B
OPEN	RAD200	3	C6, C6A, C6B
SJ162	TO3P	6	QP1, QP1A, QP1B, QP2, QP2A, QP2B
SK1058	TO3P	6	QN1, QN1A, QN1B, QN2, QN2A, QN2B
WIRE	JUMP.5	3	J1, J1A, J1B

Bill of Material for P/N 10611  
 POWER SUPPLY BOARD FOR LARGE CHASSIS AMPS

Comment	Pattern	Quantity	Components
100 2W	AXIAL0.7	2	R1, R2
10K	RES500	2	R3, R8
133	RES500	1	R10
15000uF 75V	PCAP.BIG	4	C1, C2, C3, C4
1K	RES500	1	R5
1N4002	D0-35	3	D1, D3, D7
1N4148	D0-35	6	D2, D5, D6, D8, D10, D11
1N965B	D0-35	2	D4, D9
2.2K 5W	RES5WAXIAL	1	R7
2N5551	TO92	2	Q1, Q4
33.2K	RES500	1	R9
33nF	RAD200	1	C5
400V 40A	BRIDGE.HP	2	BR1, BR2
5 PIN	MOLEX5	1	CON3
5.62	RES500	1	R6
JUMPER	JUMP.5	1	J6
JUMPER	JUMP.8	13	J2, J3, J4, J5, J7, J8, J9, J10, J11, J12, J13, J14, J15
JUMPER	RES500	1	R4
PCB FASTON	FASTON.25	6	CON4, CON5, CON6, CON7, CON8, CON9
TIP31C	TO220	1	Q3
TIP32C	TO220	1	Q2
OPEN	AXIAL500	1	J1