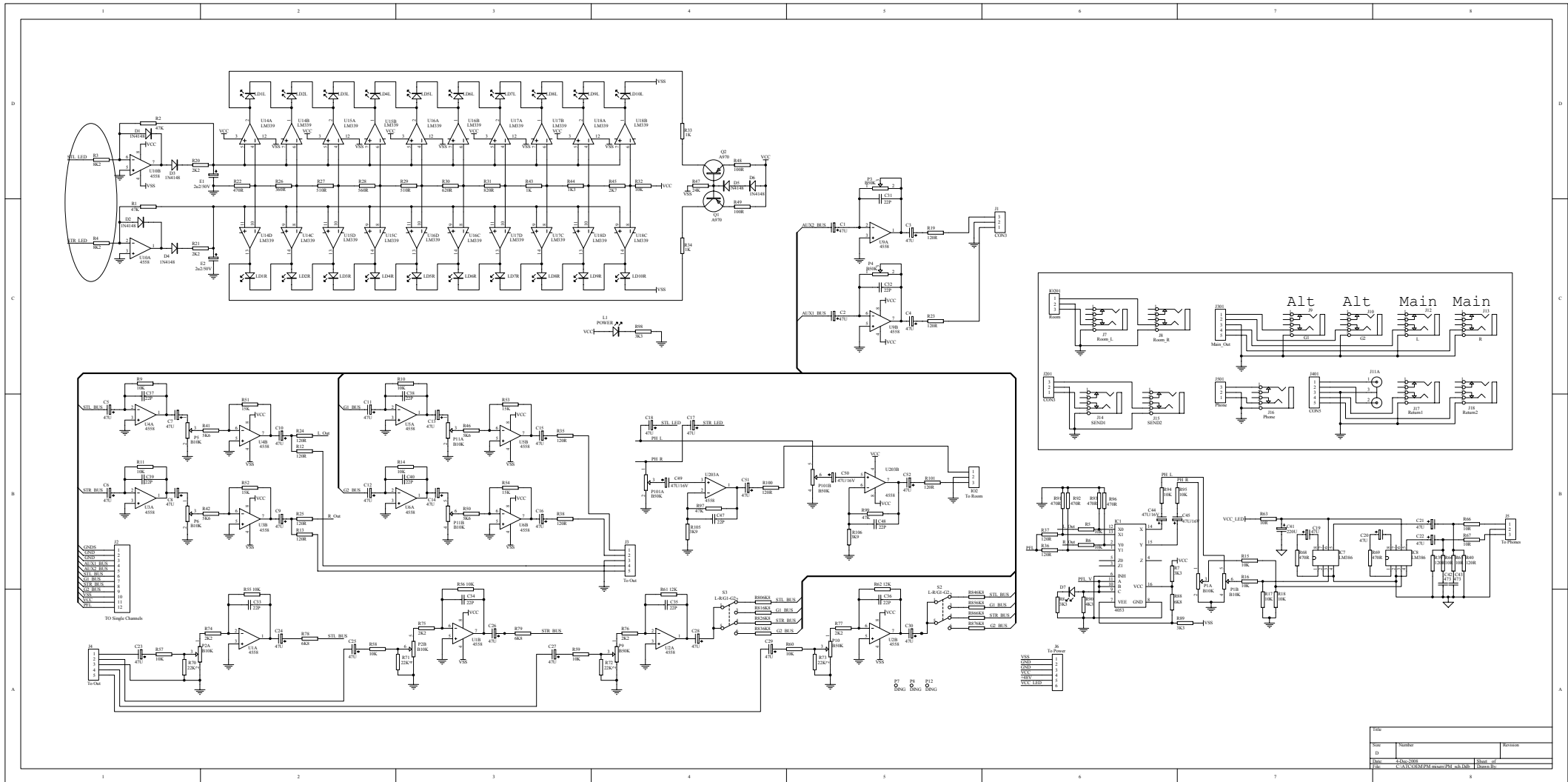
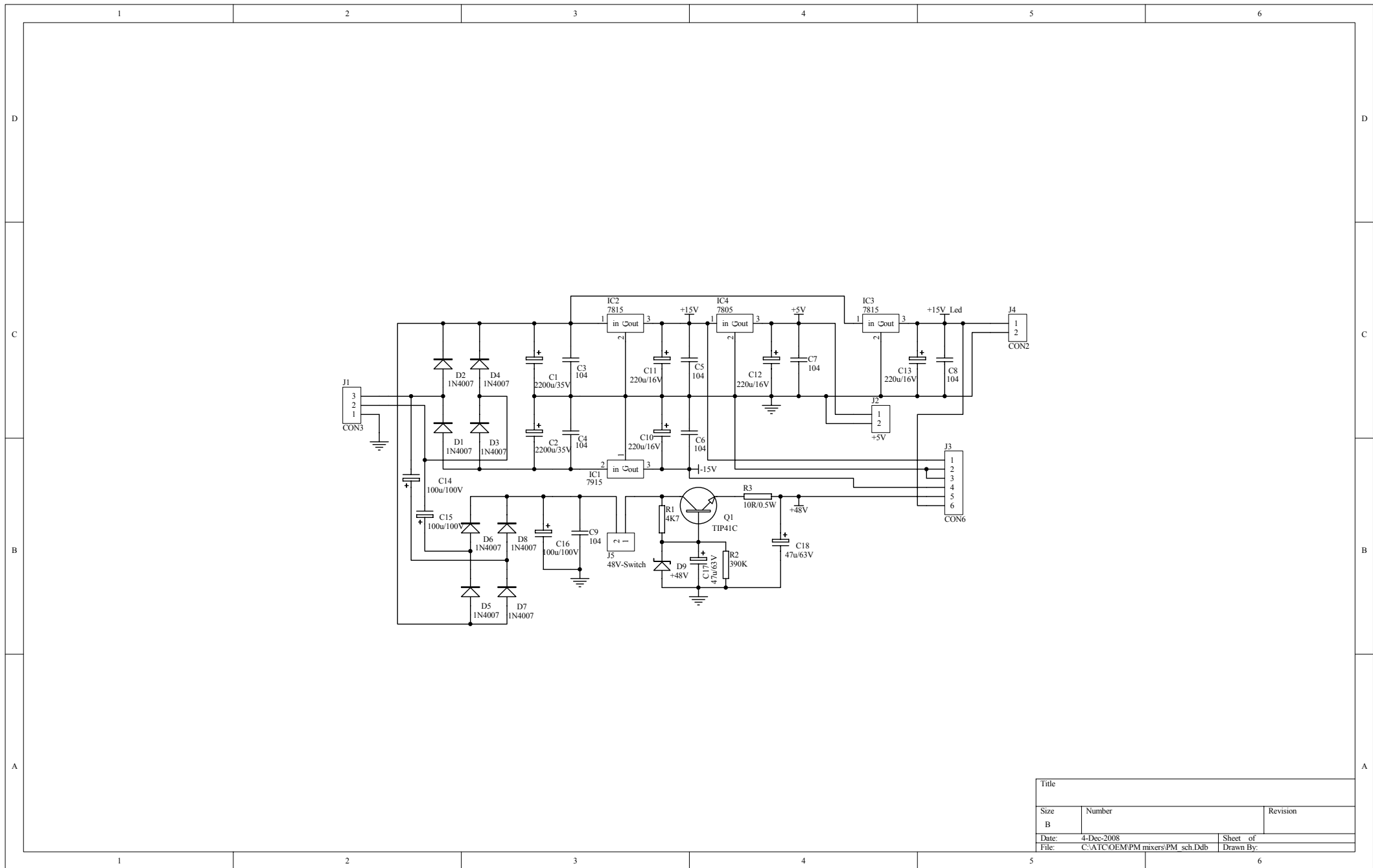


ΔΨΑ	ΌΨΙ	μΌ2οΨ50Ψ
αεΌ.Ε	Ε.Ό.ΕΨ	05/06/07
ΕόΨ.Ε	Ψ.ΔΨ%	Άσ.ε.Ό.Ψ.Ψ
Εό.Ά.Ψ		



REV			
REV	Number	Description	Revision
D			
DATE	2008-08-01	Sheet 4 of 4	
FILE	C:\ALICUM\DM\main_P1_sub18P_1.dsn		



Title		
Size	Number	Revision
B		
Date:	4-Dec-2008	Sheet of
File:	C:\ATC\OEM\PM mixers\PM_sch.Ddb	Drawn By: