

NOTE: ALL RESISTORS ARE 0.6 WATT EXCEPT WHERE NOTED.

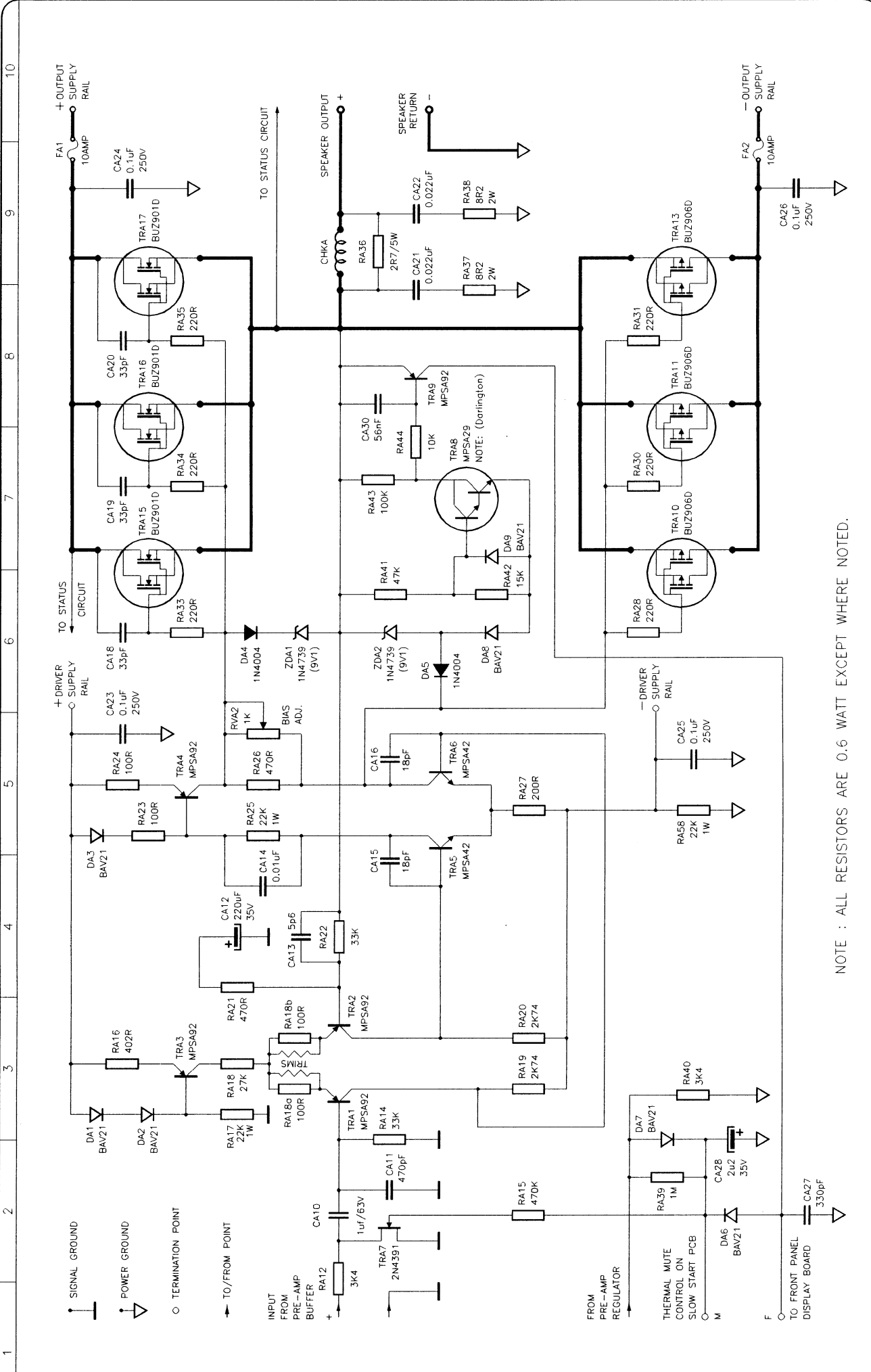
REV	ECO	REVISION NOTE	DRN	APP	DATE
A		ORIGINAL	Smcl		21/4/99
B					
C					
D					
E					
F					
G					

PRODUCT	PA1500
ASPECT	INPUT STAGE
SHOWING	CIRCUIT AND VALUES
DRAWING/CAD REFERENCE	15_INS
REV	A
DATE	21-4-99
SHEET	1 OF 7

AUDIO TELEX COMMUNICATION P/L
 149 BEACONSFIELD STREET
 SILVERWATER NSW 2128
 Phone: 61-(0)2-9647-1411
 Fax: 61-(0)2-9748-2537

Australian Monitor

THIS DRAWING AND THE INFORMATION IT CONTAINS AND IMPLIES IS THE SOLE PROPERTY OF AUSTRALIAN MONITOR P/L AND CANNOT BE REPRODUCED IN ANY FORM WITHOUT PRIOR APPROVAL © 1999



NOTES: TRA16 HAS ADDED HEATSINKING.
 RA18a/b NEED TO BE TRIMMED TO REDUCE DC OFFSET TO LESS THAN +/-1mV.
 RA18g IS TRIMMED IF OFFSET IS POSITIVE
 RA18b IS TRIMMED IF OFFSET IS NEGATIVE
 TRA8 = MPSA29 (DARLINGTON)

FROM PRE-AMP REGULATOR
 THERMAL MUTE CONTROL ON SLOW START PCB
 TO FRONT PANEL DISPLAY BOARD

TO STATUS CIRCUIT
 TO STATUS CIRCUIT
 SPEAKER OUTPUT
 SPEAKER RETURN
 + OUTPUT SUPPLY RAIL
 - OUTPUT SUPPLY RAIL

+ DRIVER SUPPLY RAIL
 - DRIVER SUPPLY RAIL

SIGNAL GROUND
 POWER GROUND
 TERMINATION POINT
 TO/FROM POINT
 INPUT FROM PRE-AMP BUFFER
 FROM FRONT PANEL DISPLAY BOARD

REVISION NOTE: ORIGINAL
 REV: A, B, C, D, E, F, G
 DRN APP DATE: SWEL 25/1/99

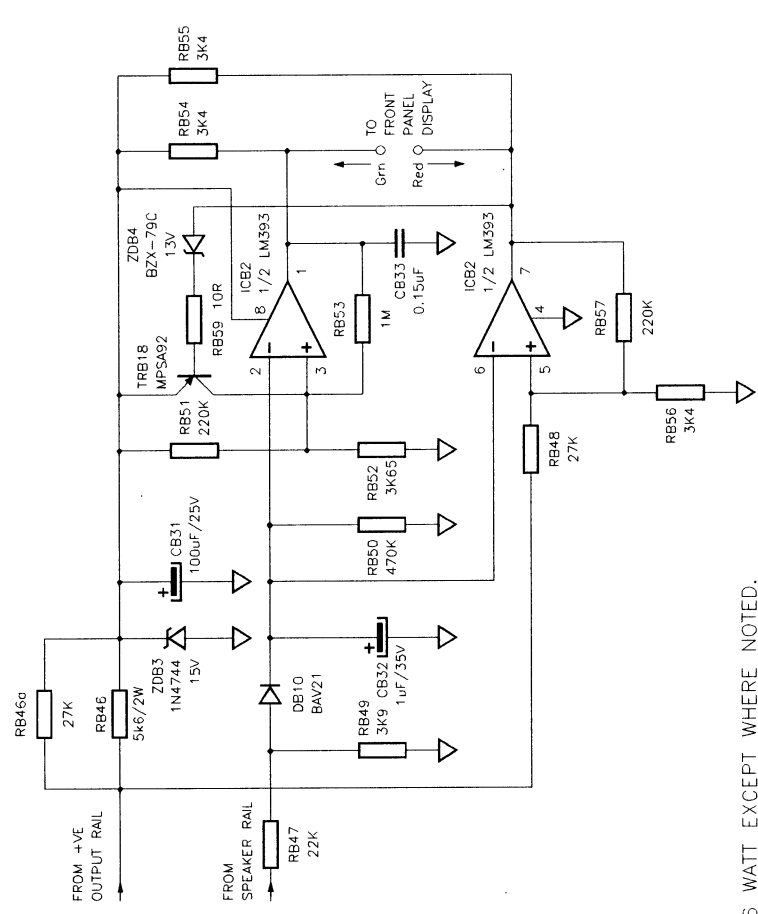
PRODUCT: PA1500
 ASPECT SHOWING: CH-A MAIN-AMP STAGE CIRCUIT AND VALUES
 DRAWING/CAD REFERENCE: 15A-MAS
 REV: A
 DATE: 23-4-99
 SHEET 2 OF 7

AUDIO TELEX COMMUNICATIONS P/L
 149 BEACONSFIELDS STREET
 SILVERWATER NSW 2128
 Phone: 61-(0)2-9647-1411
 Fax: 61-(0)2-9748-2537

Australian Monitor

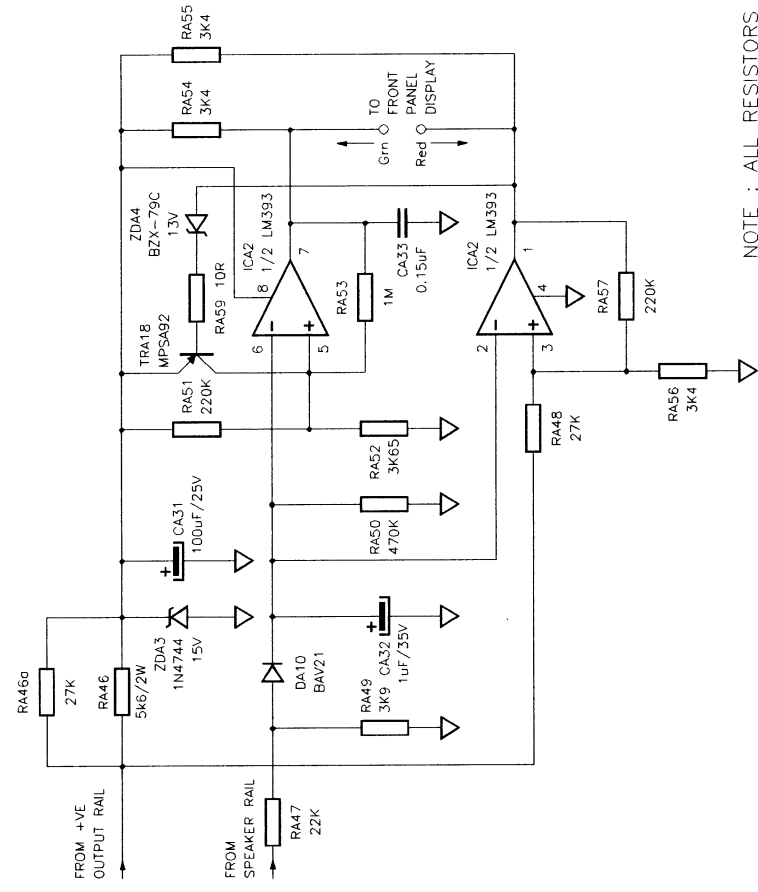
THIS DRAWING AND THE INFORMATION IT CONTAINS AND IMPLIES IS THE SOLE PROPERTY OF AUSTRALIAN MONITOR P/L AND CANNOT BE REPRODUCED IN ANY FORM WITHOUT PRIOR APPROVAL ©1999

NOTE : ALL RESISTORS ARE 0.6 WATT EXCEPT WHERE NOTED.



CH.A STATUS CIRCUIT

NOTE : ALL RESISTORS ARE 0.6 WATT EXCEPT WHERE NOTED.



CH.B STATUS CIRCUIT

 Australian Monitor		PRODUCT ASPECT SHOWING 15_STA		DRAWING/CAD REFERENCE A		DATE 21-4-99	
AUDIO TELEX COMMUNICATION P/L 149 BEACONSFIELD STREET SILVERWATER NSW 2128 Phone: 61-(0)2-9647-1411 Fax: 61-(0)2-9748-2537		PRODUCT ASPECT SHOWING PA1500		STATUS CIRCUIT CIRCUIT AND VALUES		SHEET 4 OF 7	
REV	ECO	REVISION NOTE	DRN	APP	DATE		
A		ORIGINAL	SMCL		21/4/99		
B							
C							
D							
E							
F							
G							

THIS DRAWING AND THE INFORMATION IT CONTAINS AND IMPLIES IS THE SOLE PROPERTY OF AUSTRALIAN MONITOR P/L AND CANNOT BE REPRODUCED IN ANY FORM WITHOUT PRIOR APPROVAL © 1999

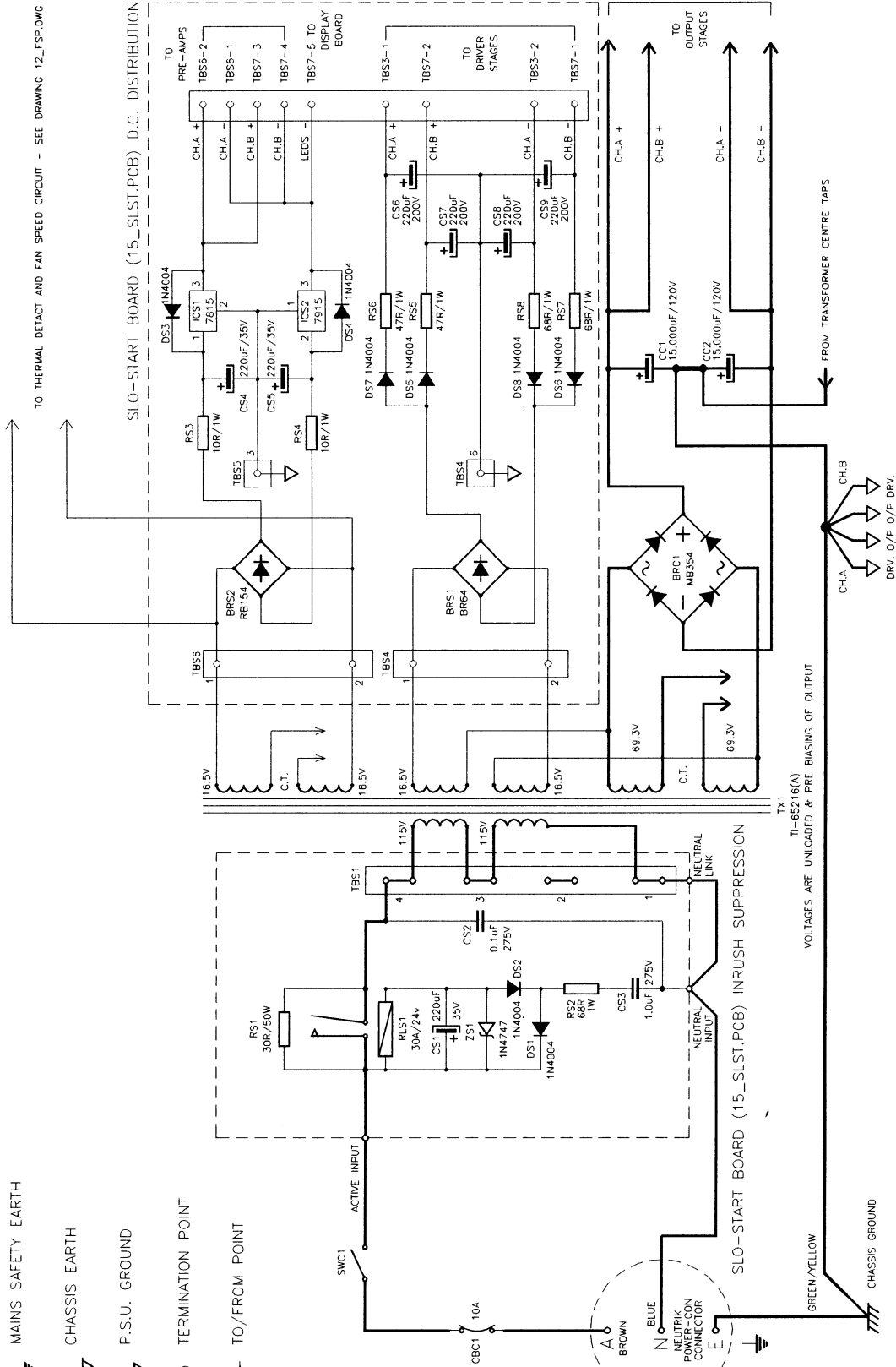
⏚ MAINS SAFETY EARTH

⏚ CHASSIS EARTH

⏚ P.S.U. GROUND

○ TERMINATION POINT

→ TO / FROM POINT



NOTE : ALL RESISTORS ARE 0.6 WATT EXCEPT WHERE NOTED.

THE RELAY CIRCUIT IS TOLERANCE SENSITIVE.
CS-3 MUST HAVE A TOLERANCE OF -0/+20%

REV	ECO	REVISION NOTE	DRN	APP	DATE
A		ORIGINAL	SMGL		5/5/99
B					
C					
D					
E					
F					
G					

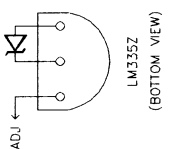
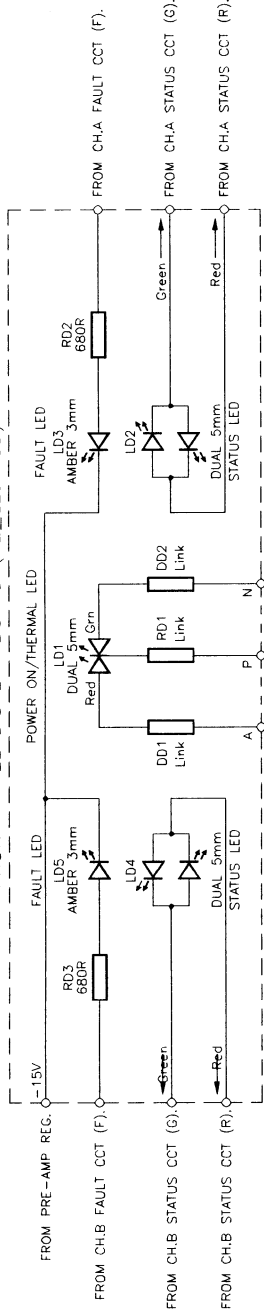
AUDIO TELEX COMMUNICATIONS P/L
149 BEACONSFIELD STREET
SILVERWATER NSW 2128
Phone: 61-(0)2-9647-1411
Fax: 61-(0)2-9748-2537



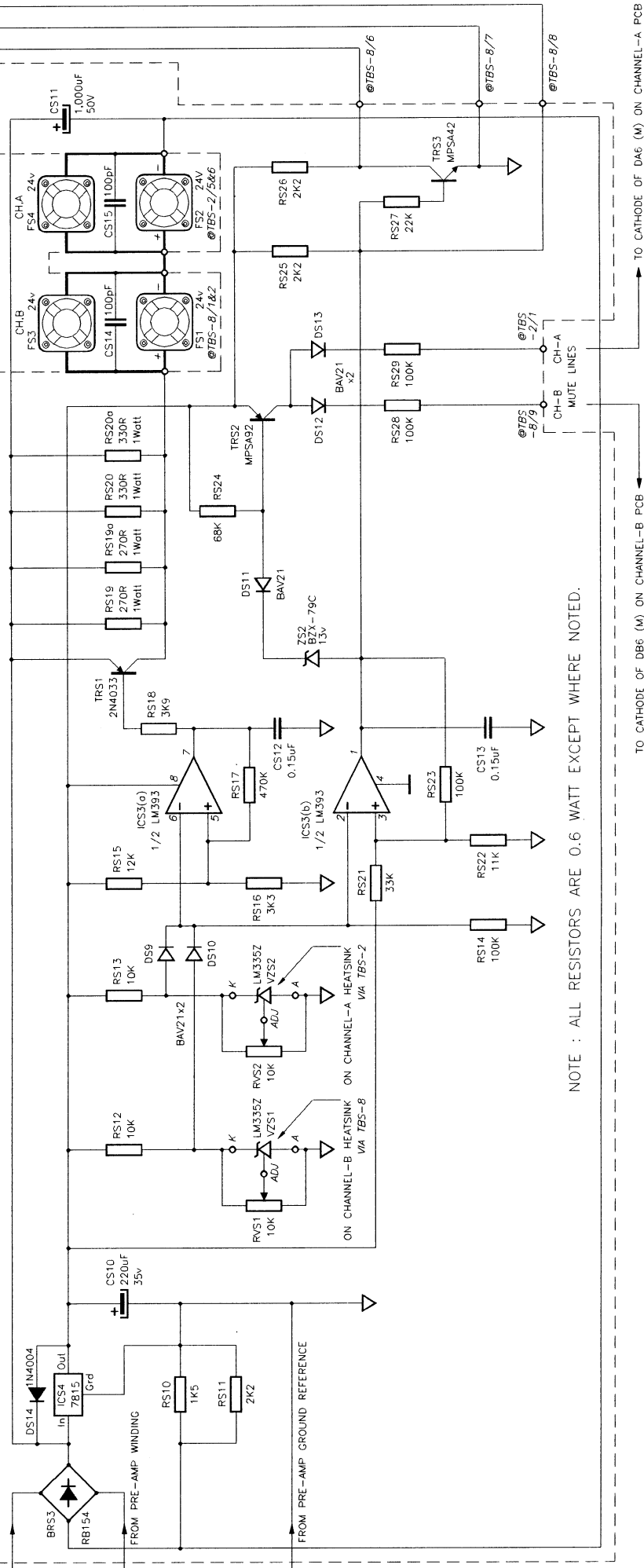
PRODUCT ASPECT SHOWING
DRAWING/CAD REFERENCE
POWER SUPPLY
CIRCUIT DIAGRAM re 230V

REV A
DATE 5-5-99
SHEET 5 OF 7

FRONT PANEL DISPLAY BOARD (12_LED.PCB)



THERMAL DETECT AND FAN SPEED CONTROL ON SLOW SMART BOARD (15_SLST.PCB)



NOTE : ALL RESISTORS ARE 0.6 WATT EXCEPT WHERE NOTED.

TO CATHODE OF DB6 (M) ON CHANNEL-B PCB

TO CATHODE OF DA6 (M) ON CHANNEL-A PCB

ES: THIS CIRCUIT SHOWS FAN SPEED AND THERMAL DETECTION. THE CIRCUITRY IS SHARED ON THE SLOW START UNITS CIRCUIT BOARD (15_SLST.PCB)

REV	ECO	REVISION NOTE	DRN	APP	DATE
A		ORIGINAL			5/5/99
B					
C					
D					
E					
F					
G					



Australian Monitor

by AUDIO TELEX COMMUNICATIONS P/L
 149 BEACONSFIELD STREET
 SILVERWATER NSW 2128
 Phone: 61-(0)2-9647-1411
 Fax: 61-(0)2-9748-2537

PRODUCT ASPECT SHOWING
 PA-1500 FAN SPEED CONTROL CIRCUIT AND VALUES

DRAWING/CAD REFERENCE
15_FSP

REV 3-5-99
A

DATE 3-5-99
 SHEET 6 OF 7

THIS DRAWING AND THE INFORMATION IT CONTAINS AND IMPLIES IS THE SOLE PROPERTY OF AUSTRALIAN MONITOR P/L AND CANNOT BE REPRODUCED IN ANY FORM WITHOUT PRIOR APPROVAL © 1999