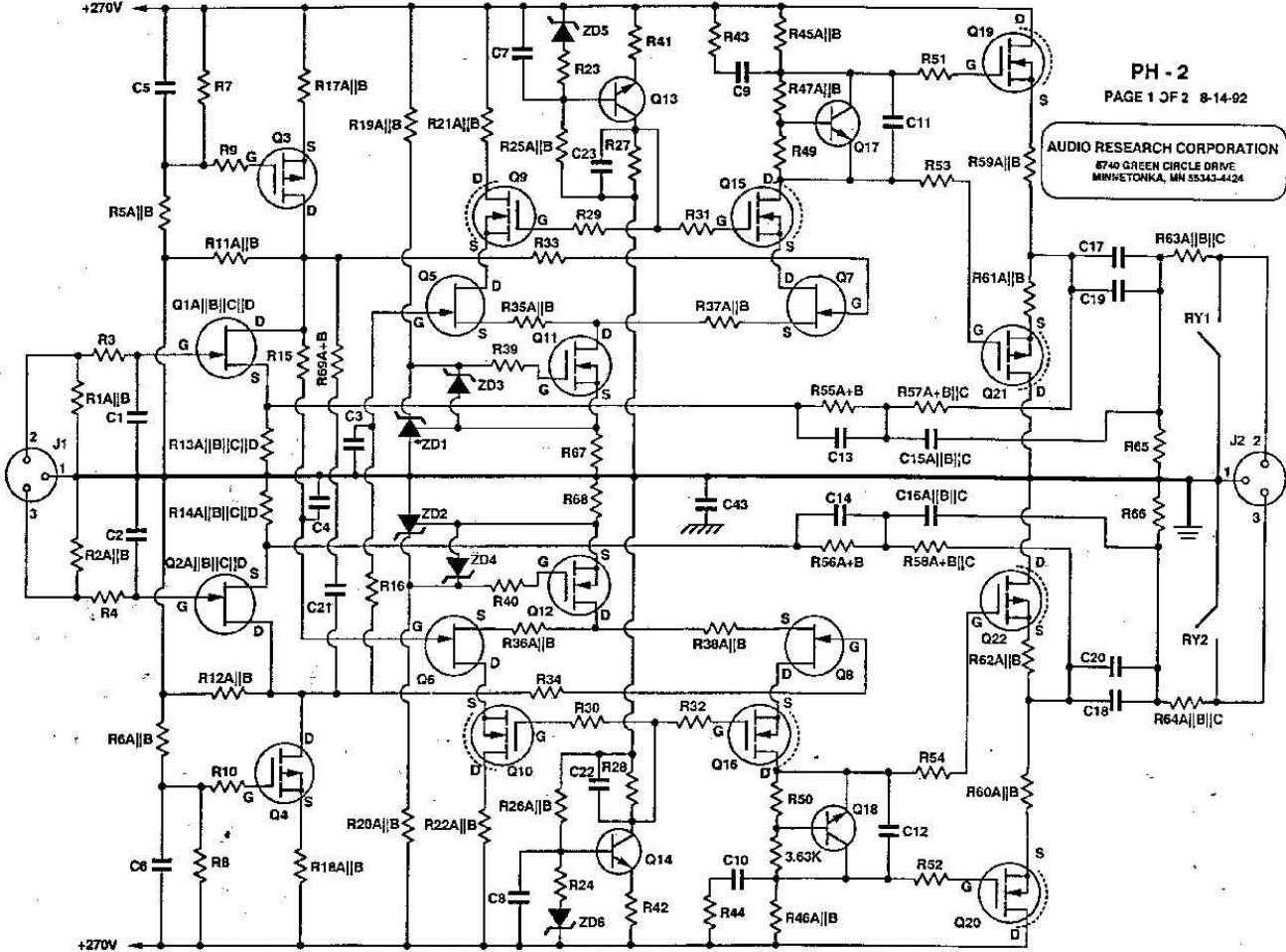


+270V

PH - 2  
PAGE 1 OF 2 8-14-92

AUDIO RESEARCH CORPORATION  
8740 GREEN CIRCLE DRIVE  
MINNETONKA, MN 55343-4424



+270V

# Model PH2 Parts List

Schematic Symbol	Quantity	ARC Part	Description	Schematic Symbol	Quantity	ARC Part	Description
<b>C CAPACITORS</b>				<b>R RESISTORS</b>			
C 1,2,9,10	8	53220201	CAP. 220 PF ±2.5% 630V PPN	R 1A,1B,2A,2B,47B,48B	12	42499403	RES. 49.9K 1% MK-3 50PPM
C 3,4	4	53150202	CAP. 150 PF 2 1/2% 630V PPN	R 3,4,15,16,33,34,59A-62A,69B-62B	29	42100203	RES. 100 OHM 1% MK-3 50PPM
C 5-8,11,12,22,23,28-30,38-40	22	53220507	CAP. .22 UF 10% 160V	R 5A,5B,6A,6B,19A,19B,20A,20B,25A	28	42475503	RES. 475K 1% MK-3 50PPM
C 13,14	4	53960301	CAP. .0096 UF(SEL. 53100412)	R 25B,26A,26B,65,66			
C15,16	4	53220201	CAP. 220 PF ±2.5% 630V PPN	R 7,8	4	42215503	RES. 215K 1% MK-3 50PPM
C 15A,15B,15C,16A,16B,16C	12	53338401	CAP. .0327 UF(FROM 3-53100412)	R 9,10,29-32,39,40,51-54,69A,69B	28	42274103	RES. 27.4 OHM 1% MK-3 50PPM
C 17,18	4	53100412	CAP. .01UF 600V	R 11A,11B,12A,12B,27,28,73	13	42100403	RES. 10K±/-1% MK-3 50PPM
C 19,20	4	53500607	CAP. 5 UF 200V	R 13A-13D,14A-14D	16	42162203	RES. 162 OHM 1% MK-3 50PPM
C 21,43	4	53560201	CAP. 560 PF±/-2.5% 630V	R 17A,17B,18A,18B	8	42274405	RES. 27.4K 1% MK-8 50PPM
C 24	1	52200400	CAP. .02 UF 20% 300VAC/2000VD	R 21A,21B,22A,22B,45A,45B,46A,46B	16	42750405	RES. 75K 1% MK-8 50PPM
C 25,26	2	52500300	CAP. .005 UF 20% CERAMIC DISC	R 23,24,80	5	42100103	RES. 10 OHM 1% MK-3 50PPM
C 27	1	50100908	CAP. 1000 UF 63V	R 35A-38A,35B-38B,43,44	20	42499203	RES. 499 OHM 1% MK-3 50PPM
C 31	1	51330702	CAP. 33 UF±/-10% 16V	R 41,42	4	42182303	RES. 1.82K 1% MK-3 50PPM
C 32,33	2	50100802	CAP. 100 UF 450V	R 47A,47B,55B,56B	8	42392303	RES. 3.92K 1% MK-3 50PPM
C 34,35	2	53100608	CAP. 1.0 UF 1-20% 425V TYPE V	R 49,50,89	5	42332203	RES. 332 OHM 1% MK-3 50PPM
C 36,37,41	3	53100406	CAP. .01 UF±/-10% 630V	R 55A,56A,	4	42402303	RES. 4.02K 1% MK-3 50PPM
C 42	1	53200602	CAP. 2 UF ±/-10% 450V	R 57A,58A,57B,58B	8	42150613	RES. 1.5 MEG 1% MK-4 50PPM
<b>D DIODES</b>				R 57C,58C	4	42127505	RES. 127K 1% MK-8 50PPM
D 1-4	4	30500400	IN4005 GENERAL INSTRUMENT	R 63A-63C,64A-64C	12	42100314	RES. 1K 1% MK-5 50PPM
D 5,8,11,12	4	30500910	IN916B	R 67,88	4	42357203	RES. 357 OHM 1% MK-3 50PPM
D 7-10	4	30502200	IN4009	R 70	1	42100503	RES. 100K±/-1% MK-3 50PPM
<b>F FUSES</b>				R 71	1	42237403	RES. 23.7K 1% MK-3 50PPM
F 1	1	34500250	FUSE, MDQ 8/10 A	R 72	1	42768403	RES. 76.8K 1% MK-3 50PPM
<b>J CONNECTORS</b>				R 74	1	42100603	RES. 1 MEG 1% MK-3 50PPM
J 1	2	23201970	XLR CONNECTOR (Female)	R 75	1	42100703	RES. 10 MEG 1% MK-3 50PPM
J 2	2	23201910	SP15 MIC CONN. CH. MNT. #	R 76	1	42237203	RES. 237 OHM 1% MK-3 50PPM
<b>L INDUCTORS</b>				R 78	1	42100303	RES. 1K 1% MK-3 50PPM
L 1	1	61000170	CHOKER, 5.5 UH	R 81A,81B	2	42200205	RES. 200 OHM±/-1% MK-8 50PPM
<b>LE PANEL INDICATOR</b>				R 82	1	42158513	RES. 158K 1% MK-4 50PPM
LE 1	1	34300102	L.E.D. COLLAR & RETAINING RING	R 83A,83B	2	42392403	RES. 39.2K 1% MK-3 50PPM
<b>Q TRANSISTORS</b>				R 84,85	2	42100505	RES. 100K 1% MK-8 50PPM
Q 1A-1D,2A-2D	16	30006534	FET, WHITE ORANGE YELLOW	R 86	1	42499303	RES. 4.99K 1% MK-3 50PPM
Q 3,4,21,22	8	30009901	FET, GREEN VIOLET	R 87A	1	42255403	RES. 25.5K 1% MK-3 50PPM
Q 5-8	8	30006602	FET, VIOLET RED	R 87B	1	42357403	RES. 35.7K 1% MK-3 50PPM
Q 9,10,15,16,19,20,24	13	30006761	FET, ORANGE YELLOW BROWN	R 88	1	42280513	RES. 280K 1% MK-4 50PPM
Q 11,12	4	30007901	FET, RED ORANGE	R 90	1	43100002	RES. 1 OHM 2W 5% W.W.
Q 13,14	4	30010000	2SA1306	<b>RY RELAYS</b>			
Q 17,18	4	30003100	TRANSIST.,2N5069,2N5209,2N5210	RY 1,2	4	64101000	RELAY, 12V REED S1P 1200 OHM
Q 23	1	30002800	TRANSISTOR,2N4401	<b>SW SWITCHES</b>			
				SW 1,2	2	24100730	TOGGLE SWITCH SILVER, SATIN
				<b>T TRANSFORMERS</b>			
				T 1	1	80007700	XFR. SP9/14 (120V) TOROID
				<b>U INTEGRATED CIRCUITS</b>			
				U 1	1	31002900	MC 7812 CT MOTOROLA
				U 2,3	2	31000901	TIMER
				U 4	1	31002200	MC34071P
				<b>ZD ZENER DIODES</b>			
				ZD 1,2	4	31002600	ZENER DIODE, TL431CLP ADJ
				ZD 3,4,7	5	30500300	IN4740A
				ZD 5,8,9,10	8	31000705	LM329DZ GREEN
				ZD 8	1	30504210	IN5535A (KNOX ONLY)
				ZD 11	1	30503500	IN5359 B